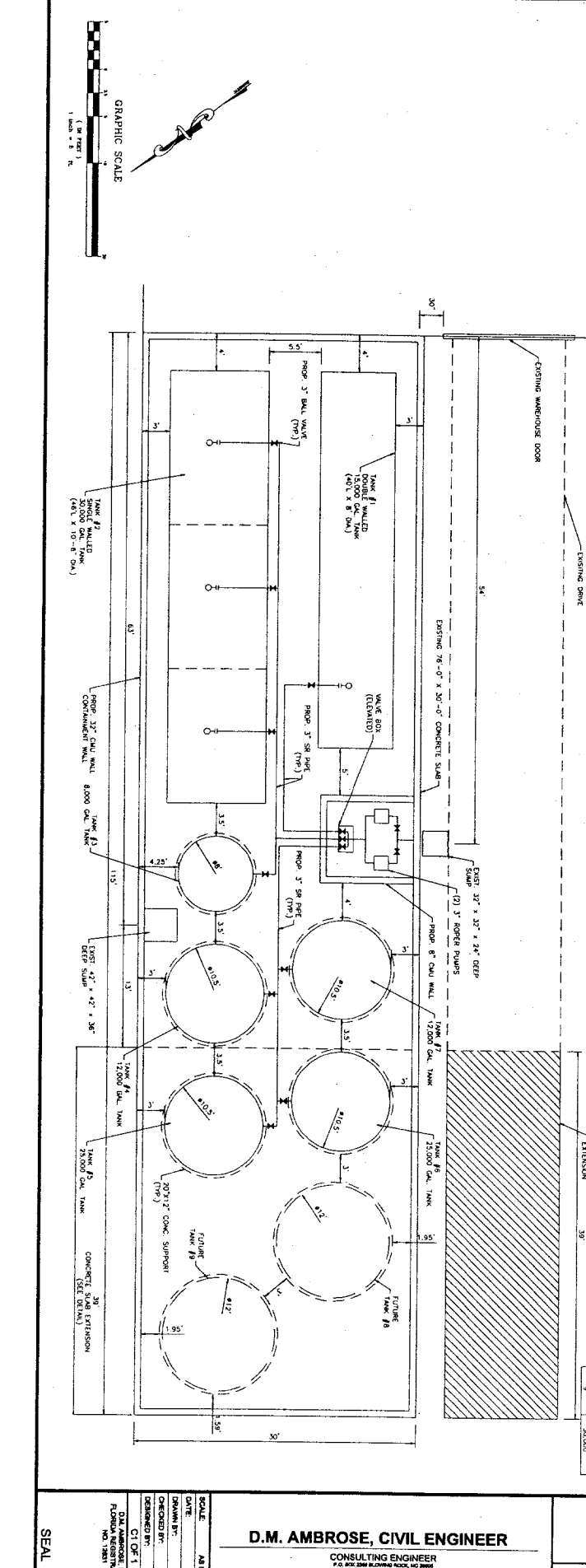
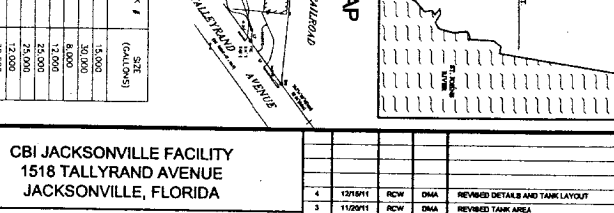
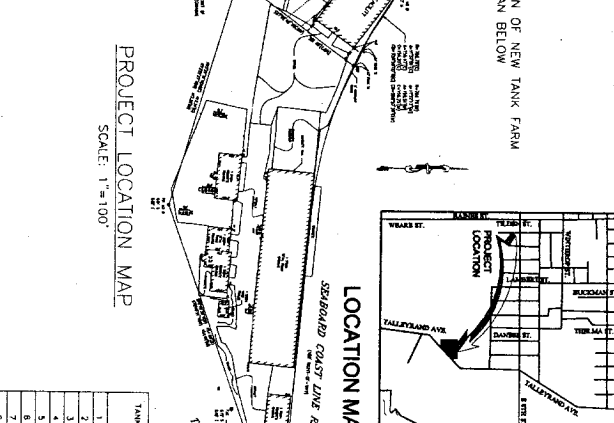
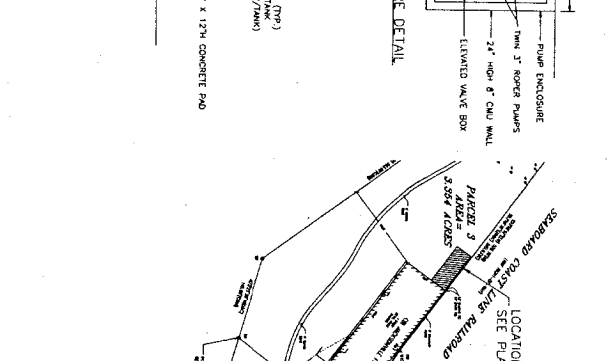
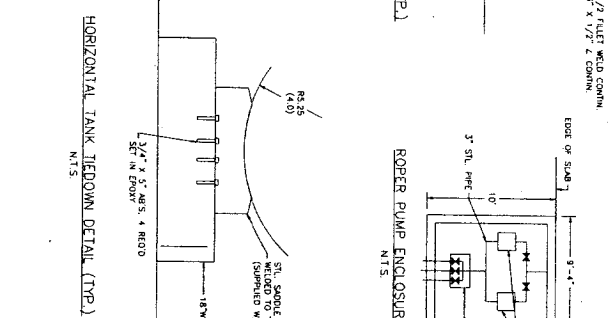
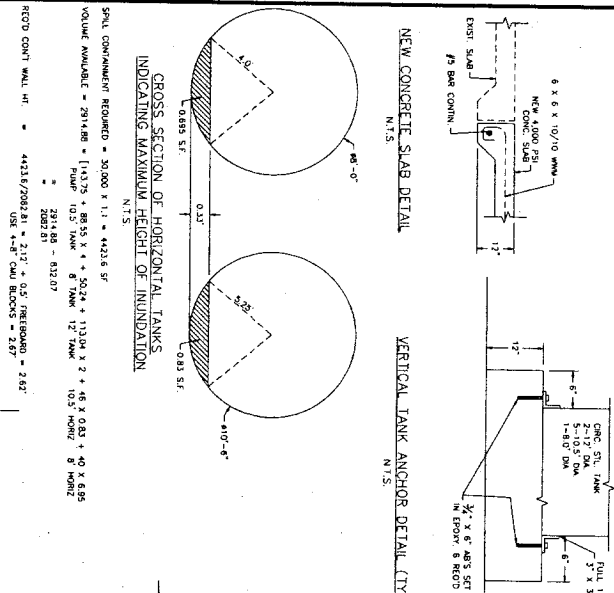
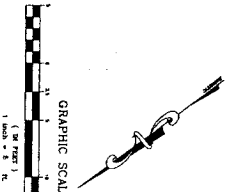


**ATTACHMENT NO. 4**



**PROJECT LOCATION MAP**  
SCALE: 1"=100'

TANK #	SIZE (GAL CAP)
1	15,000
2	30,000
3	6,000
4	17,000
5	25,000
6	17,000
7	17,000
8	30,000

**D.M. AMBROSE, CIVIL ENGINEER**  
CONSULTING ENGINEER  
P.E. STATE OF FLORIDA LICENSE NO. 12345

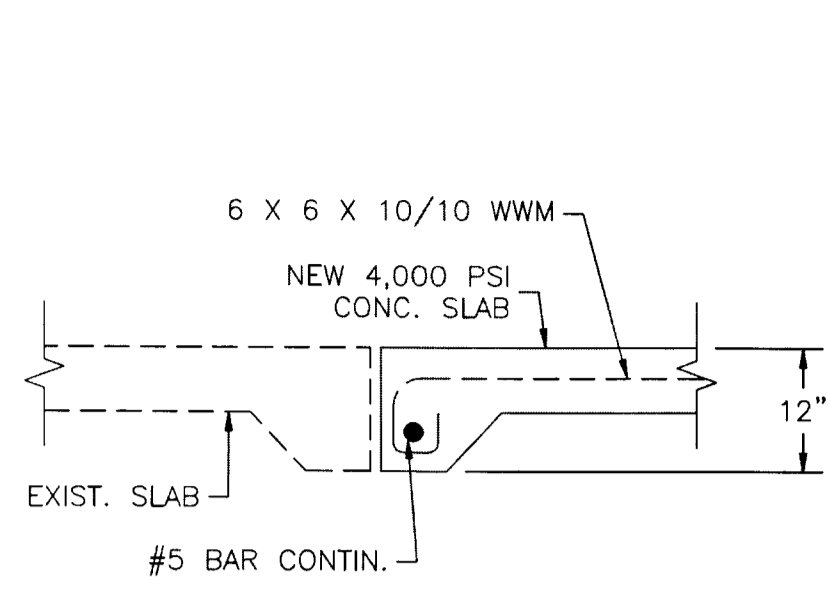
**CBI JACKSONVILLE FACILITY**  
1518 TALLYRAND AVENUE  
JACKSONVILLE, FLORIDA

**AS-BUILT TANK LAYOUT PLAN**

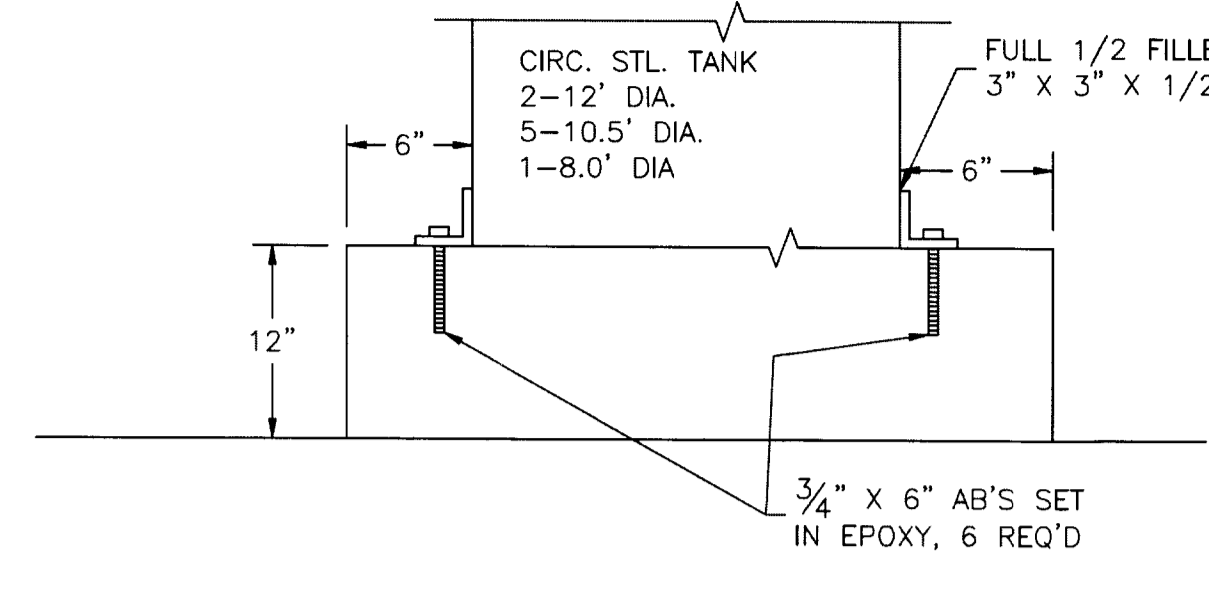
NO	DATE	BY	CHKD	REV	REVISIONS
1	12/18/11	RCW	DMA		REVISED DETAILS AND TANK LAYOUT
2	11/29/11	RCW	DMA		REVISED TANK AREA
3	11/29/11	RCW	DMA		REVISED TANK DESIGNATIONS
4	12/07/11	RCW	DMA		REVISED TANK DESIGNATIONS

SCALE: AS NOTED  
DATE: AS NOTED  
DRAWN BY: BMDW  
CHECKED BY: DMA  
DESIGNED BY: DMA  
C.I. OF: 1  
D.M. AMBROSE, P.E.  
FLORIDA REGISTRATION NO. 12345

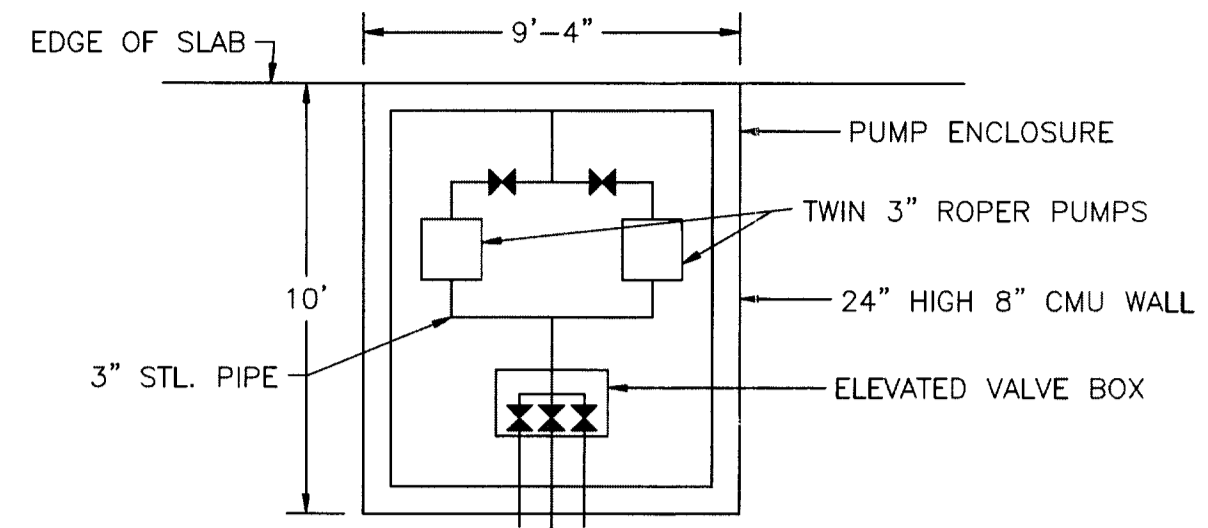
**SEAL**



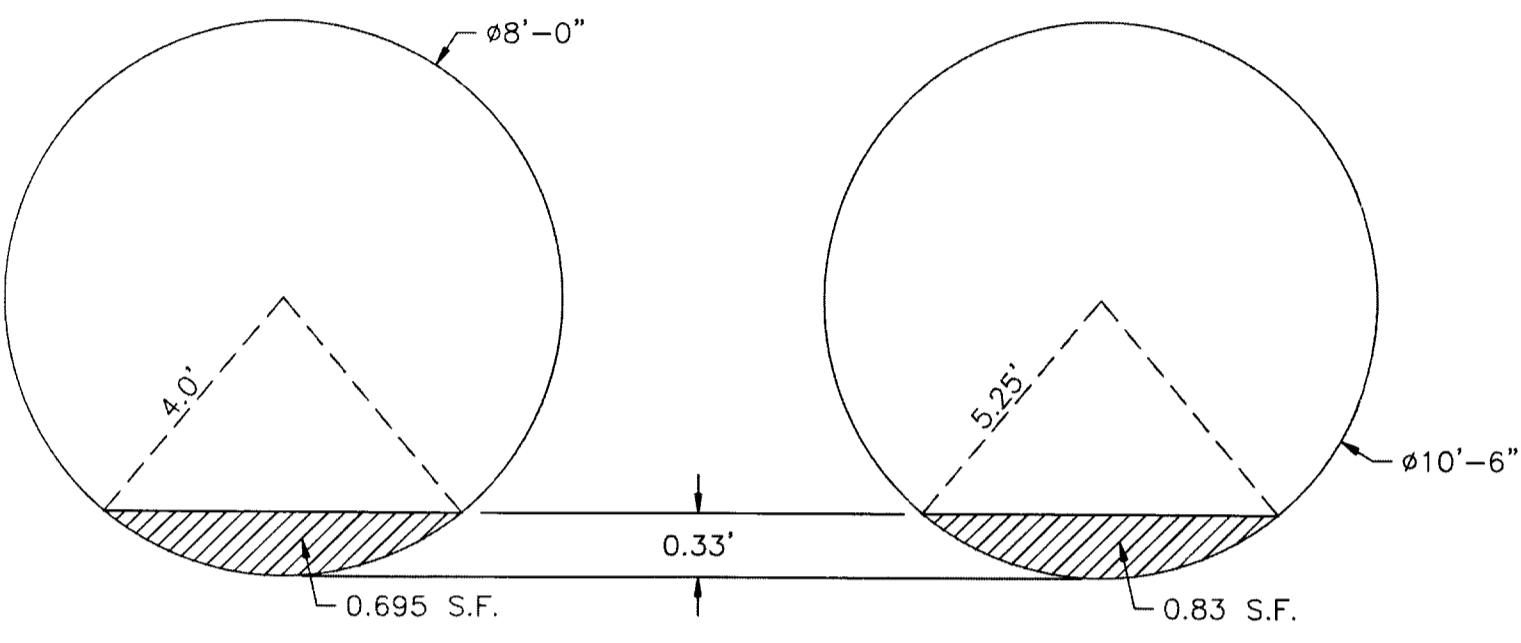
NEW CONCRETE SLAB DETAIL  
N.T.S.



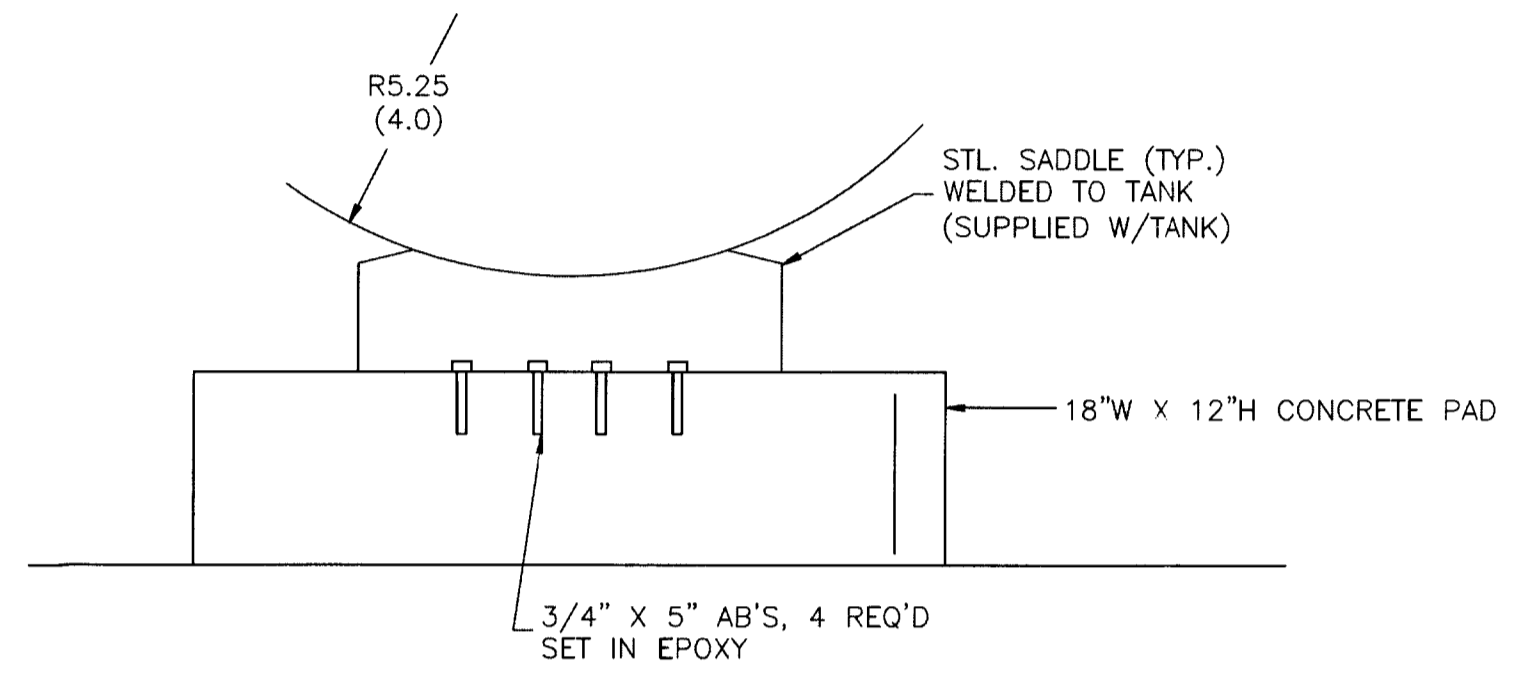
VERTICAL TANK ANCHOR DETAIL (TYP.)  
N.T.S.



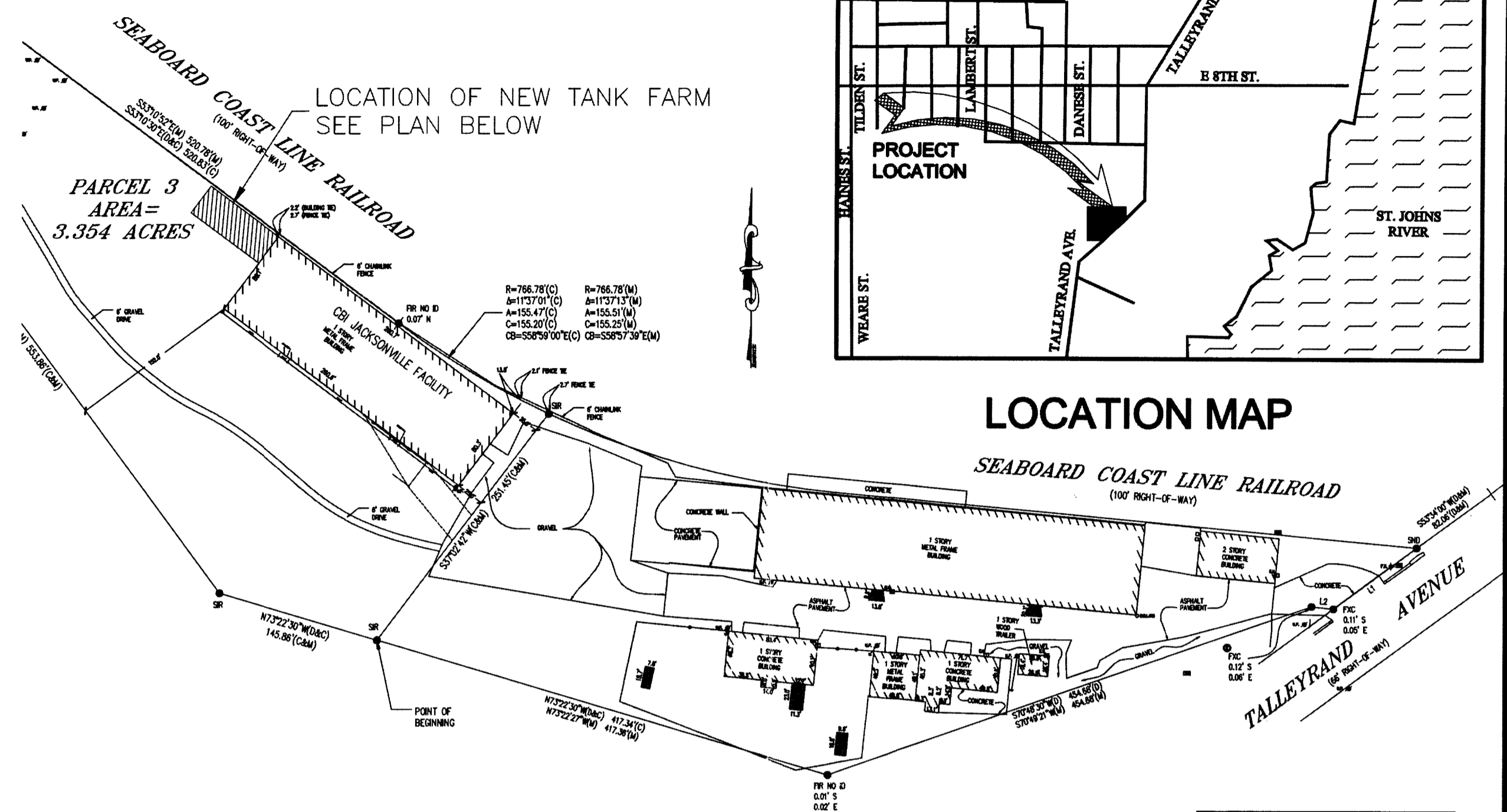
ROPER PUMP ENCLOSURE DETAIL  
N.T.S.



CROSS SECTION OF HORIZONTAL TANKS  
INDICATING MAXIMUM HEIGHT OF INUNDATION  
N.T.S.



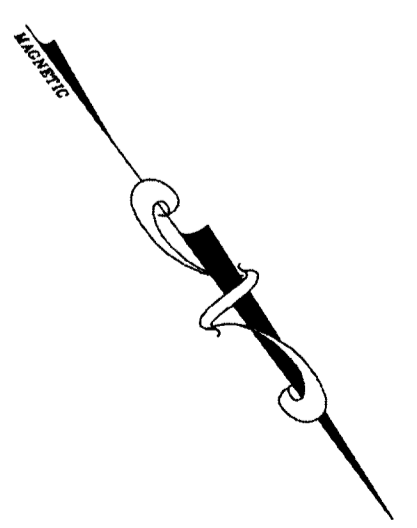
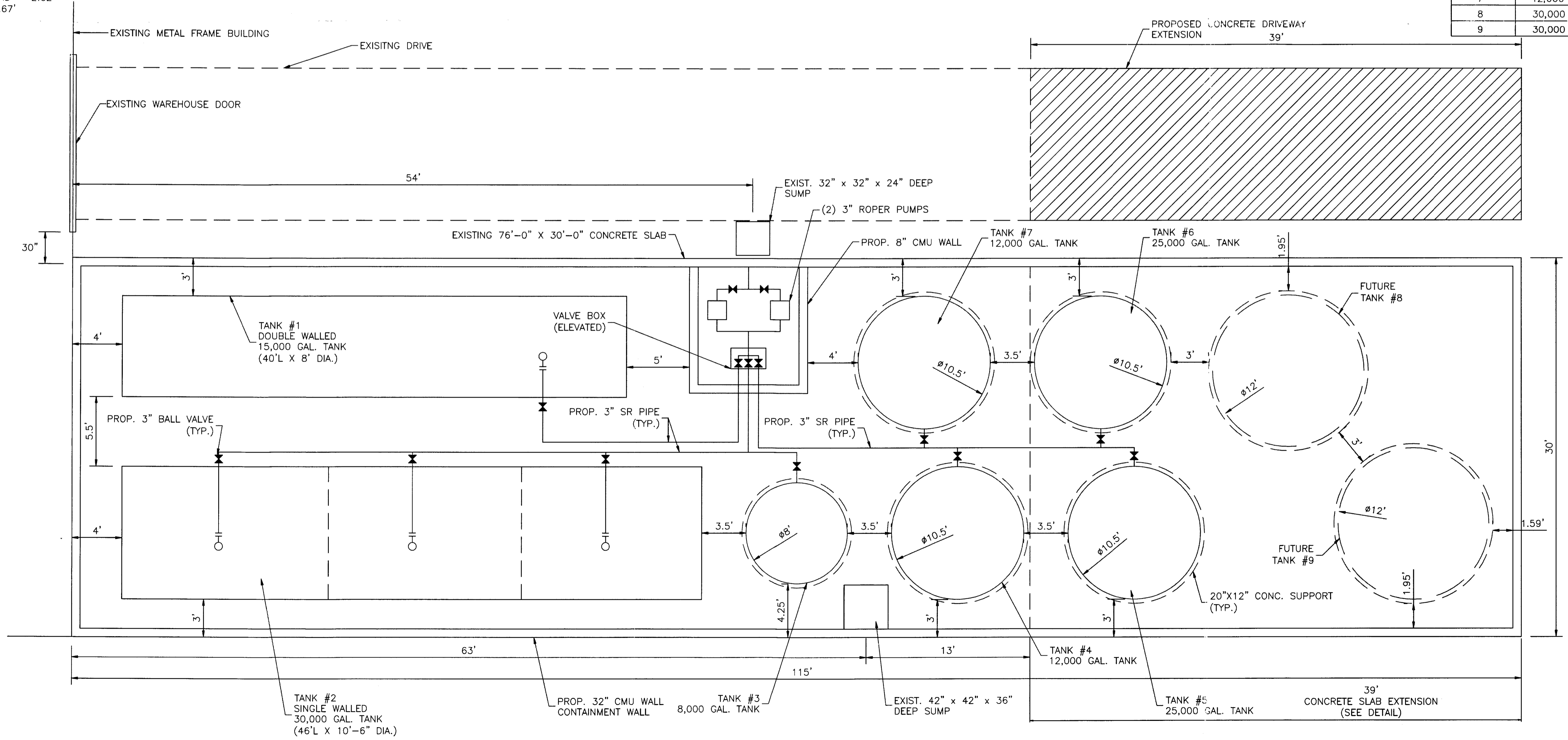
HORIZONTAL TANK TIEDOWN DETAIL (TYP.)  
N.T.S.



PROJECT LOCATION MAP  
SCALE: 1"=100'

TANK #	SIZE (GALLONS)
1	15,000
2	30,000
3	8,000
4	12,000
5	25,000
6	25,000
7	12,000
8	30,000
9	30,000

SPILL CONTAINMENT REQUIRED = 30,000 X 1.1 = 4423.6 SF  
 VOLUME AVAILABLE = 2914.88 = [143.75 + 88.55 X 4 + 50.24 + 113.04 X 2 + 46 X 0.83 + 40 X 6.95]  
 PUMP 10.5' TANK 8' TANK 12' TANK 10.5' HORIZ 8' HORIZ  
 = 2914.88 - 832.07  
 = 2082.81  
 REQ'D CON'T WALL HT. = 4423.6/2082.81 = 2.12' + 0.5' FREEBOARD = 2.62'  
 USE 4-8" CMU BLOCKS = 2.67'



GRAPHIC SCALE  
( IN FEET )  
1 inch = 5 ft

NO	DATE	BY	CRD	REVISIONS
4	12/15/11	RCW	DMA	REVISED TANK AND TANK LAYOUT
3	11/20/11	RCW	DMA	REVISED TANK AREA
2	9/10/08	RCW	DMA	REVISED TANK DESIGNATIONS
1	12/7/07	RCW	DMA	REVISED TANK DESIGNATIONS

CBI JACKSONVILLE FACILITY  
1518 TALLYRAND AVENUE  
JACKSONVILLE, FLORIDA

PROPOSED TANK LAYOUT PLAN

D.M. AMBROSE, CIVIL ENGINEER  
CONSULTING ENGINEER  
P.O. BOX 2388 BLOWING ROCK, NC 28605  
PHONE: 828-356-6144 FAX: 828-356-0344

SCALE: AS NOTED  
DATE: 9/8/06  
DRAWN BY: RCW  
CHECKED BY: DMA  
DESIGNED BY: DMA

C1 OF 1  
D.M. AMBROSE, P.E.  
FLORIDA REGISTRATION NO. 12831

SEAL

DATE: Jan 09, 2012 - 8:21pm C:\Users\Rob\Desktop\Drawings\Work\DDMA\DCBI\_Jacksonville\DCPC-ENG.dwg