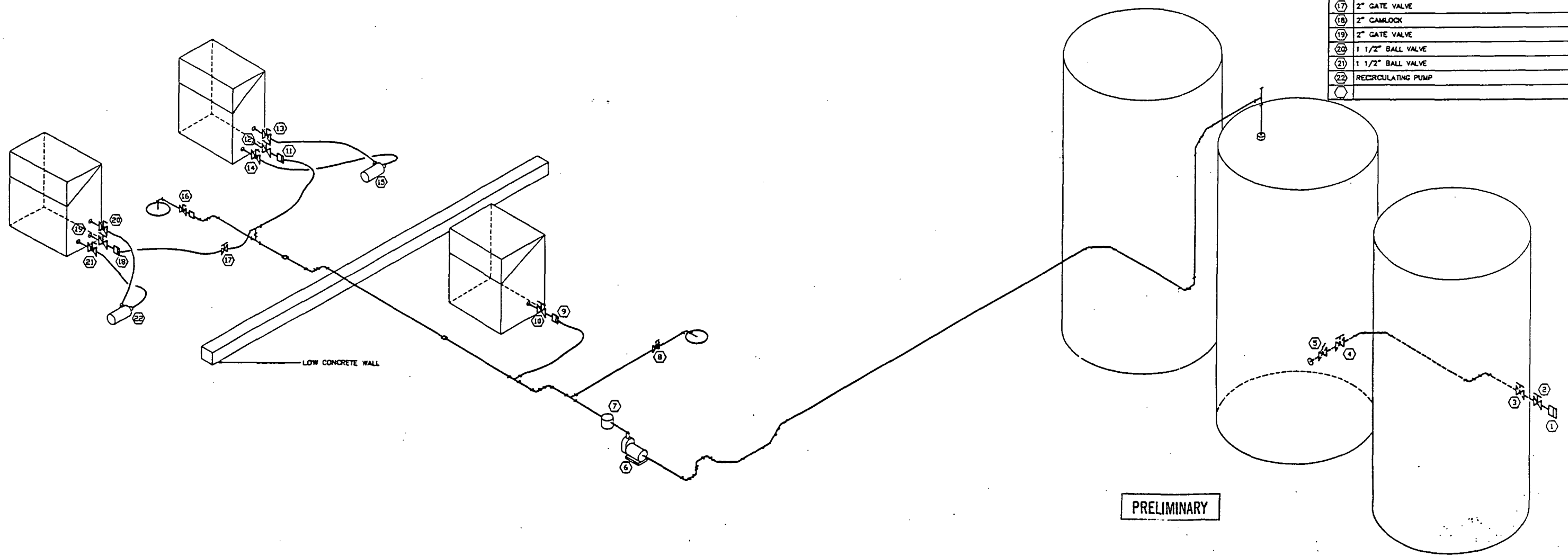


GENERAL NOTES

THIS DRAWING CONTAINS INFORMATION PROPRIETARY TO SAFETY-KLEEN CORPORATION. ANY REPRODUCTION, DISCLOSURE OR USE OF THIS DRAWING IS EXPRESSLY PROHIBITED EXCEPT BY SAFETY-KLEEN OR AS SAFETY-KLEEN MAY AGREE IN WRITING.

EQUIPMENT SCHEDULE

MARK	DESCRIPTION
①	3" CAMLOCK
②	3" GATE VALVE
③	3" CHECK VALVE
④	3" GATE VALVE
⑤	3" INTERNAL EMERGENCY GATE VALVE
⑥	USED SOLVENT PUMP
⑦	STRAINER ASSEMBLY
⑧	2" BALL VALVE
⑨	2" CAMLOCK
⑩	2" GATE VALVE
⑪	2" CAMLOCK
⑫	2" GATE VALVE
⑬	1 1/2" BALL VALVE
⑭	1 1/2" BALL VALVE
⑮	RECIRCULATING PUMP
⑯	2" BALL VALVE
⑰	2" GATE VALVE
⑱	2" CAMLOCK
⑲	2" GATE VALVE
⑳	1 1/2" BALL VALVE
㉑	1 1/2" BALL VALVE
㉒	RECIRCULATING PUMP



						TITLE					
						USED SOLVENT PIPING ISOMETRIC					
						SAFETY-KLEEN CORP. <small>777 286 THREE RD. ELGIN, ILLINOIS 60120 PHONE 708-477-8444</small>					
SCALE		BY		OWN		P.E. APPR		OP. APPR		DATE	
N. T. S.		M.P.		-		-		-		12-19-90	
NO.						SERVICE CENTER LOCATION					
DESCRIPTION						ORANGE PARK, FL					
BY						SC-010-REV NO.					
CHK						307901-2000-00					
APPR											
DATE											
REVISIONS											