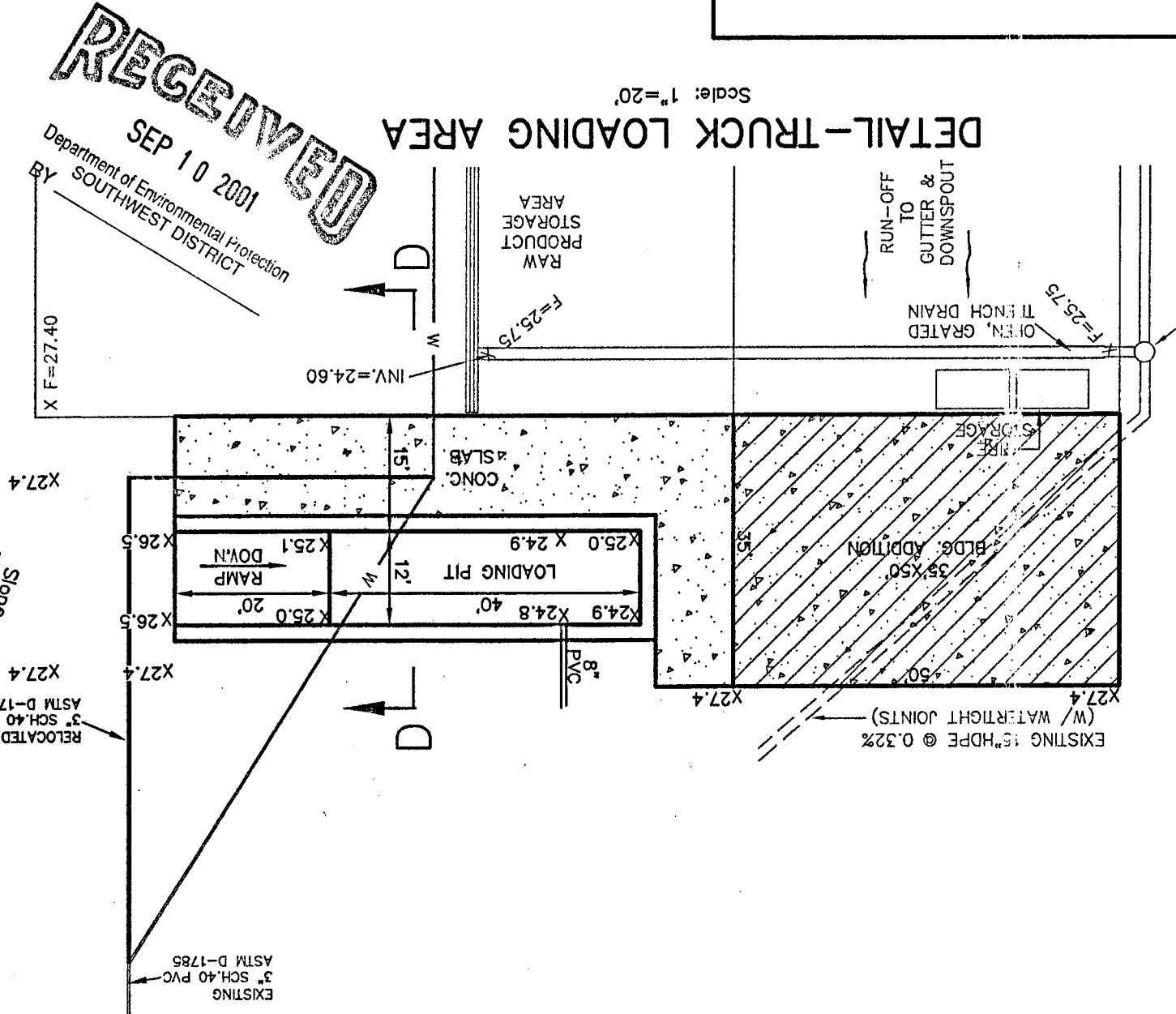
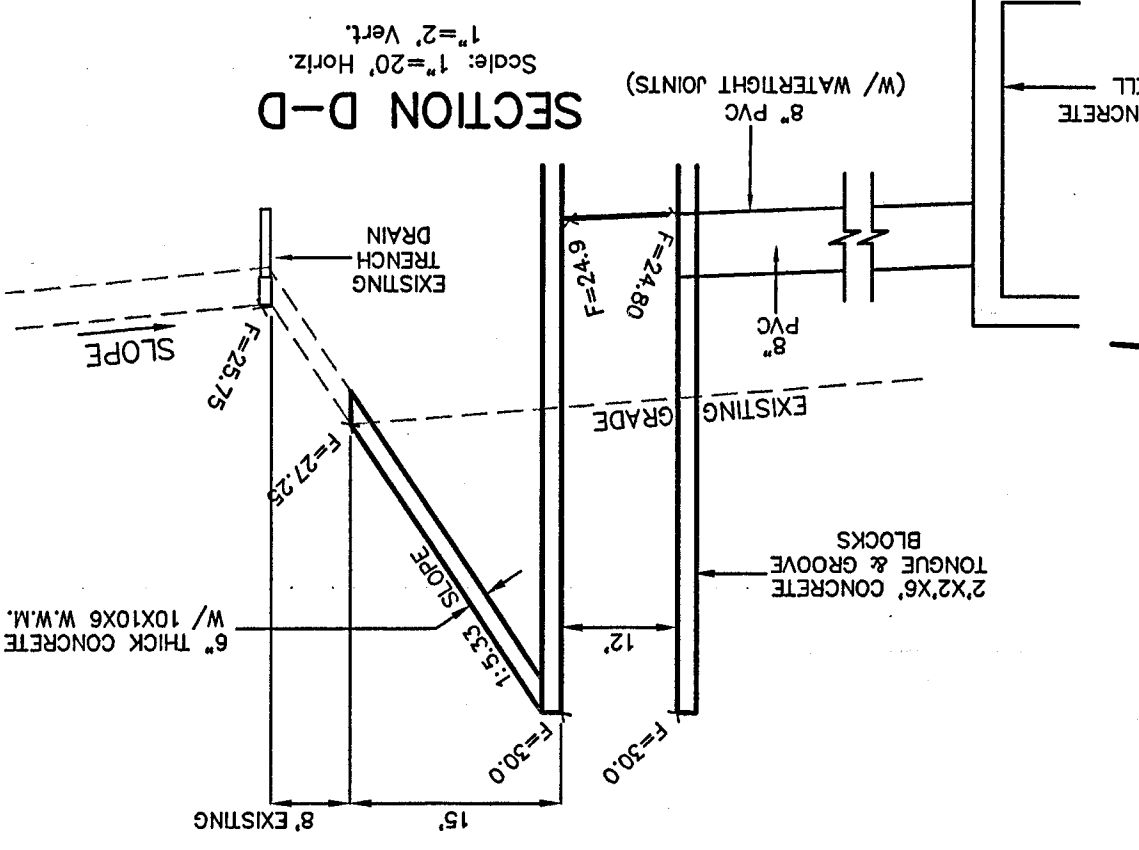
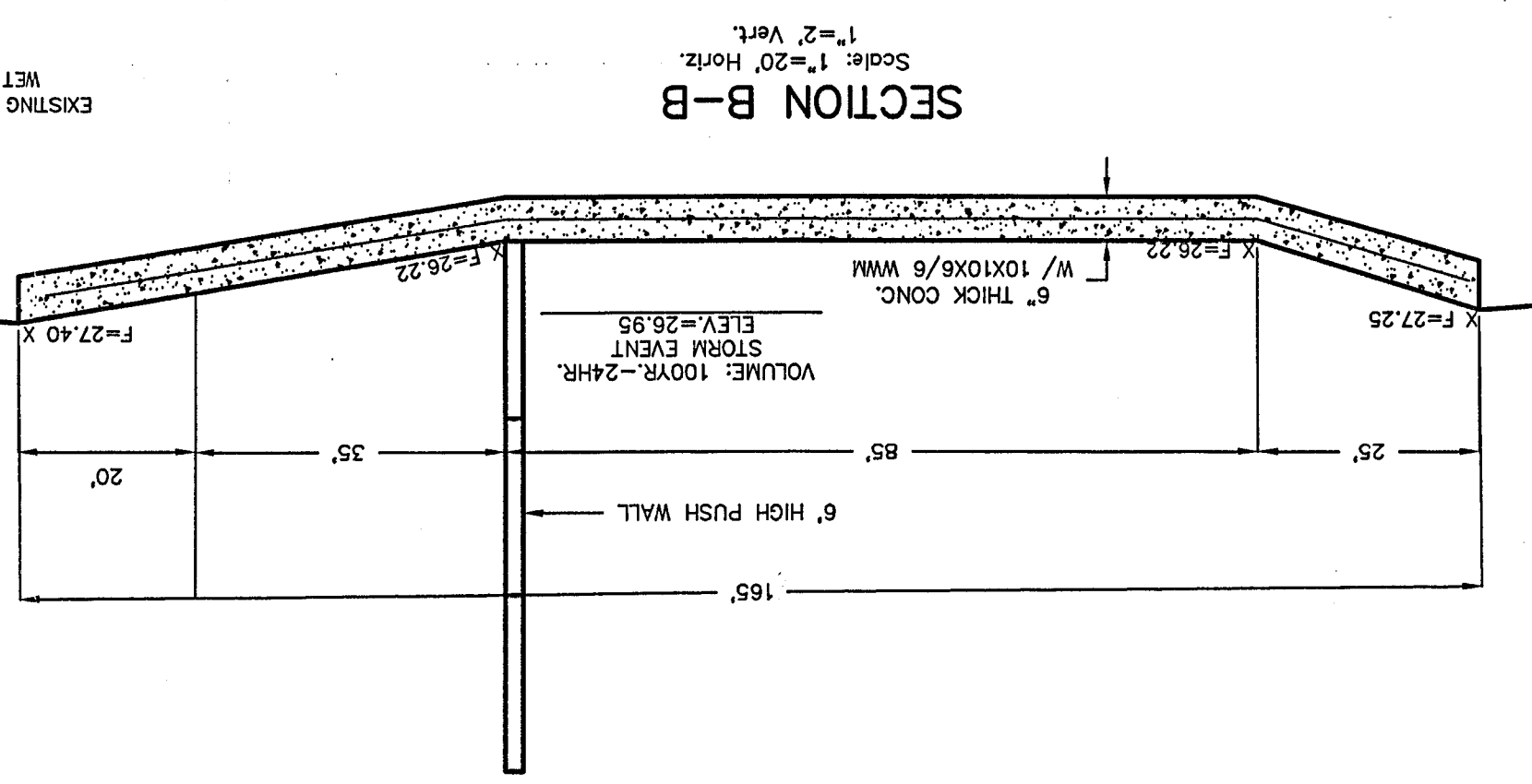
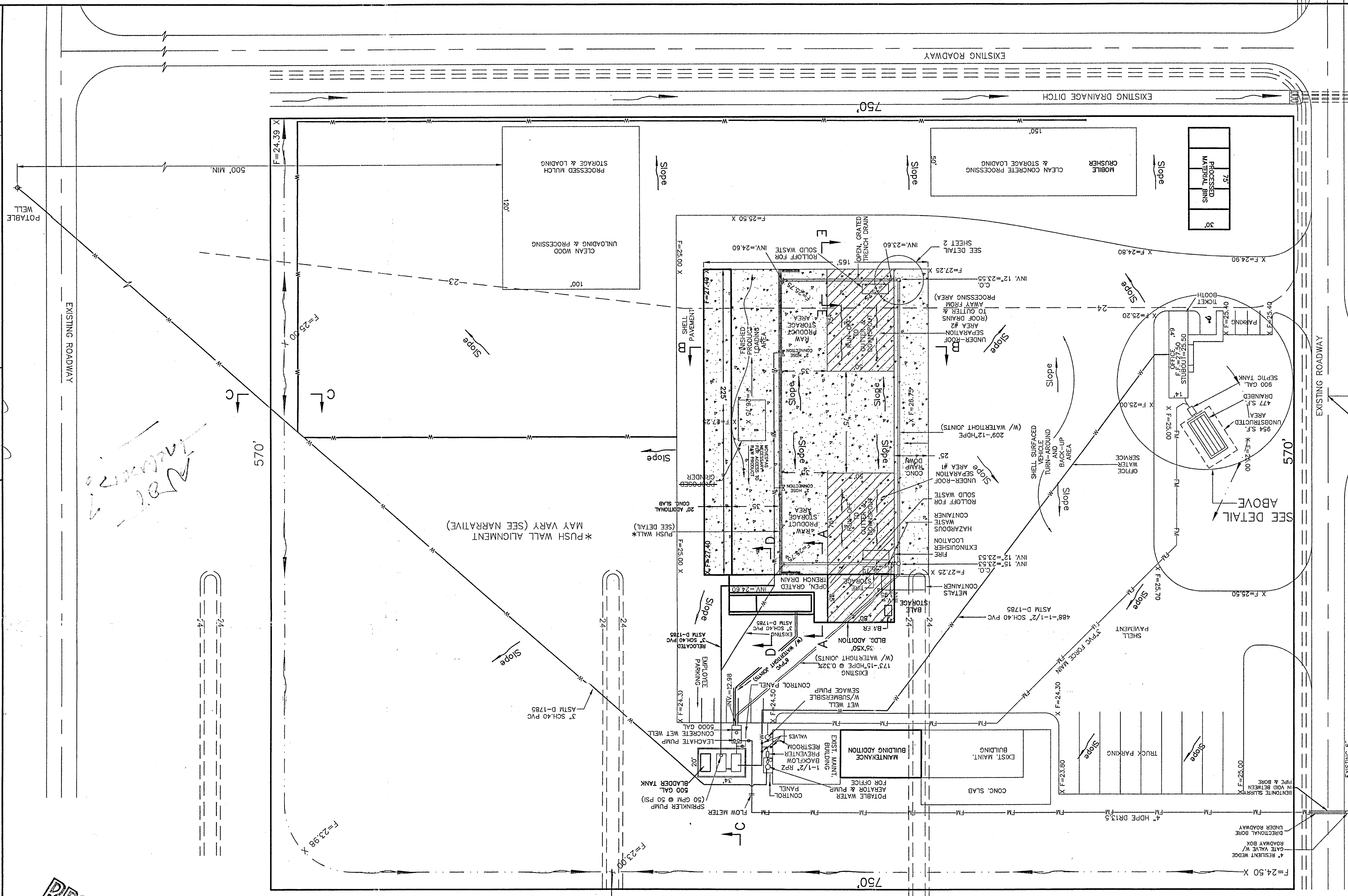
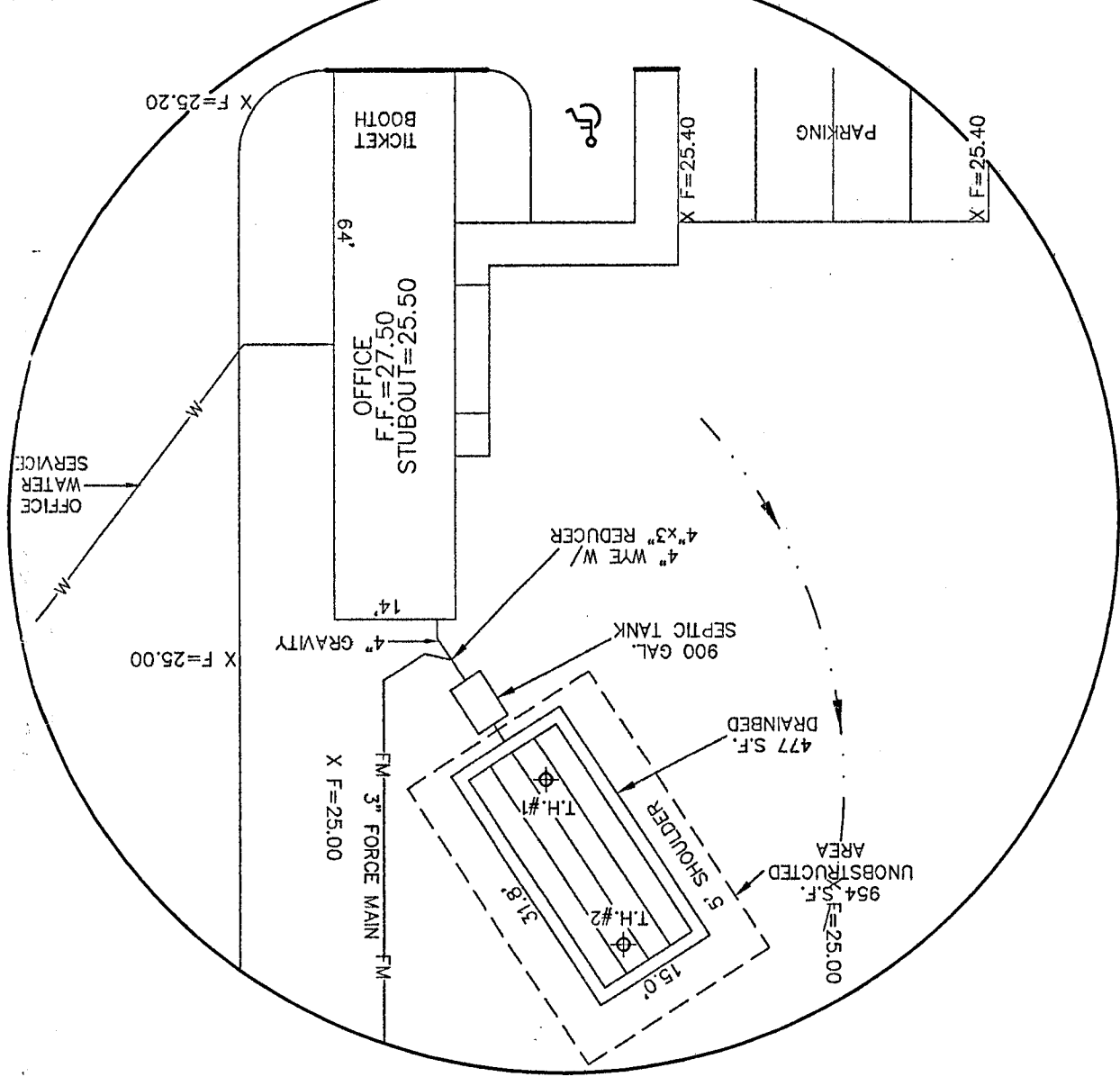
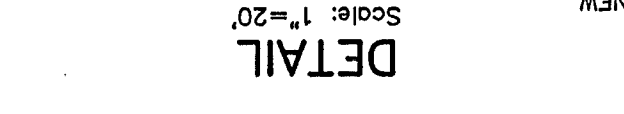
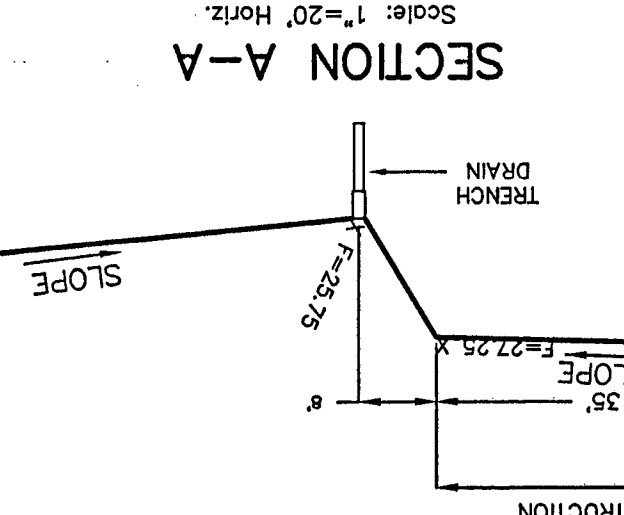
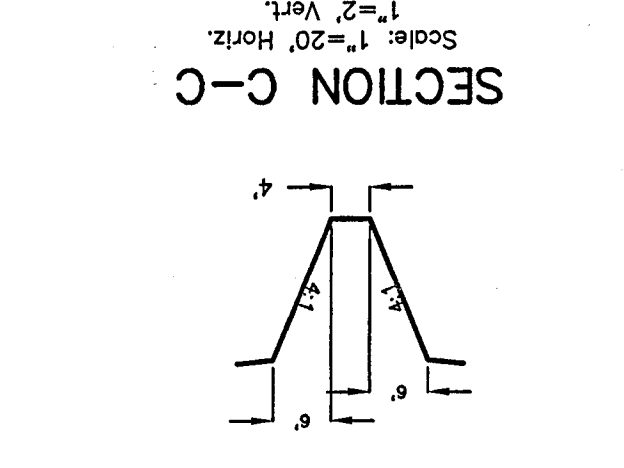
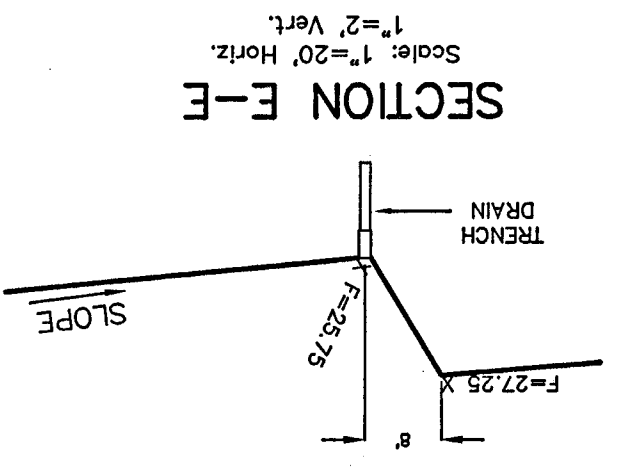
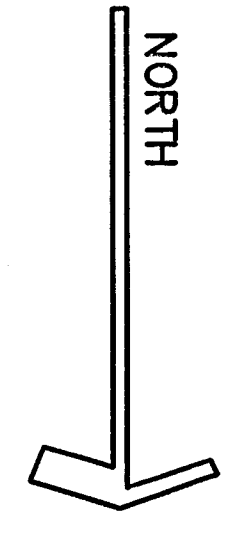
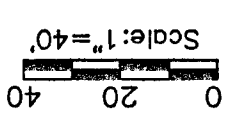


LEGEND:  
 X F=1:20 Indicates a Proposed Finish Elevation  
 Indicates Roof Area  
 Indicates Leachate Control Area



REV. 8/18/98  
 REV. 8/26/98  
 REV. 8/27/98  
 REV. 9/8/98  
 REV. 5/23/01

DATE: 5/17/98  
 LAMARCE R. WEBER  
 FLORIDA CERT. NO. 706993

C & D RECYCLING FACILITY SOLID WASTE MANAGEMENT  
 SARASOTA COUNTY LANDFILL  
 SITE PLAN  
 Sarasota County, Florida

WEBER ENGINEERING & SURVEYING, INC.  
 3932 Swift Road, Suite A, Sarasota, Florida 34231  
 Telephone (941) 921-9914  
 Surveying & Mapping Business Authorization No. IB 4010  
 Engineering Business Authorization No. EB 4010  
 Drawn By: CDJ Checked By: [Signature]  
 Date: 5/17/98 Scale: 1"=40' Job # 970417 Dwg. # D-11796.3