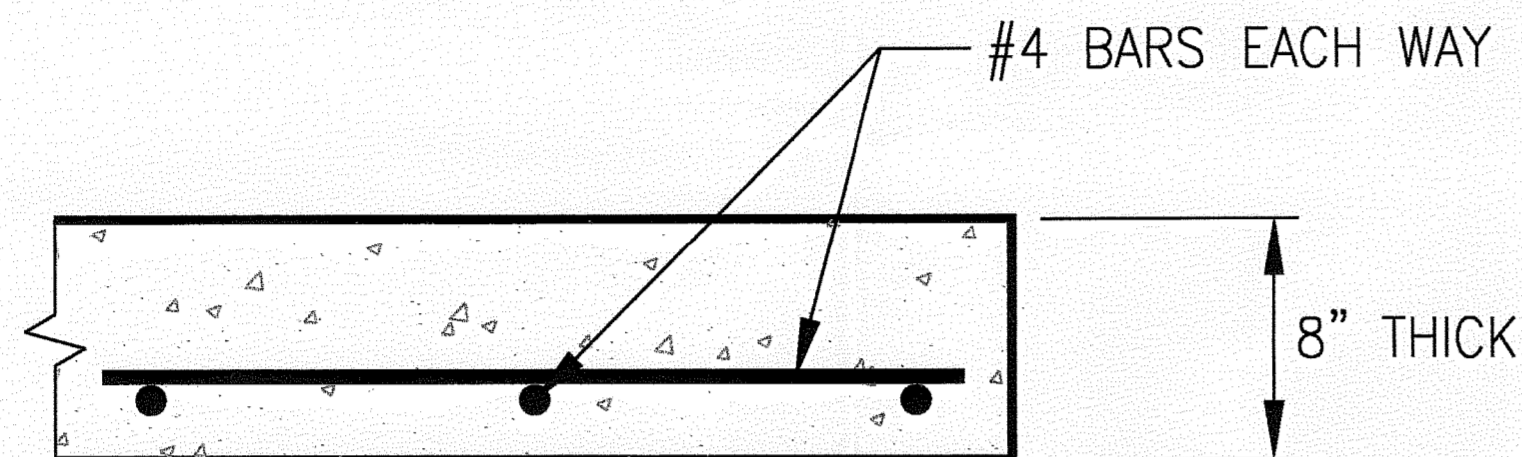


NOTES:

1. #4 REBARS @ 12" O.C. EACH WAY
2. 3,000 PSI CONCRETE @28 DAYS
3. WIDTH AND LENGTH DIMENSIONS TO BE DETERMINED IN FIELD TO ACCOMMODATE PUMP TRAILER ACTUAL SIZE.



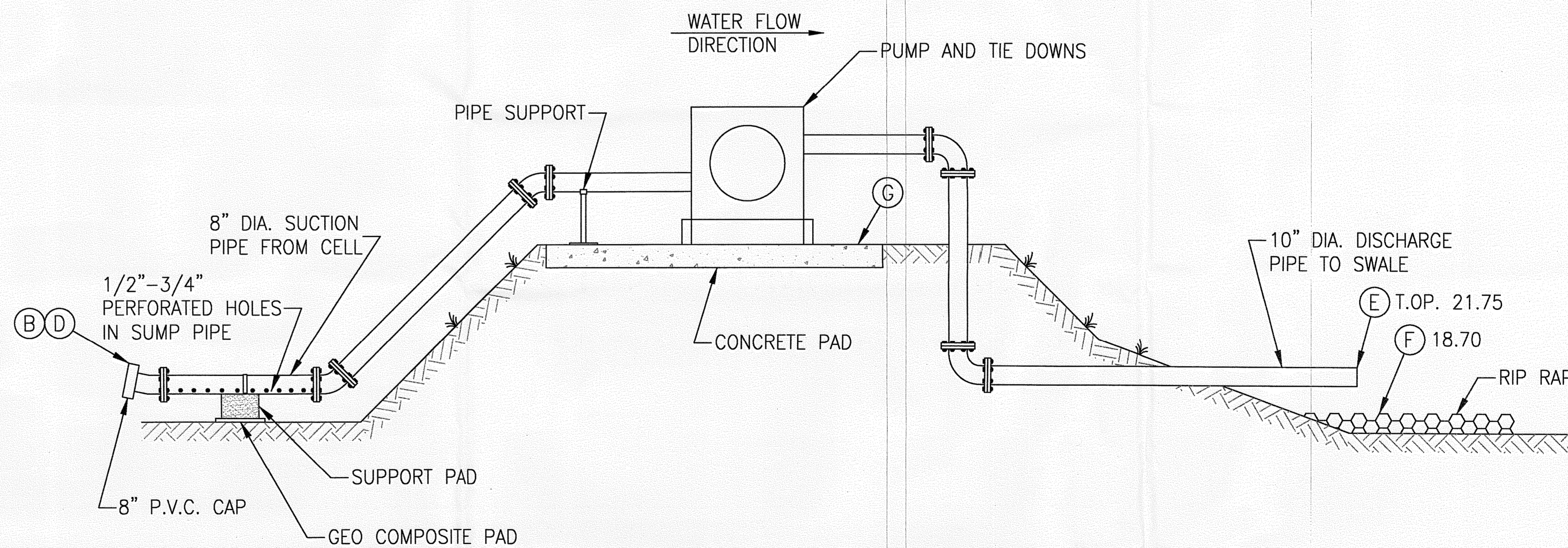
CONCRETE PUMP PAD

N.T.S.

SUCTION PUMP DETAIL—CELLS 3 & 4

ITEM DESCRIPTION	NORTHERLY COORDINATES	EASTERLY COORDINATES	T.O.P. ELEV.
A 10" 90° BEND	1043869	527741	34.01
B END OF 8" PIPE (CELL 4)	1043815	527738	25.01
C 10"x 10"x 8" TEE	1043866	528148	34.32
D END OF 8" PIPE (CELL 3)	1043813	528147	24.11
E 10" DISCHARGE PIPE (N. END)	1043913	528166	21.75
F DITCH BOTTOM AT DISCHARGE	1043918	528166	18.70
G PUMP PAD	- - -	- - -	33.79

REFERENCE FIELD BOOK 509 PAGE 75
 ELEVATIONS NGVD 29 BASED ON SARCO BM 363 = 15.26
 SEE SHEET C-01B FOR LOCATIONS



SUCTION PUMP DETAIL

N.T.S.

FLORIDA DEPARTMENT OF ENVIRONMENTAL PROTECTION
 APR 13 2010
 SOUTHWEST DISTRICT
 TAMPA

1	ADDED RECORD INFORMATION	GC	4/05/10

REVISIONS

RECORD DRAWING
APRIL 2010

THE RECORD DRAWING IS BASED ON INFORMATION FURNISHED BY THE CONTRACTOR AND REPRESENTS THE WORK TO THE BEST OF OUR KNOWLEDGE AND BELIEF

DRAWN BY: GC
 DESIGNED BY: JG
 CHECKED BY: JG
 DESIGN ENGINEER: SA

SCALE: N.T.S.
 DATE: DECEMBER 2009
 ACCT.# 95222

SARASOTA COUNTY GOVERNMENT
 CAPITAL MANAGEMENT SERVICES
 1001 SARASOTA CENTER BLVD.
 SARASOTA, FLORIDA 34240

CENTRAL COUNTY SOLID WASTE DISPOSAL COMPLEX
PHASE II

CELLS 3 & 4
RAIN COVER
DEWATERING SYSTEM

ENGINEER OF RECORD
 SPENCER L. ANDERSON
 FLORIDA P.E. #64032

PROJECT NO. 95222

C-01C
 SHEET

CCSWDC-01C.DWG 4/05/10