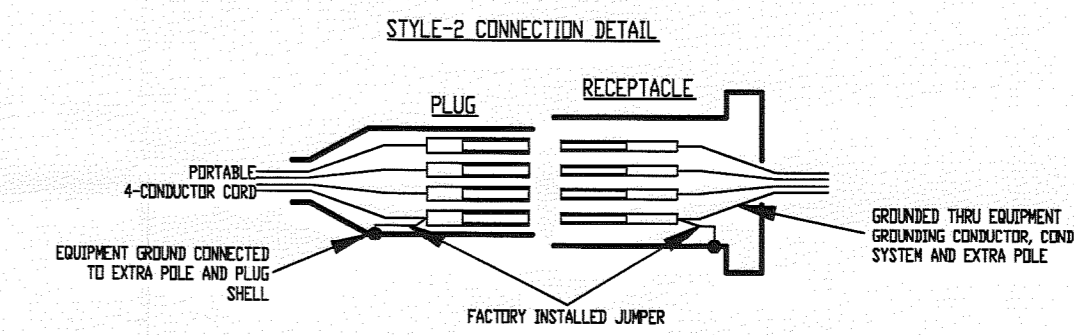
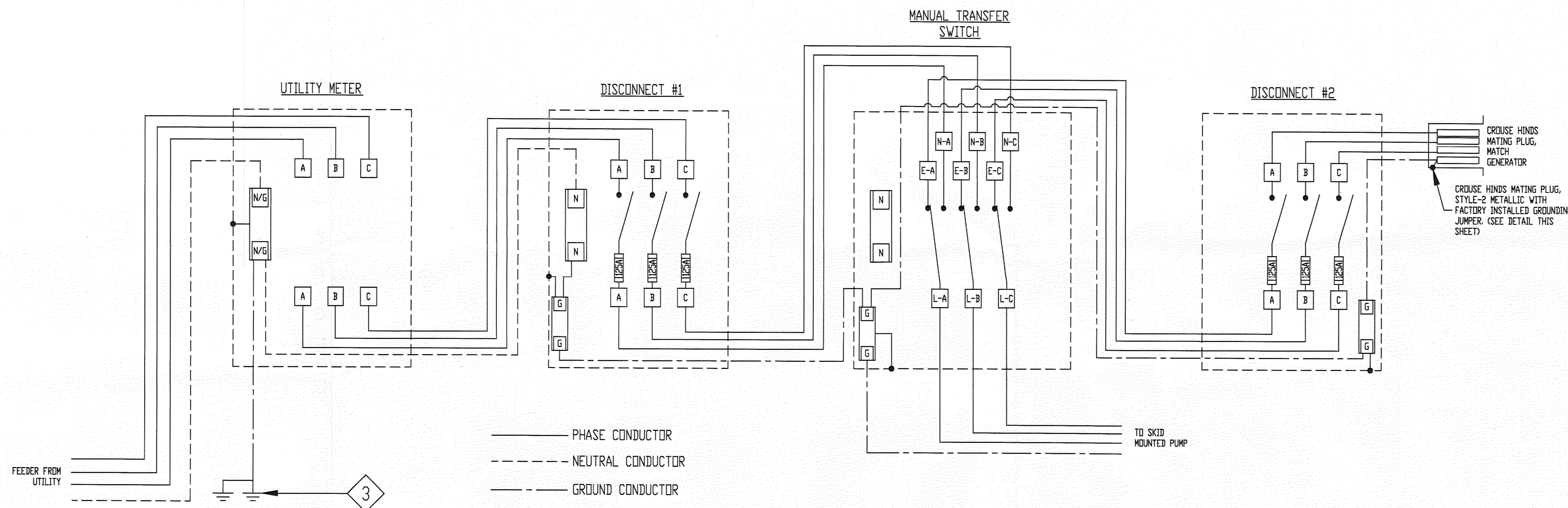
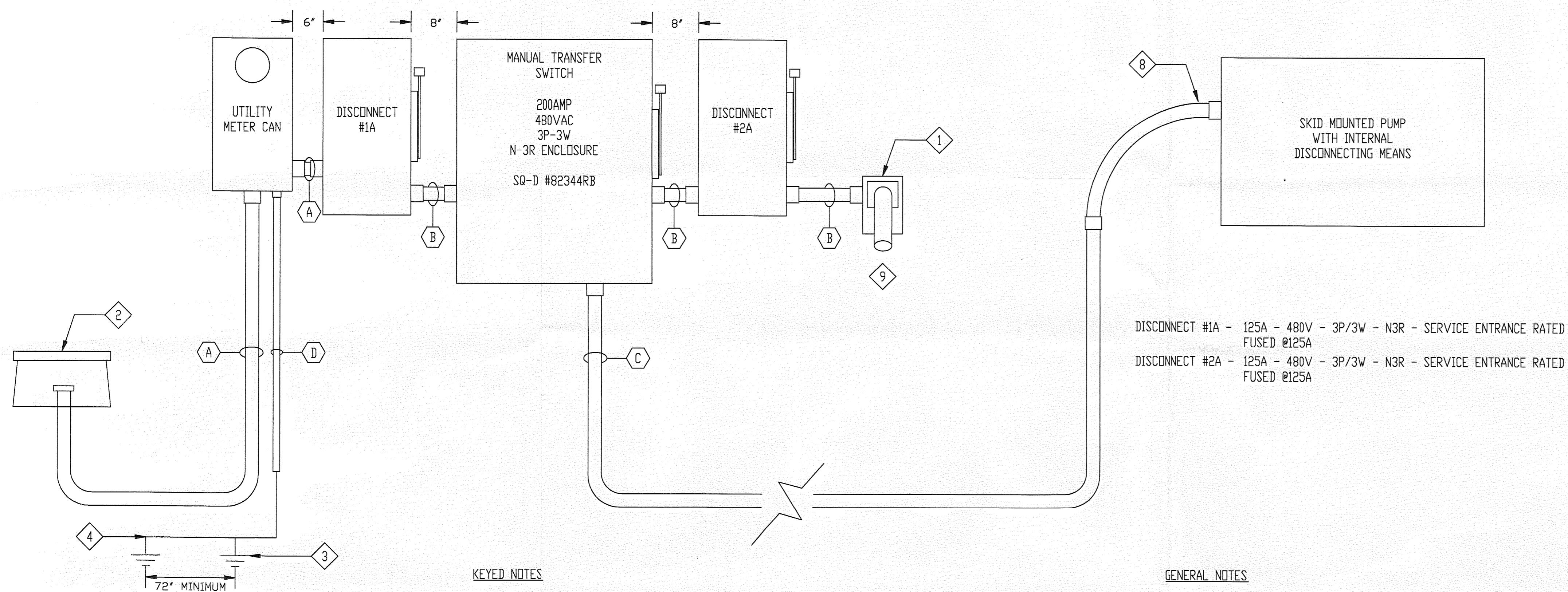


LINE DIAGRAM



RISER DIAGRAM



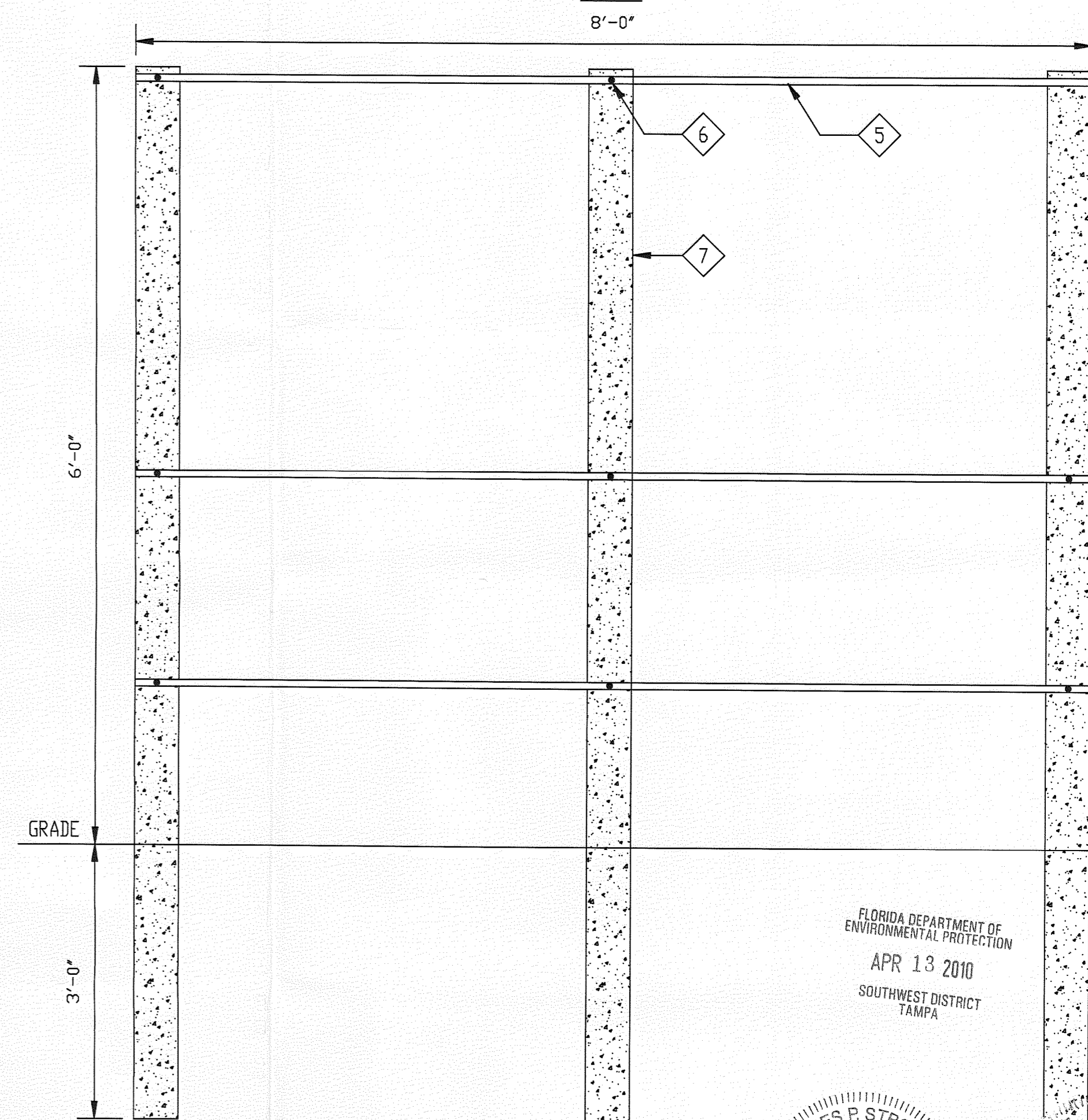
KEYED NOTES

- A 1-1/2" - 3-#1, 1-#3NEUT.
- B 1-1/2" - 3-#1, 1-#6GND.
- C 2' - 3-#1, 1-#6GND.
- D 3/4" - 1-#6GND.
- E NOT USED
- F NOT USED
- 1 CROUSE HINDS GENERATOR CONNECTION RECEPTACLE ASSEMBLY, MATCH GENERATOR PLUG
- 2 EXISTING UTILITY HAND-HOLE
- 3 3/8" X 120" GROUND ROD (TYP)
- 4 EXOTHERMIC WELD (TYP)
- 5 1-5/8" X 1-5/8" ALUMINUM STRUT

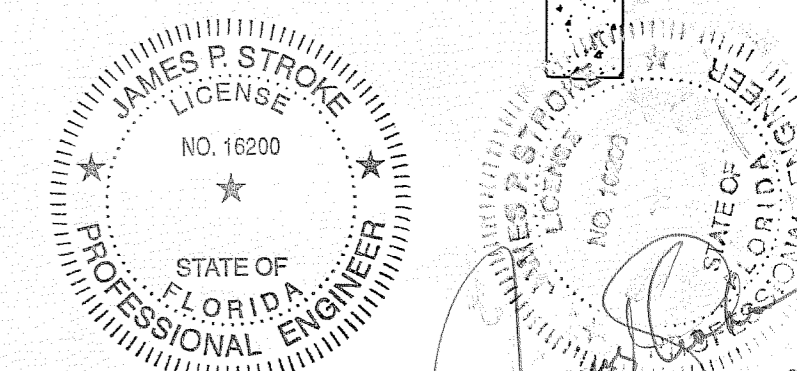
GENERAL NOTES

- 6 1/2" X 4" STAINLESS STEEL SLEEVE ANCHOR
- 7 6' X 6' X 9" CONCRETE POST
- 8 FLEXIBLE CONDUIT CONNECTION
- 9 SIGNAGE AT THIS LOCATION TO READ "VERIFY VOLTAGE, PHASE AND ROTATION PRIOR TO CONNECTION OF GENERATOR. VOLTAGE CONNECTION AT THIS POINT TO BE 480VAC 3P-3W (NO NEUTRAL),
- 1 MEAGER TEST CONDUCTORS AND FURNISH REPORT TO SARASOTA COUNTY
- 2 PERFORM GROUND TEST TO VERIFY MAXIMUM EARTH RESISTANCE OF 5-OHM
- 3 3/8" X 120" GROUND ROD (TYP)
- 4 EXOTHERMIC WELD (TYP)
- 5 ALL ABOVE GRADE CONDUIT TO BE PVC-80
- 6 ALL BELOW GRADE CONDUIT TO BE PVC-40
- 7 ALL CONDUCTORS TO BE THHN-2/THWN COPPER

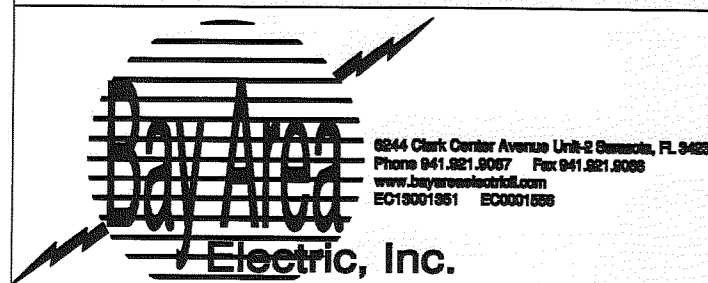
EQUIPMENT MOUNTING RACK



FLORIDA DEPARTMENT OF ENVIRONMENTAL PROTECTION
APR 13 2010
SOUTHWEST DISTRICT TAMPA



RECORD DRAWING



DESIGNED BY:	NAME	DATE
M.G.	M.G.	12/9/2009
CHECKED BY:	NAME	DATE
M.G.	M.G.	1/12/2010
DRAWN BY:	SCALE	NONE
FILE NAME:	FILE LOCATION	

SARASOTA COUNTY LANDFILL RAIN WATER PUMP CONNECTION
FOR
GLOVER CONSTRUCTION

ELECTRICAL RISER DIAGRAM & MOUNTING RACK
DETAIL

NO.	REVISION DESCRIPTION	BY	DATE	PROJ. NO.
1	Revised neutral assembly and layout	MG	1/21/2010	E1001
				DWG DATE: 01/12/2010
				DWG NO: E1001 DWG-01
				SHEET: E-1