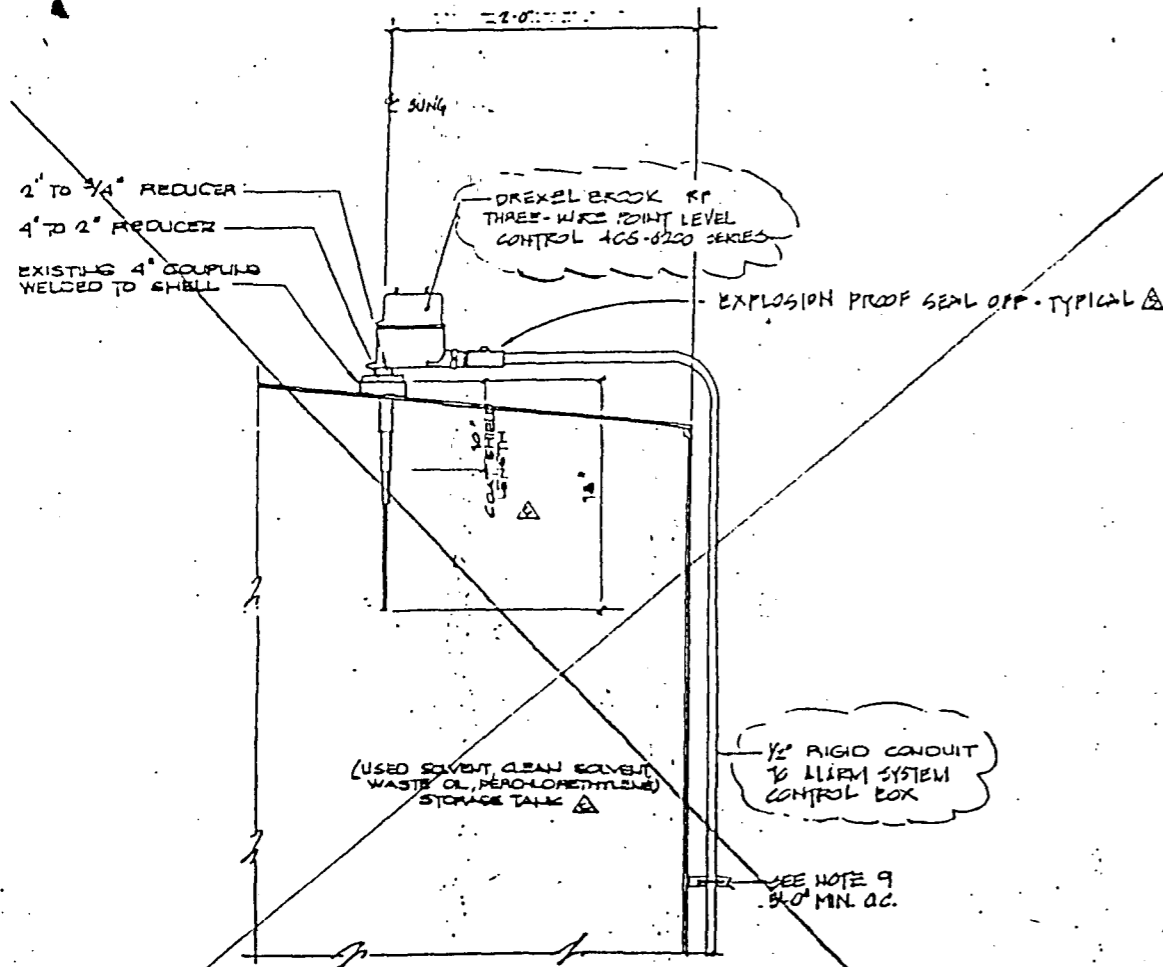
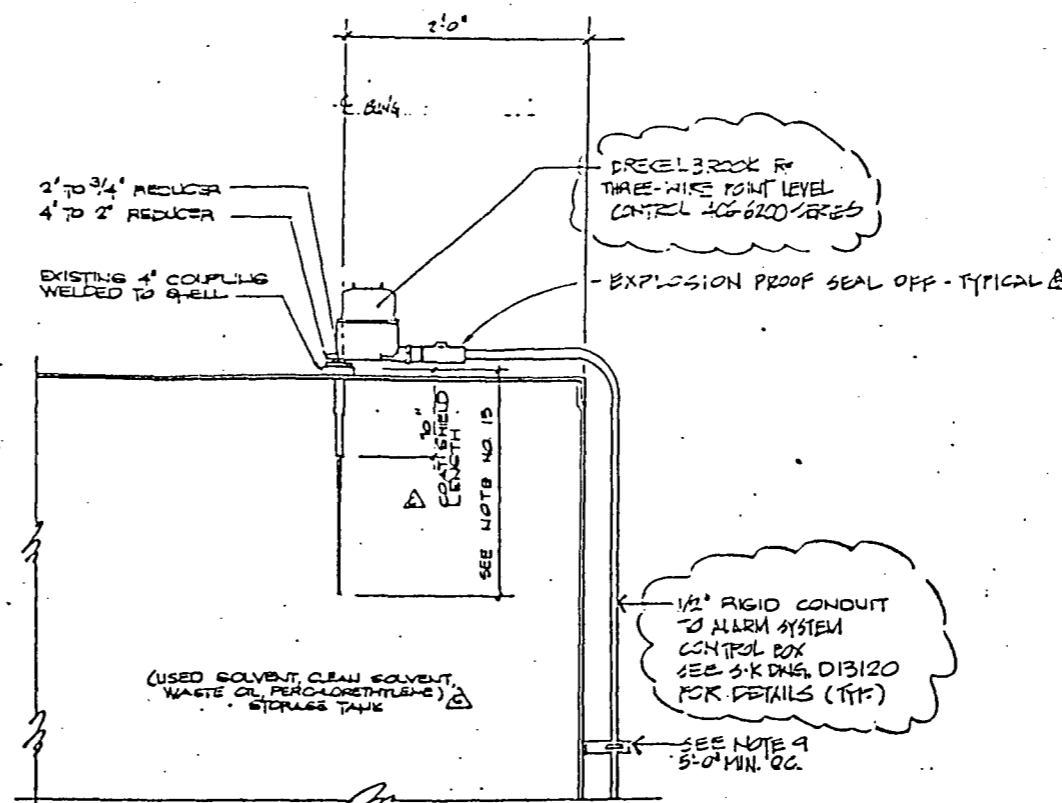


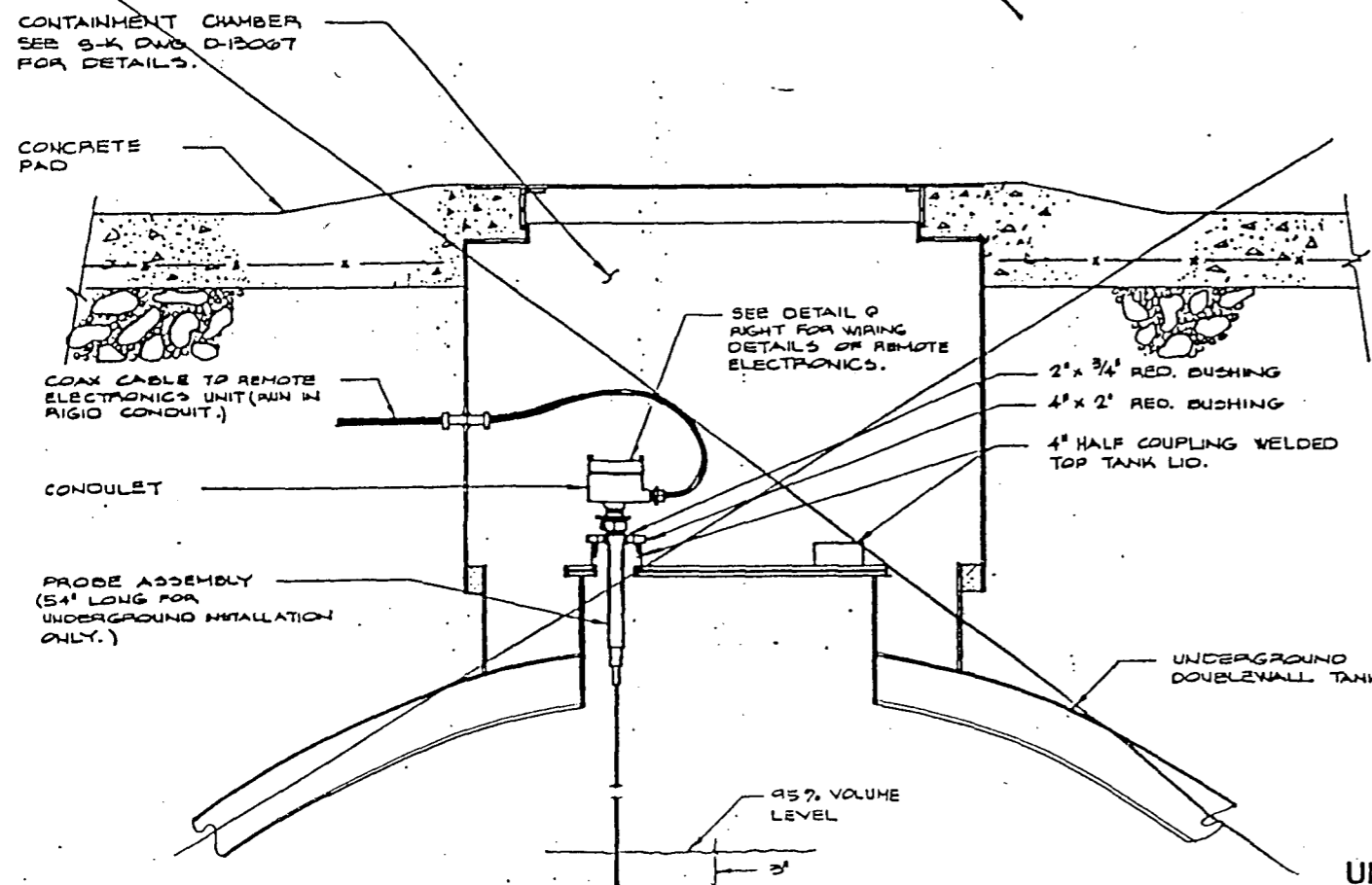
- POWER REQUIREMENT IS TO 24 VDC
- OUTPUT A - 10 mA (ALARM STATE)  
IS - 25 mA (NORMAL STATE)
- OPERATING TEMP. -40°F TO +140°F
- SEAL-TO-CANING LOADING:  
25 lbs MIN. RESISTANCE
- AFT EFFECT: LESS THAN 2" OF SHIFT  
IN OPERATING POINT FOR UNIT IN  
EXPLOSION-PROOF HOUSING FROM 5 W  
FIELD @ 27, 150, OR 450 MHz, AT A  
DISTANCE OF 5 FT. FROM EXPOSED  
CABLE OR SIGNAL WIRE.
- FAIL-SAFE: SWITCHABLE OR EITHER  
LOW-LEVEL FAIL-SAFE (LLFS) OR  
HIGH-LEVEL FAIL-SAFE (HLFS).
- HOUSING: REMA 12-WATERPROOF  
EXPLOSION PROOF FOR CLASS I GROUPS  
A, B, C, D, AND CLASS II GROUPS E, F, G,  
V, L OR Z.
- SEE INDIVIDUAL SERVICE CENTER SITE PLANS  
FOR RELATIVE LOCATIONS OF THESE DETAILS.
- CONTRACTOR TO SUPPLY & INSTALL CONDUIT  
SUPPORTS & BRACKETS AS REQUIRED.
- THIS DRAWING CONTAINS INFORMATION  
PROPRIETARY TO SAFETY-KLEEN CORP. ANY  
REPRODUCTION, DISCLOSURE OR USE OF THIS  
DRAWING IS EXPRESSLY PROHIBITED BY  
SAFETY-KLEEN
- ALL ITEMS SHOWN WITH A SAFETY-KLEEN PART  
NUMBER WILL BE SUPPLIED BY SAFETY-KLEEN  
CORP. (A-9, SK- ---)
- IF INDIVIDUAL SERVICE CENTER CONDITIONS  
ARE NOT COVERED BY DETAILS SHOWN HERE,  
PLEASE CONTACT TECHNICAL SERVICES AT THE  
CORPORATE OFFICE FOR ASSISTANCE.
- CALCULATIONS FOR LENGTH OF PROBE INSIDE  
OF TANK ARE SET TO ACTIVATE THE ALARM  
AT THE 95% VOLUME LEVEL.
- ALL CALIBRATION OF UNIT SHALL BE DONE  
IN ACCORDANCE WITH DREXELBROOKS  
RECOMMENDATIONS. CALIBRATION SHALL  
BE DONE AFTER ALL COMPONENTS OF  
SYSTEM ARE IN PLACE.
- ALL TANKS SHALL BE GROUNDED FROM  
TO INSTALLATION OF ALARM SYSTEM.



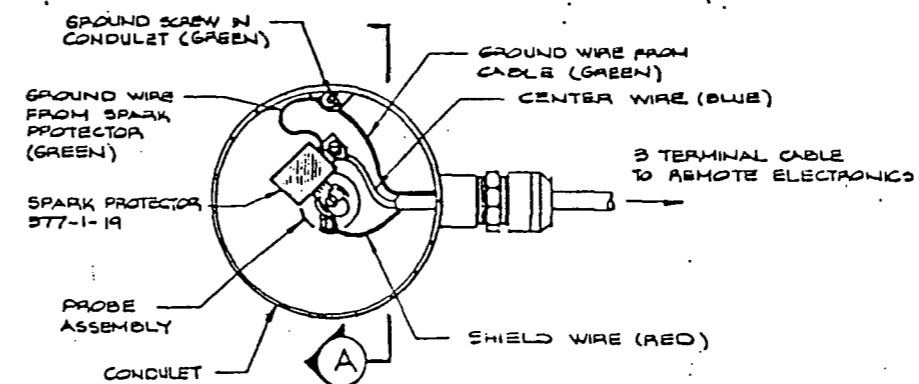
ABOVEGROUND VERTICAL TANK INSTALLATION



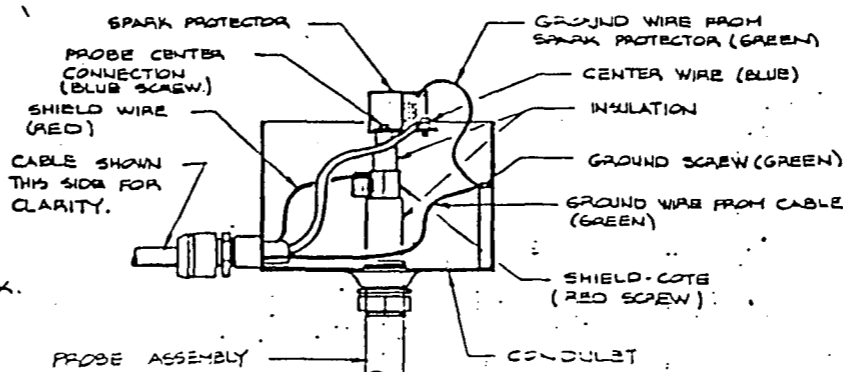
ABOVEGROUND HORIZONTAL TANK INSTALLATION



UNDERGROUND TANK INSTALLATION



WIRING DETAIL  
PLAN VIEW



SECTION A

NOTE:

WORK THIS DWG. WITH SK DWGS  
D-13929 AND D-14218

Exhibit I.E.3-5

REVIEW UNDERGROUND INSTALLATION	DATE
ADD MORE DETAILS & CHANGE TO CONDUIT	03/11/83
ADD MORE AND MODIFY THIS DWG.	MA 12/22/82
ON VERT. & HORIZ. TANK INSTALLATION.	FLB 12/22/82
ADD EXPLOSION PROOF SEAL OFF NOTE	FLB 12/22/82
ADD PROBE DEPTH, NOTE 13	FLB 11/22/82

SAFETY-KLEEN CORP.	
777 8th STREET ROAD & BLVD. ELKHORN NEB 68122	
PHONE 402-481-4444	
HIGH LEVEL ALARM SYSTEM TRANSMITTER TO TANK INSTALLATION DETAILS	
REV	DESCRIPTION
NONE	
01	6-22-83 3000' Clear (Misc. Info)
02	10" x 12" x 18" x 18" x 18"
03	Added Seal-off
LOC. SERVICE CENTER BRANCH	