

This drawing contains information proprietary to Southwest Industrial Constructors, Inc. Any reproduction, disclosure or use of this drawing is expressly prohibited except by Southwest Industrial Constructors or as agreed to in writing.

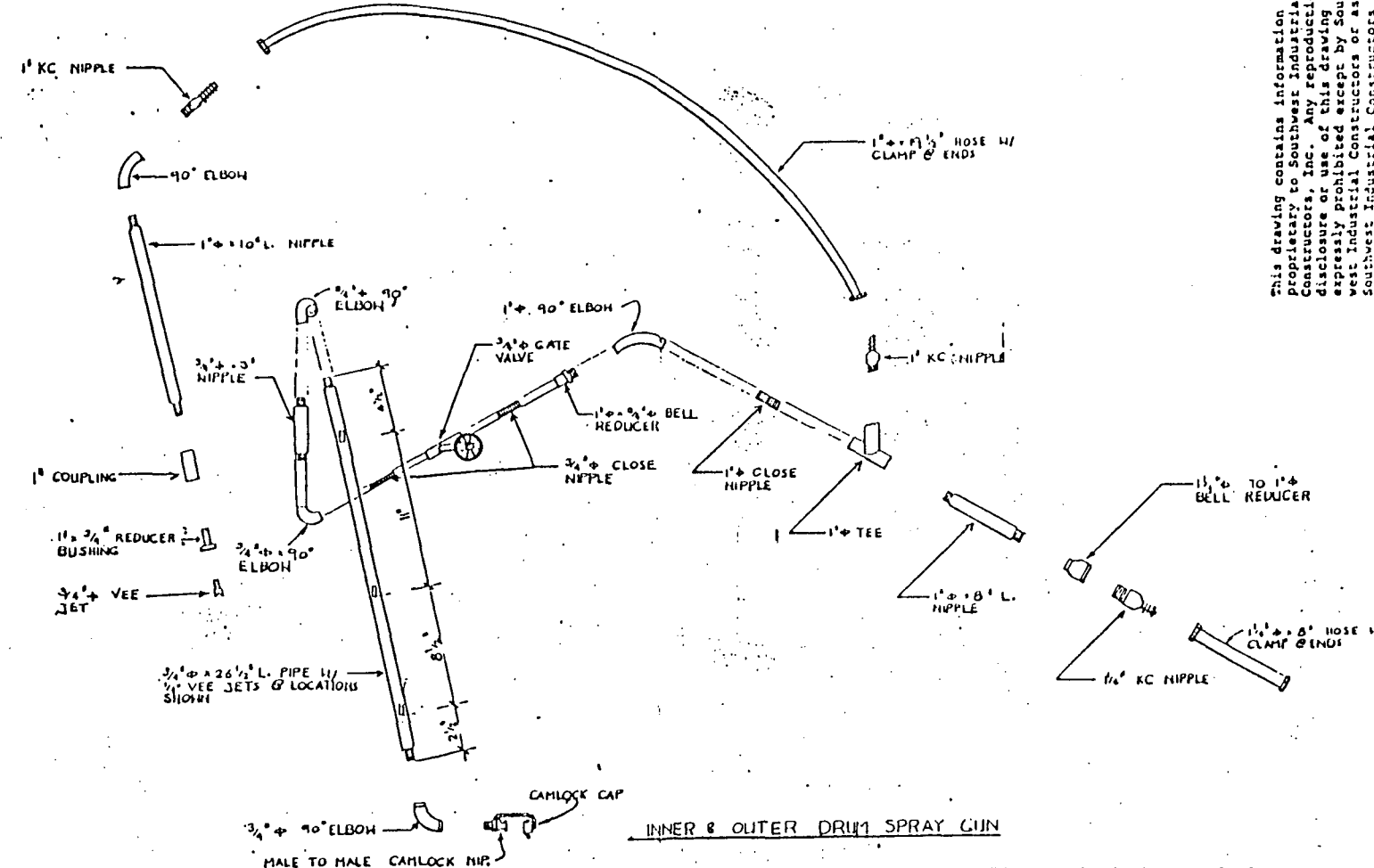
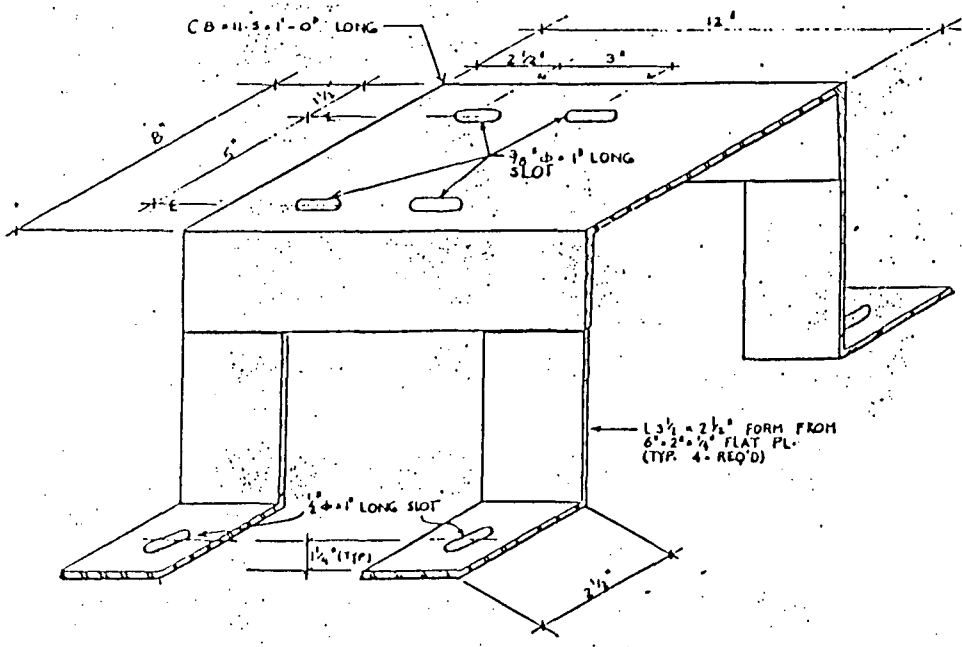
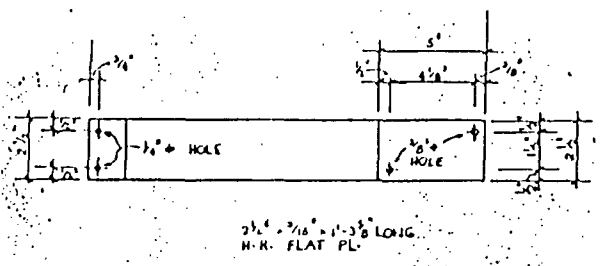
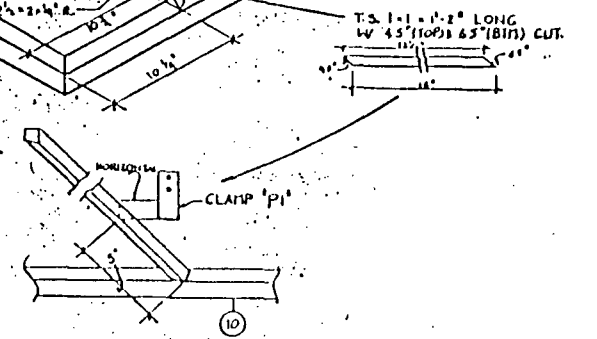
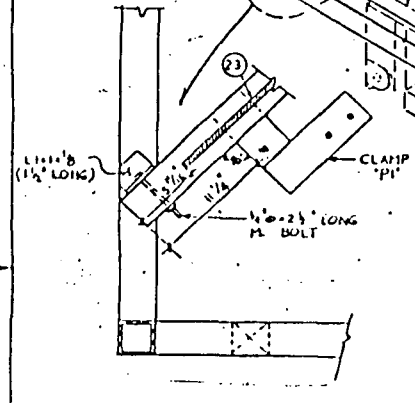
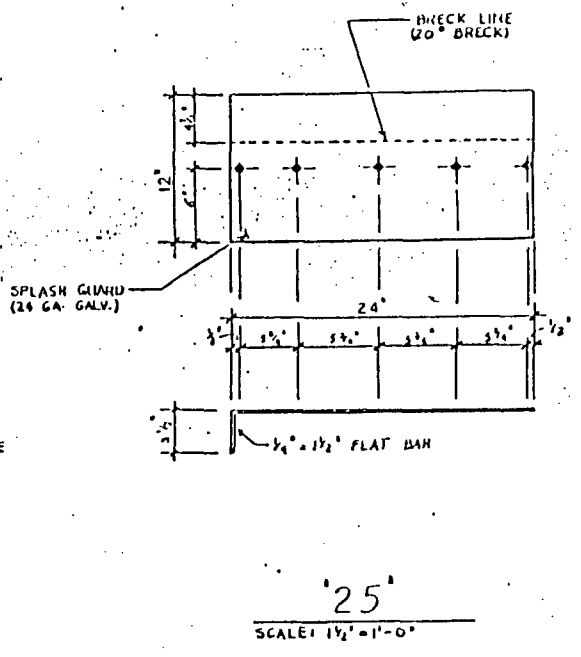
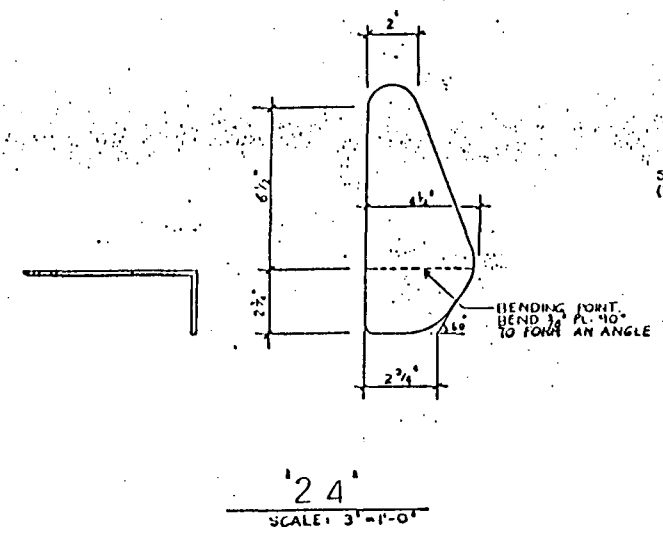
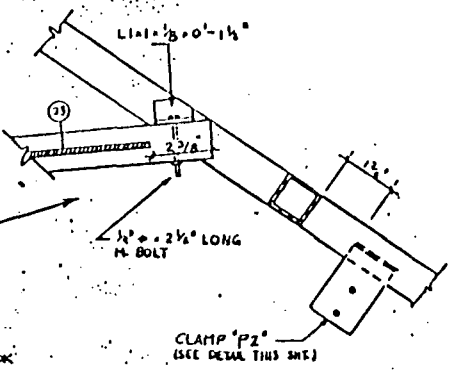
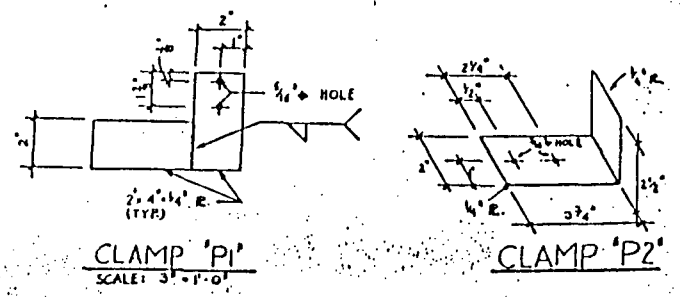
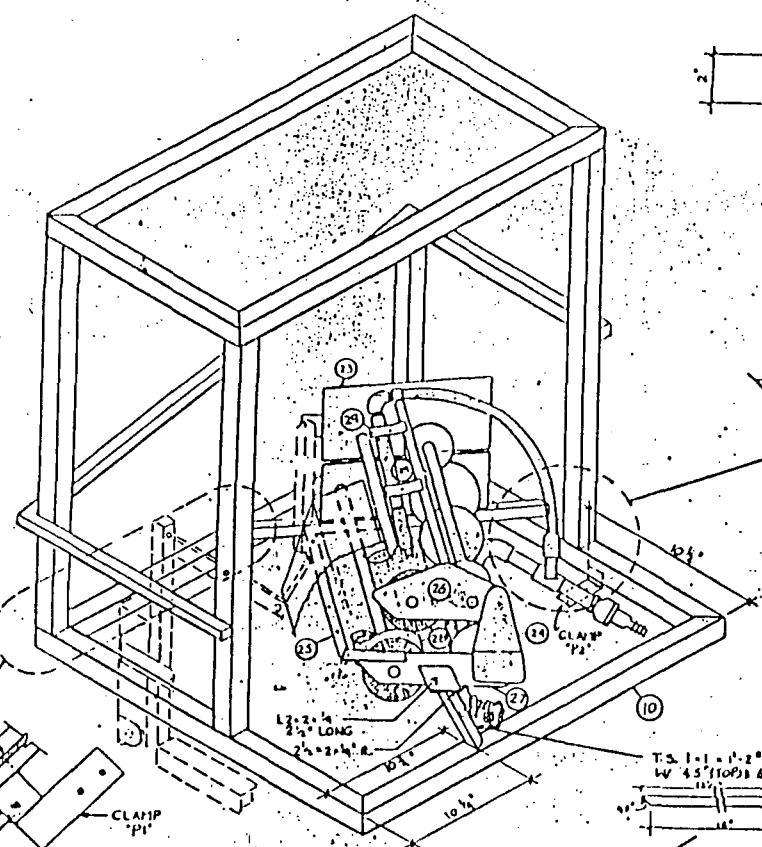


Exhibit I.E.3-9(e)

DRUM WASHER -  
DRUM SPRAY GUN & MISC. DETAILS

**SAFETY-KLEEN CORP.**  
111 8th Avenue Road - El Paso, Texas 79901  
PHONE 758-8141

NO.	DESCRIPTION	BY	CHK	APPR	DATE

THIS DRAWING CONTAINS INFORMATION PROPRIETARY TO SAFETY-KLEEN CORP. ANY REPRODUCTION, DISCLOSURE OR USE OF THIS DRAWING IS EXPRESSLY PROHIBITED EXCEPT BY SAFETY-KLEEN OR AS SAFETY-KLEEN MAY AGREE IN WRITING.