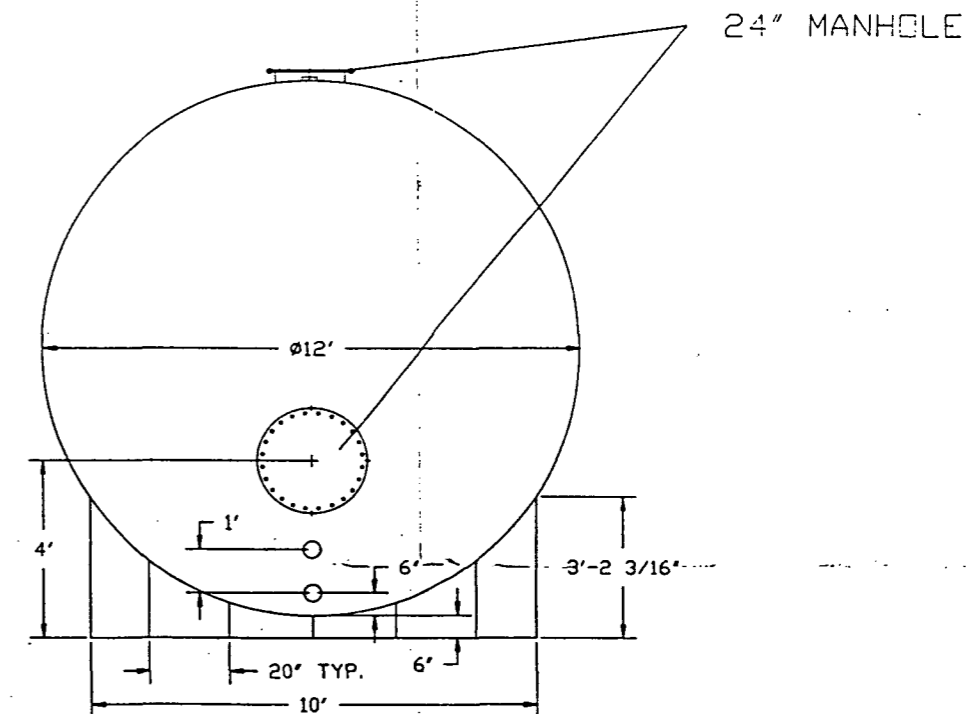
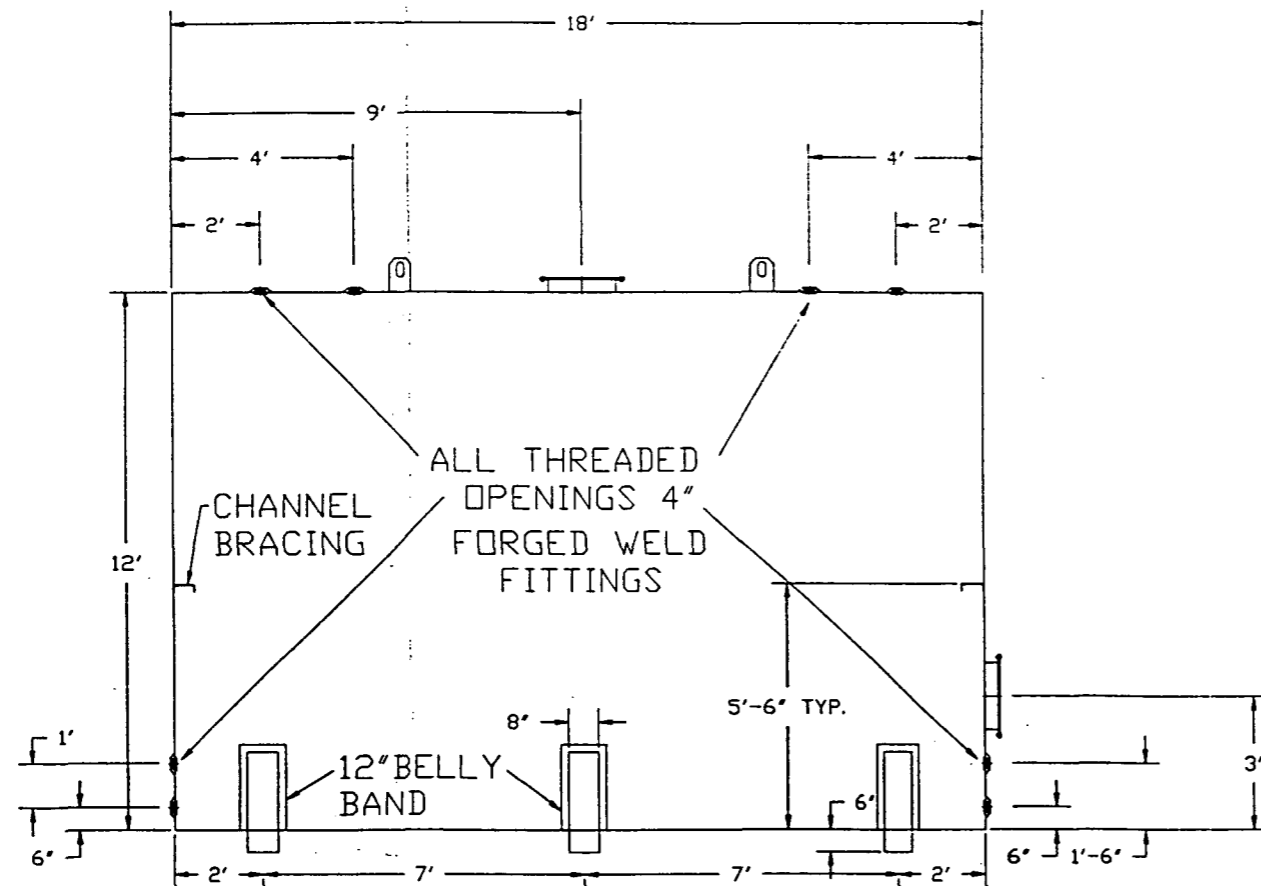


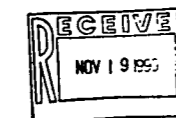
EXTERIOR PRIMED AND
PAINTED SHERWIN
WILLIAMS WHITE



WARNING - THIS DRAWING REQUIRES FURTHER ATTENTION

THIS DRAWING DOES NOT IMPLY SUITABILITY FOR THE STORAGE OF ANY SUBSTANCE. IT IS THE CUSTOMERS RESPONSIBILITY TO DETERMINE THE NATURE OF THE STORED SUBSTANCE AND ITS COMPATIBILITY WITH THE ITEMS SHOWN ON THIS DRAWING. A REGISTERED PROFESSIONAL ENGINEER SHOULD APPROVE THIS DRAWING, THE STORED CONTENTS, INTENDED USE, STRUCTURAL DESIGN, AND OVERALL SYSTEM INSTALLATION.

ECONOMY TANK COMPANY ASSUMES NO RESPONSIBILITY OR LIABILITY WHATSOEVER FOR THE CONTENTS OF THIS DRAWING. THIS DRAWING IS PREPARED AT THE REQUEST OF THE CUSTOMER AND AT THE CUSTOMERS INSTRUCTIONS. ACCEPTANCE OF THIS DRAWING AND OR THE ACCEPTANCE OF THE ITEMS DESCRIBED HEREIN WILL ACKNOWLEDGE ACCEPTANCE OF ALL RESPONSIBILITY AND LIABILITY THAT MAY RESULT.



2	M. H. 24" SADDLE 10'	10/25/90
NO.	DESCRIPTION	BY DATE
REVISIONS		
ECONOMY TANK COMPANY		
99 WENFIELD RD. ST. ALBANS, VT 25177 PHONE 204/727-4338		
PROJECT		
15,000 SAFETY-KLEEN		
SHEET TITLE		
DRAWN BY	DATE	SHEET
	10-10-90	
SCALE	DRAWING NO.	REV.
1/2"=1'	CREC015	2