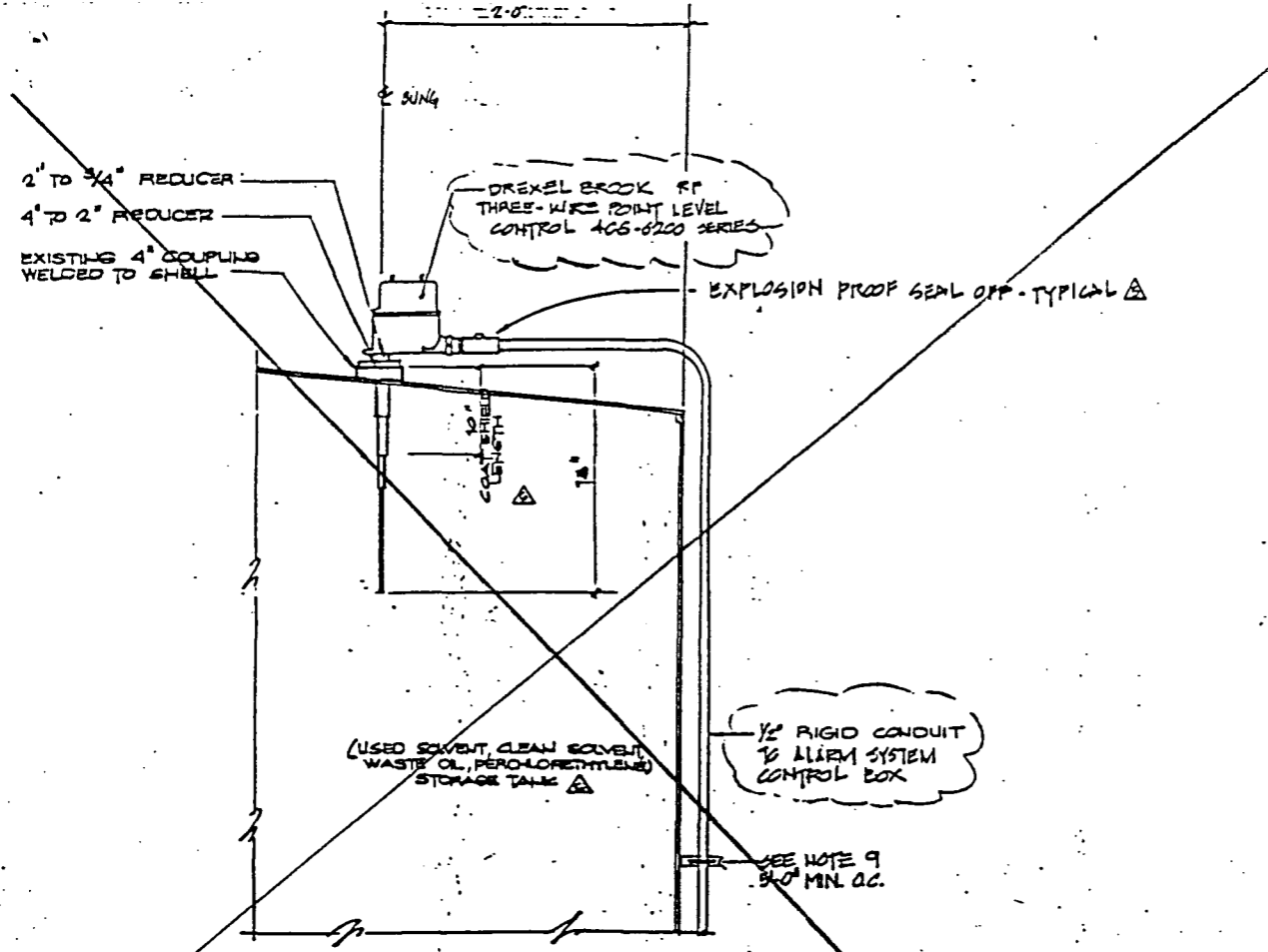
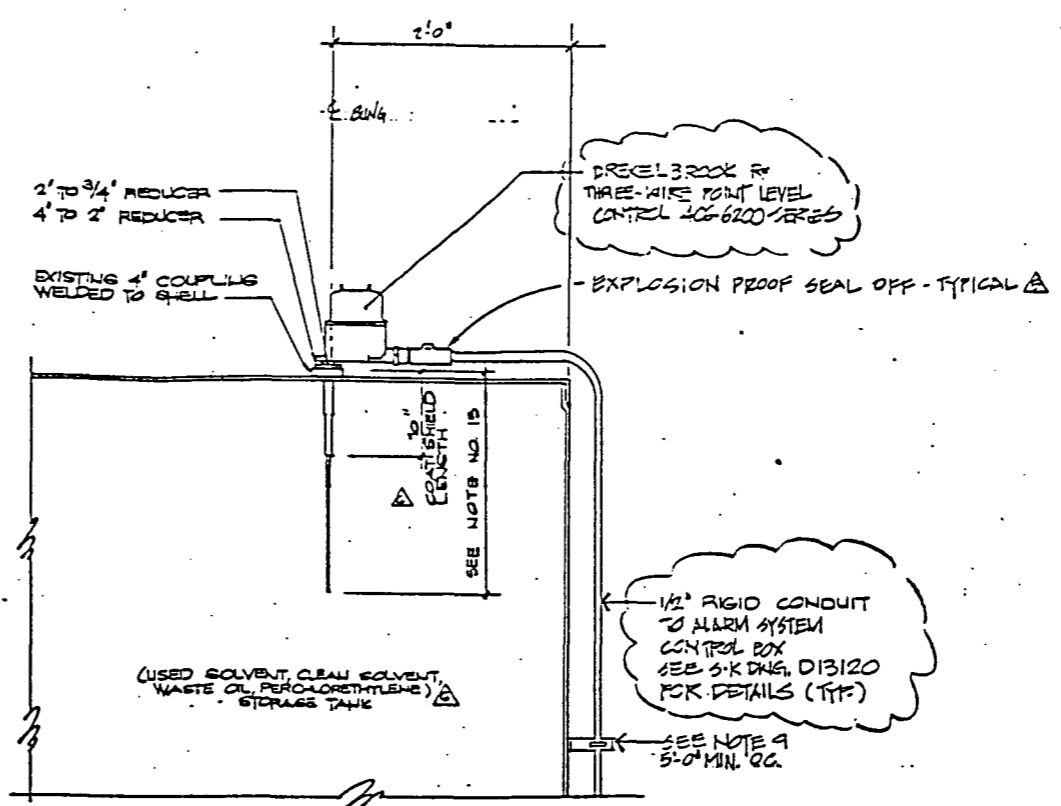


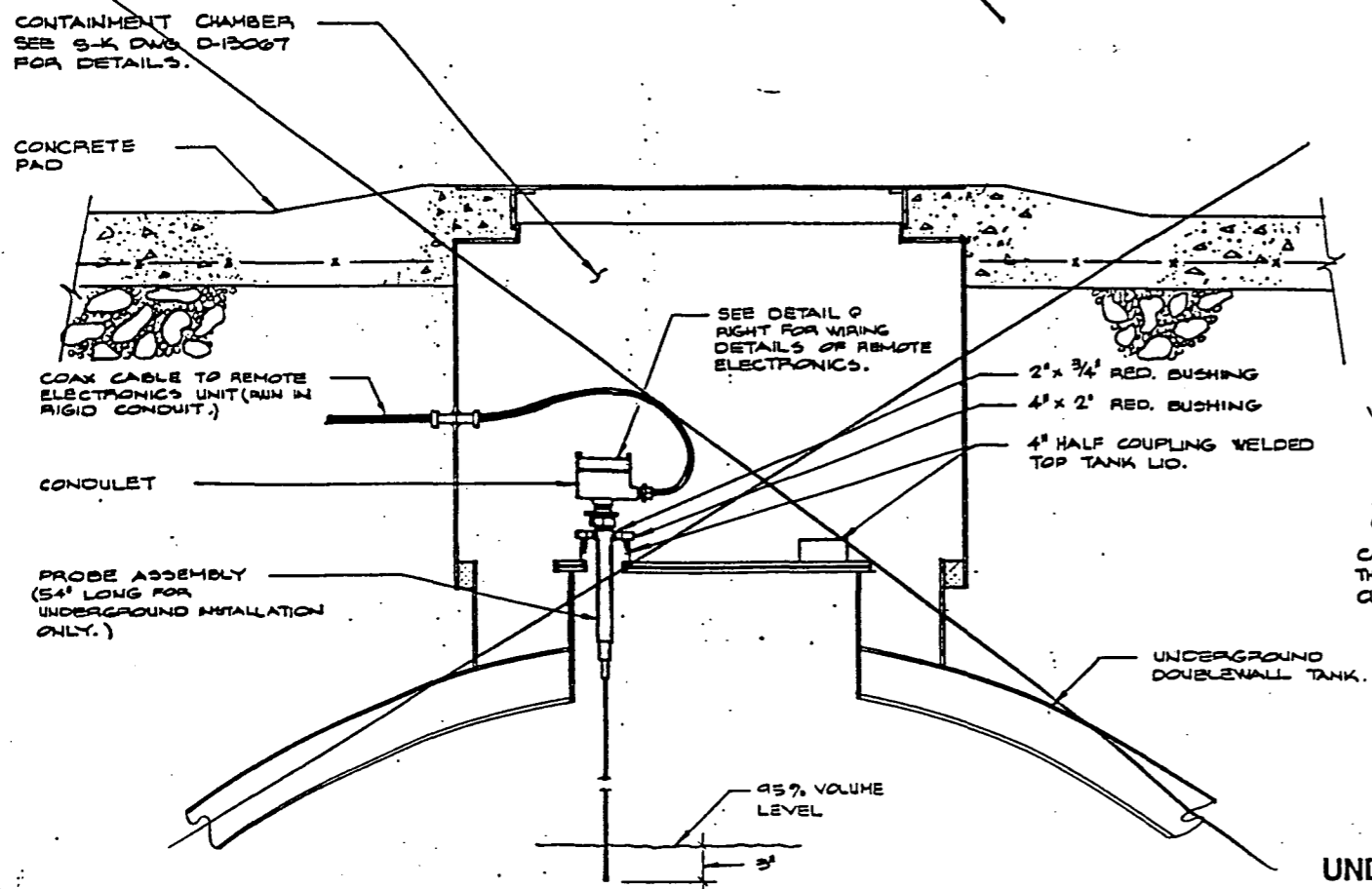
- POWER REQUIREMENT 15 TO 28 VDC
- OUTPUT 4 - 10 mA (ALARM STATE)  
15 - 25 mA (NORMAL STATE)
- OPERATING TEMP. -40°F TO +140°F
- SHIELD-TO-GROUND LOADING:  
25 ohm MIN. RESISTANCE
- RFT EFFECT: LESS THAN 2 OF SHIFT  
IN OPERATING POINT FOR UNIT IN  
EXPLOSION-PROOF HOUSING FROM 5 V  
FIELD @ 27, 150, OR 450 mA, AT A  
DISTANCE OF 5 FT. FROM EXPOSED  
CABLE OR SIGNAL WIRE.
- FAIL-SAFE: SWITCHABLE OR EITHER  
LOW-LEVEL FAIL-SAFE (LLFS) OR  
HIGH-LEVEL FAIL-SAFE (HLFS).
- HOUSING: NEMA 12-WATERPROOF  
EXPLOSION PROOF FOR CLASS I GROUPS  
A, B, C, D, AND CLASS II GROUPS E, F, G,  
DIV. 1 OR 2.
- SEE INDIVIDUAL SERVICE CENTER SITE PLANS  
FOR RELATIVE LOCATIONS OF THESE DETAILS.
- CONTRACTOR TO SUPPLY & INSTALL CONDUIT  
SUPPORTS & BRACKETS AS REQUIRED.
- THIS DRAWING CONTAINS INFORMATION  
PROPRIETARY TO SAFETY-KLEEN CORP. ANY  
REPRODUCTION, DISCLOSURE OR USE OF THIS  
DRAWING IS EXPRESSLY PROHIBITED BY  
SAFETY-KLEEN
- ALL ITEMS SHOWN WITH A SAFETY-KLEEN PART  
NUMBER WILL BE SUPPLIED BY SAFETY-KLEEN  
CORP. (S-K- ---)
- IF INDIVIDUAL SERVICE CENTER CONDITIONS  
ARE NOT COVERED BY DETAILS SHOWN HERE,  
PLEASE CONTACT TECHNICAL SERVICES AT THE  
CORPORATE OFFICE FOR ASSISTANCE.
- CALCULATIONS FOR LENGTH OF PROBE INSIDE  
OF TANK ARE SET TO ACTIVATE THE ALARM  
AT THE 95% VOLUME LEVEL.
- ALL CALIBRATION OF UNIT SHALL BE DONE  
IN ACCORDANCE WITH DREXELBROOK'S  
RECOMMENDATIONS. CALIBRATION SHALL  
BE DONE AFTER ALL COMPONENTS OF  
SYSTEM ARE IN PLACE.
- ALL TANKS SHALL BE GROUNDED PRIOR  
TO INSTALLATION OF ALARM SYSTEM.



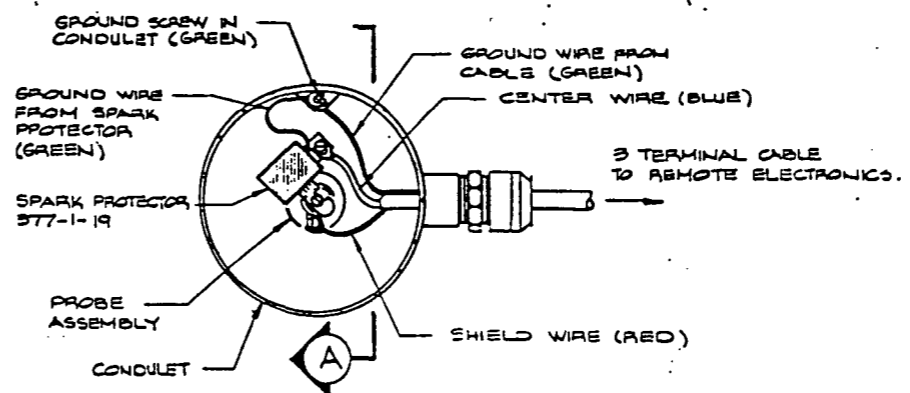
ABOVEGROUND VERTICAL TANK INSTALLATION



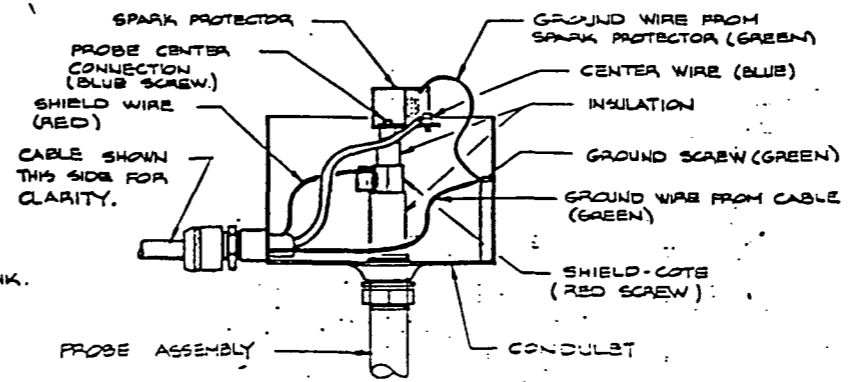
ABOVEGROUND HORIZONTAL TANK INSTALLATION



UNDERGROUND TANK INSTALLATION



WIRING DETAIL PLAN VIEW



SECTION A

NOTE:

WORK THIS DWG. WITH SK DWGS D-13929 AND D-14218.

REVIEW UNDERGROUND INSTALLATION AND ADD DETAILS & CHANGE CONDUIT TO 2\"/>	DLB	11-2-82
ADD NOTES AND MODIFY THE DRAWING ON VERT. & HOR. TANK INSTALLATION.	MA	7-2-82
ADD EXPLOSION PROOF SEAL OFF NOTE	DLB	10-2-81
CHANGE PROBE DEPTH, NOTE 13	DLB	11-2-82

HIGH LEVEL ALARM SYSTEM TRANSMITTER TO TANK INSTALLATION DETAILS	
DATE	DESCRIPTION
NONE	
6-22-83	Added clarity & Misc. info.
8-20	Added seal-off note
10-1-83	Added seal-off note
FOR SERVICE CENTER BRANCH	
	D13102