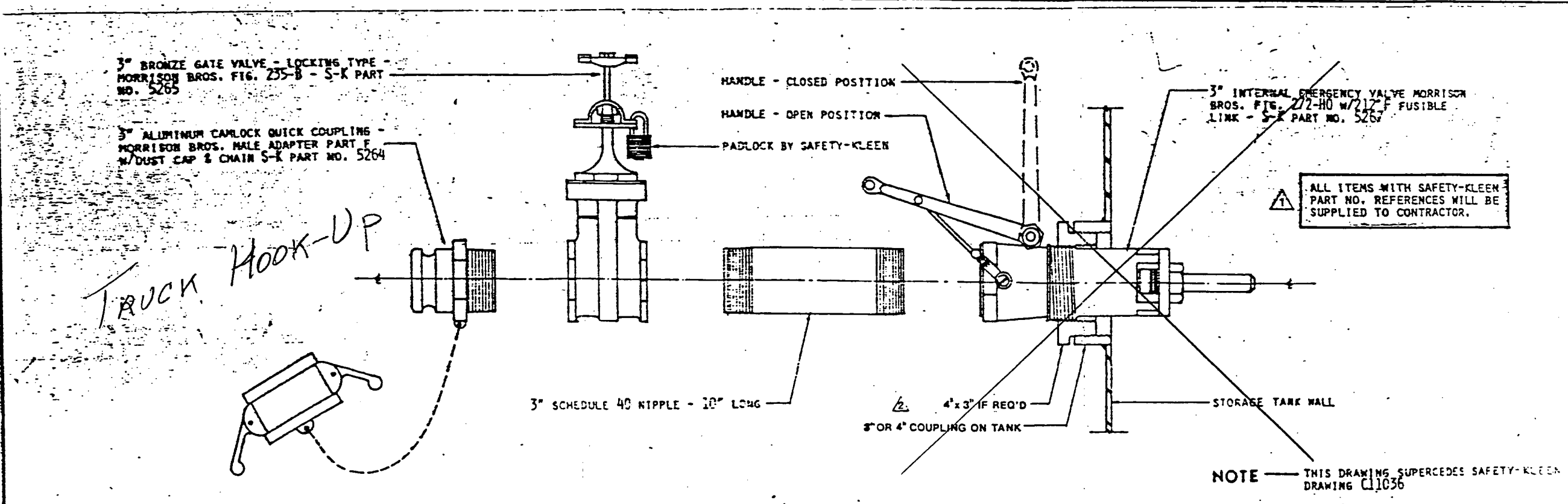


— STANDARD INSTALLATION FOR PIPING OF ALL STORAGE TANKS —



— ADDITIONAL INSTALLATION FOR PIPING OF NEW TANKS FOR STORAGE OF USED SOLVENT —
(FOR LOCATIONS PRONE TO FREEZING ONLY - SEE SAFETY KLEEN DRAWING D11124 —)

NOTE — THIS DRAWING SUPERCEDES SAFETY-KLEEN DRAWING C11036

Safety-Kleen Corp.
 10000 TRINITY ROAD - ELGIN, ILLINOIS 60120
 PHONE 312/341-1100

EMERGENCY & GATE VALVE INSTALLATION DETAILS

NO SCALE
 WLS 11-5-85

FOR: SERVICE CENTER BRANCH
 CONSTRUCTION & OR IMPROVEMENTS

C11302

2	ADDED CLARIFICATION	RD	3/24/85
3	ADDED NOTE	WJ	11/23/84
REV	DESCRIPTION	BY	