



FLORIDA DEPARTMENT OF Environmental Protection

Central District Office
3319 Maguire Blvd., Suite 232
Orlando, Florida 32803

Ron DeSantis
Governor

Jeanette Nuñez
Lt. Governor

Shawn Hamilton
Secretary

July 12, 2024

Jeno Realty, LLC
Noemi Wheeler, President
2790 SW 87th Place
Ocala, FL 34476
noemiwheeler@yahoo.com

Re: Serenity Oaks Mobile Home Park
PWS ID 3421574
OGC File No.: 24-1988

Dear Ms. Wheeler:

Enclosed is the executed Consent Order to resolve the above referenced case. This copy is for your records.

Should you have any questions or comments, please contact Kathryn Badolato at 407-897-2914 or at Kathryn.Badolato@FloridaDEP.gov.

Your cooperation in this matter will be appreciated.

Sincerely,

A handwritten signature in black ink, appearing to read "AW", is written over a light blue horizontal line.

On behalf of:

Aaron Watkins
Director, Central District

Enclosure: Consent Order OGC# 24-1988

cc: FDEP: Lea Crandall, Anitra Spencer, Kathryn Badolato, Jill Farris



FLORIDA DEPARTMENT OF Environmental Protection

Central District Office
3319 Maguire Blvd., Suite 232
Orlando, Florida 32803

Ron DeSantis
Governor

Jeanette Nuñez
Lt. Governor

Shawn Hamilton
Secretary

July 3, 2024

Jeno Realty, LLC
Noemi Wheeler, President
2790 SW 87th Place
Ocala, FL 34476
noemiwheeler@yahoo.com

SUBJECT: Department of Environmental Protection v. Jeno Realty, LLC,
OGC File No.: 24-1988
Serenity Oaks Mobile Home Park
PWS ID 3421574

Ms. Noemi Wheeler:

The State of Florida Department of Environmental Protection (“Department”) finds that Jeno Realty, LLC (“Respondent” or “you”) failed to: perform required testing for *bacteriological contaminants* for the month of October 2022, which is required to be performed monthly per rule 62-550.516, Florida Administrative Code, F.A.C.; failed to perform the required testing for *synthetic organic contaminants*, specifically pentachlorophenol, for the year 2022, which is required to be performed annually during the 4th quarter of the year per rule 62-550.518, F.A.C.; and failed to issue public notice to the community within three months of the aforementioned missed SOC sampling, which is required per 62-560.410, F.A.C.. Before sending this letter, the Department requested that you undertake certain actions to resolve the violations. These actions have since been completed. However, due to the nature of the violations, you remain subject to civil penalties. You are also responsible for costs incurred by the Department during the investigation of this matter.

The Department’s Offer

Based on the violations described above, the Department is seeking \$8,813.00 in civil penalties and \$250.00 for costs and expenses the Department has incurred in investigating this matter, which amounts to a total of \$9,063.00. The civil penalties are apportioned as follows: \$3,000.00 for violation of Rule 62-550.516, F.A.C., \$3,000.00 for violation of Rule 62-550.518, F.A.C., \$1,000.00 for violation of Rule 62-560.410, F.A.C. An additional \$1,813.00 in civil penalties has been assessed for a history of non-compliance, including two consent orders issued within the past 5 years.

However, in lieu of paying the full civil penalty, the Department has determined that \$8,813.00 of the civil penalty may be offset through implementation of the In-Kind Project described in the attached Exhibit. This amount is referred to as the “offset amount.” The value of the In-Kind Penalty Project shall be one and a half times the civil penalty off-set amount, which in this case is the equivalent of at least \$13,219.00. Notwithstanding the election to implement an In-Kind Project, payment of the remaining \$8,813.00 in costs must be paid within **30 days** of the effective date of the Consent Order.

If Respondent elects to implement an In-Kind Project as provided, then Respondent shall comply with all the requirements and time frames in Exhibit A entitled In-Kind Project.

Respondent’s Acceptance

If you wish to accept this offer and fully resolve this pending enforcement matter, please sign this letter and return it to the Department at DEP_CD@dep.state.fl.us or the Central District’s Office at 3319 Maguire Blvd. Suite 232, Orlando, FL 32802 by **July 9, 2024**. The Department will then countersign it and file it with a designated clerk of the Department. Once the document is filed with the designated clerk, it will constitute a final order of the Department pursuant to Section 120.52(7), F.S. and will be effective unless a request for an administrative hearing is filed by a third party in accordance with Chapter 120, F.S. and the attached Notice of Rights.

By accepting this offer you, Noemi Wheeler:

- (1) certify that you are authorized and empowered to negotiate, enter into, and accept the terms of this offer in the name and on behalf of Respondent;
- (2) acknowledge and waive Respondent’s right to an administrative hearing pursuant to Sections 120.569 and 120.57, F.S., on the terms of this offer, once final;
- (3) acknowledge and waive your right to an appeal pursuant to Section 120.68, F.S

The Department acknowledges that your acceptance of this offer does not constitute an admission of liability for the violations referenced above.

Respondent’s Performance

After signing and returning this document to the Department,

- (1) Upon signing this letter, you must implement the In-Kind Project in accordance with the requirements identified in the attached Exhibit. You must begin the In-Kind Project within 45 days, and fully complete the In-Kind Project within 180 days of your signing this letter. Your failure to timely start or complete the In-Kind Project, or timely provide the Department with the Final Report, will cause the In-Kind Project option to be

forfeited and the balance of the civil penalty shall be due within 10 days of notice from the Department.

- (2) Respondent shall pay \$250 within **30 days** of the execution of this Order. The payment must be made payable to the Department of Environmental Protection by cashier's check or money order and shall include the OGC File Number assigned above and the notation "Water Quality Assurance Trust Fund."
- (3) Respondent shall make all payments required by this Order by cashier's check, money order or on-line payment. Cashier's check or money order shall be made payable to the "Department of Environmental Protection" and shall include both the OGC number assigned to this Order and the notation "Water Quality Assurance Trust Fund." Online payments by e-check can be made by going to the DEP Business Portal at: <http://www.fldepportal.com/go/pay/>
It will take a number of days after this order is final, effective and filed with the Clerk of the Department before ability to make online payment is available.

The Department may enforce the terms of this document, once final, and seek to collect monies owed pursuant to Sections 120.69 and 403.121, F.S.

Until clerked by the Department, this letter is only a settlement offer and not a final agency action. Consequently, neither you nor any other party may request an administrative hearing to contest this letter pursuant to Chapter 120, F.S. Once this letter is clerked and becomes a final order of the Department, as explained above, the attached Notice of Rights will apply to parties, other than you, whose interests will be substantially affected.

Electronic signatures or other versions of the parties' signatures, such as .pdf or facsimile, shall be valid and have the same force and effect as originals. No modifications of the terms of this Order will be effective until reduced to writing, executed by both Respondent and the Department, and filed with the clerk of the Department.

Please be aware that if you decline to respond to the Department's offer, the Department will assume that you are not interested in resolving the matter and will proceed accordingly.

If you have any questions, please contact Kathryn Badolato at 407-897-2914 or at Kathryn.Badolato@FloridaDEP.gov.

Sincerely,



On behalf of:

Aaron Watkins
District Director
Central District

FOR THE RESPONDENT:

I, Noemi Wheeler [Type or Print Name], HEREBY ACCEPT
THE TERMS OF THE SETTLEMENT OFFER IDENTIFIED ABOVE.

By: Noemi Wheeler [Signature] Date: 7/9/2024
Title: Manager [Type or Print]

FOR DEPARTMENT USE ONLY

DONE AND ORDERED this 12 day of July, 2024, in Orange
County, Florida.

STATE OF FLORIDA DEPARTMENT
OF ENVIRONMENTAL PROTECTION

Aaron Watkins on behalf of

Aaron Watkins
District Director
Central District

Filed, on this date, pursuant to section 120.52, F.S., with the designated Department Clerk,
receipt of which is hereby acknowledged.

Mandakini Patel
Clerk

July 12, 2024
Date

Attachments: Notice of Rights, In-Kind Project Proposal

Copies furnished to:
Lea Crandall, Agency Clerk lea.crandall@dep.state.fl.us

NOTICE OF RIGHTS

Persons who are not parties to this Order, but whose substantial interests are affected by it, have a right to petition for an administrative hearing under Sections 120.569 and 120.57, Florida Statutes. Because the administrative hearing process is designed to formulate final agency action, the filing of a petition concerning this Order means that the Department's final action may be different from the position it has taken in the Order.

The petition for administrative hearing must contain all of the following information:

- a) The name and address of each agency affected and each agency's file or identification number, if known;
- b) The name, address, any e-mail address, any facsimile number, and telephone number of the petitioner, if the petitioner is not represented by an attorney or a qualified representative; the name, address, and telephone number of the petitioner's representative, if any, which shall be the address for service purposes during the course of the proceeding; and an explanation of how the petitioner's substantial interests will be affected by the agency determination;
- c) A statement of when and how the petitioner received notice of the agency decision;
- d) A statement of all disputed issues of material fact. If there are none, the petition must so indicate;
- e) A concise statement of the ultimate facts alleged, including the specific facts the petitioner contends warrant reversal or modification of the agency's proposed action;
- f) A statement of the specific rules or statutes the petitioner contends require reversal or modification of the agency's proposed action, including an explanation of how the alleged facts relate to the specific rules or statutes; and
- g) A statement of the relief sought by the petitioner, stating precisely the action petitioner wishes the agency to take with respect to the agency's proposed action.

The petition must be filed (received) at the Department's Office of General Counsel, 3900 Commonwealth Boulevard, MS# 35, Tallahassee, Florida 32399-3000 or received via electronic correspondence at Agency_Clerk@floridadep.gov, within 21 days of receipt of this notice. A copy of the petition must also be mailed at the time of filing to the District Office at the address indicated above. Failure to file a petition within the 21-day period constitutes a person's waiver of the right to request an administrative hearing and to participate as a party to this proceeding under Sections 120.569 and 120.57, Florida Statutes. Mediation under Section 120.573, Florida Statutes, is not available in this proceeding.



NOEMI WHEELER Proposal

Prepared on: 11/09/2023

Prepared by: Brian Shea

brian@trademarkelect.com

NOEMI WHEELER

2790 SW 87TH PLACE 34476

OCALA, FL 34476

Phone: (352) 553-5588

NOEMIWHEELER@GMAIL.COM

TRADEMARK ELECTRIC INC.

3621 NW 27th Avenue

OCALA, FL 34475

+1 (352) 629-8617

info@trademarkelect.com

QTY	Generac items
-----	---------------

22kW Air-Cooled Standby Generator with WiFi, Aluminum Enclosure

Generac's Guardian Series generators provide the automatic backup power you need to protect your home and family during a power outage. Connected to your existing LP or natural gas fuel supply, it kicks in within seconds of sensing power loss— automatically—and runs for as long as necessary until utility power returns.

Now coming with FREE Mobile Link™, allowing you to monitor the status of your generator on a phone, tablet or computer from anywhere in the world. Giving you the ability to connect your account to your authorized service dealer for fast, friendly and convenient assistance.

1		\$5,856.44
---	--	------------

- Mobile Link™ Remote Monitoring.
- 5-Year Limited Warranty
- True Power™ Technology delivers best-in-class power
- Generac generators and engines are Engineered and Built in the USA*
- Generac's G-Force Engines are capable of handling the rigors of generator use
- 24/7/365 Customer Support Team
- Tough, Durable All-Aluminum Enclosures
- Smart, User-Friendly Controls
- *Built in the USA using domestic and foreign parts

200 Amp Service Rated 120/240 1Ø NEMA 3R, 20 – 40 circuit load center

200 Amp, 120/240 Volt single-phase service rated automatic transfer switch for indoor or outdoor applications. An integrated 20-40 circuit load center serves outbuilding circuits while pass through lugs feed main distribution or sub panels.

Service Rated Generac Automated Transfer Switches are housed in an aluminum Type 3R enclosure, with electrostatically applied and baked powder paint. The Heavy Duty Generac Contactor is an ETL recognized device, designed for years of service. The controller at the generator handles all the timing, sensing, exercising functions, and transfer commands. The integrated 20 space load center accepts 1 in (25.4 mm) standard, GFCI, AFCI, or tandem circuit breakers from Siemens, Murray, Eaton, and Square D for the most flexible and cost effective install. Utilizing tandem breakers, the load center can be equipped to support up to 40 individual circuits. All switches are covered by a 5 year limited warranty.

1		\$1,424.87
---	--	------------

7208 - Mobile Link Cellular 4G LTE Accessory - US & Canada

The Mobile Link Cellular 4G LTE device is easy to use and works in tandem with our cellular partner, Verizon, for broad coverage and more reliable connections. This 4G LTE network also delivers faster download speeds, enabling automatic generator system upgrades over the air and faster delivery of generator condition notifications. The device pairs with our Mobile Link monitoring service, giving homeowners and our dealer partners* frontline access to critical information about their generator's status—24/7—for enhanced peace-of-mind.

1		\$0.00
---	--	--------

QTY	Shipping
-----	----------

ATS

1		\$92.66
---	--	---------

ATS shipping

QTY	Shipping
-----	----------

Generator

1		\$372.75
---	--	----------

Generator shipping

QTY	Concrete / Gravel / Aluminum
-----	------------------------------

1	Concrete Pad - Air-Cooled	\$265.19
	Concrete Pad	

QTY	LP Tank	
-----	---------	--

1	250 gallon Propane Tank - underground	\$5,402.05
	250 gallon Propane Tank - underground-GAS INCLUDED	

QTY	LP Tank	
-----	---------	--

1	permit	\$335.48
	gas permit	

QTY	other	
-----	-------	--

1	OTHER	\$1,800.00
	other	

QTY	Generator Hookup	
-----	------------------	--

1	Air cooled complete install	\$4,450.00
	Includes permit & material within 15' of electric service	

Sub-Total:	\$19,999.44
Discount:	\$0.00
No Charge:	(\$340.79)
Sales Tax:	\$0.00
Total:	\$19,999.44
Down Payment:	\$0.00
Balance Due:	\$19,999.44

Generac is the #1 standby generator on the market today. TRADEMARK ELECTRIC INC. is a factory-authorized and certified dealer, trained in the proper application, installation, and service of all Generac automatic standby generators, assuring you the highest quality service and support for your generator.

Thank you for the opportunity to offer a Generac automatic standby generator to protect your home and family during a power outage. We will contact you to answer any additional questions and finalize the details of the installation of your automatic standby generator. Please feel free to contact us at +1 (352) 629-8617 at any time.

All quotes are valid for 30 days.

Sincerely,

Brian Shea

I accept this proposal and wish to proceed with the purchase and installation of my Generac automatic standby generator. Depending on the payment method, purchase is subject to additional terms & conditions, including credit approval.

Customer Name/Signature

Date

Dealer Name/Signature

Date

You, the buyer, may cancel this transaction at any time prior to midnight of the third business day after the date of signing this proposal. See the attached notice of cancellation form for an explanation of this right.

Additional Notes

\$1800.00 relocate and add electrical with new panel



TRADEMARK ELECTRIC INC.
 3621 NW 27th Avenue
 OCALA, FL, 34475
 +1 (352) 629-8617

Sizing Report

Sizing Information for:
 NOEMI WHEELER
 2790 SW 87TH PLACE 34476
 OCALA, FL, 34476

Rated Nominal Voltage 120 / 240 Single Phase
 Generator Fuel Choice Liquid Propane
 Sizing Method (NEC 220) Part III

General Lighting & Receptacles		Load (kW)
Square Footage Being Covered (ft^2)	0	0.00
Small Appliance Circuits (20 amps)		
Kitchen Circuits	2.00	3.00
Laundry Circuits	1.00	1.50

Fixed-In-Place Appliances & Motors	Managed Loads	Estimated (kW)	Nameplate (amps)	240 V	Load (kW)
Well pump		6.72	28.00	X	6.72

Air Conditioning & Cooling	Managed Loads	Estimated (kW)	Nameplate (amps)	240 V	Load (kW)

Heating & Heat Pumps	Managed Loads	Estimated (kW)	Nameplate (amps)	240 V	Load (kW)

Transient Requirement	Estimated (LRA)	Actual (LRA)	Utilized (LRA)
Largest Motor's Starting Amps (LRA)	193.2	0.00	193.2

Summary NEC Load	Load (kW)	NEC Required
General Lighting & Receptacles	4.50	
Fixed-in-Place Appliances & Motors	6.72	
Sum of all General Loads	11.22	11.9250
Cooling	0	0.00
Heating (w/demand factors)	0	0.00
Larger of Heating & Cooling	0	0.00

Sizing based on requirements of NEC Article 220: Part III	11.9250
Elevation	0
Minimum size generator for motor starting requirements	22
BTU load required	355000

22 kW Generac Model Generator Recommended

Customer Checklist

Administration Preparation

- Dealer Site Survey
- Dealer Building Permit
- Dealer Electrical Permit
- Dealer Plumbing Permit

Installation Preparation

- Dealer Call Electric Company

Installation

- Dealer Install Base
- Dealer Mount Transfer Switch
- Dealer Install Fuel Line
- Homeowner Landscaping

Post Install / Activation / Followup

- Dealer Activation
- Dealer Demo a Simulated Outage
- Dealer Fuel Pressure Check
- Dealer Final Inspection

Notice of Cancellation

Date of Purchase: _____

You may CANCEL this transaction, without any Penalty or Obligation, within THREE BUSINESS DAYS from the above date.

If you cancel, any property traded in, any payments made by you under the contract or sale, and any negotiable instrument executed by you will be returned within TEN BUSINESS DAYS following receipt by the seller of your cancellation notice, and any security interest arising out of the transaction will be cancelled.

If you cancel, you must make available to the seller at your residence, in substantially as good condition as when you received, any goods delivered to you under this contract or sale, or you may, if you wish, comply with the instructions of the seller regarding the return shipment of the goods at the seller's expense and risk.

If you do make the goods available to the seller and the seller does not pick them up within 20 days of the date of your Notice of Cancellation, you may retain or dispose of the goods without any further obligation. If you fail to make the goods available to the seller, or if you agree to return the goods to the seller and fail to do so, then you remain liable for performance of all obligations under the contract.

To cancel this transaction, mail or deliver a signed and dated copy of this Cancellation Notice or any other written notice, or send a telegram, to TRADEMARK ELECTRIC INC., at 3621 NW 27TH AVENUE , OCALA, FL, 34475 NOT LATER THAN MIDNIGHT OF

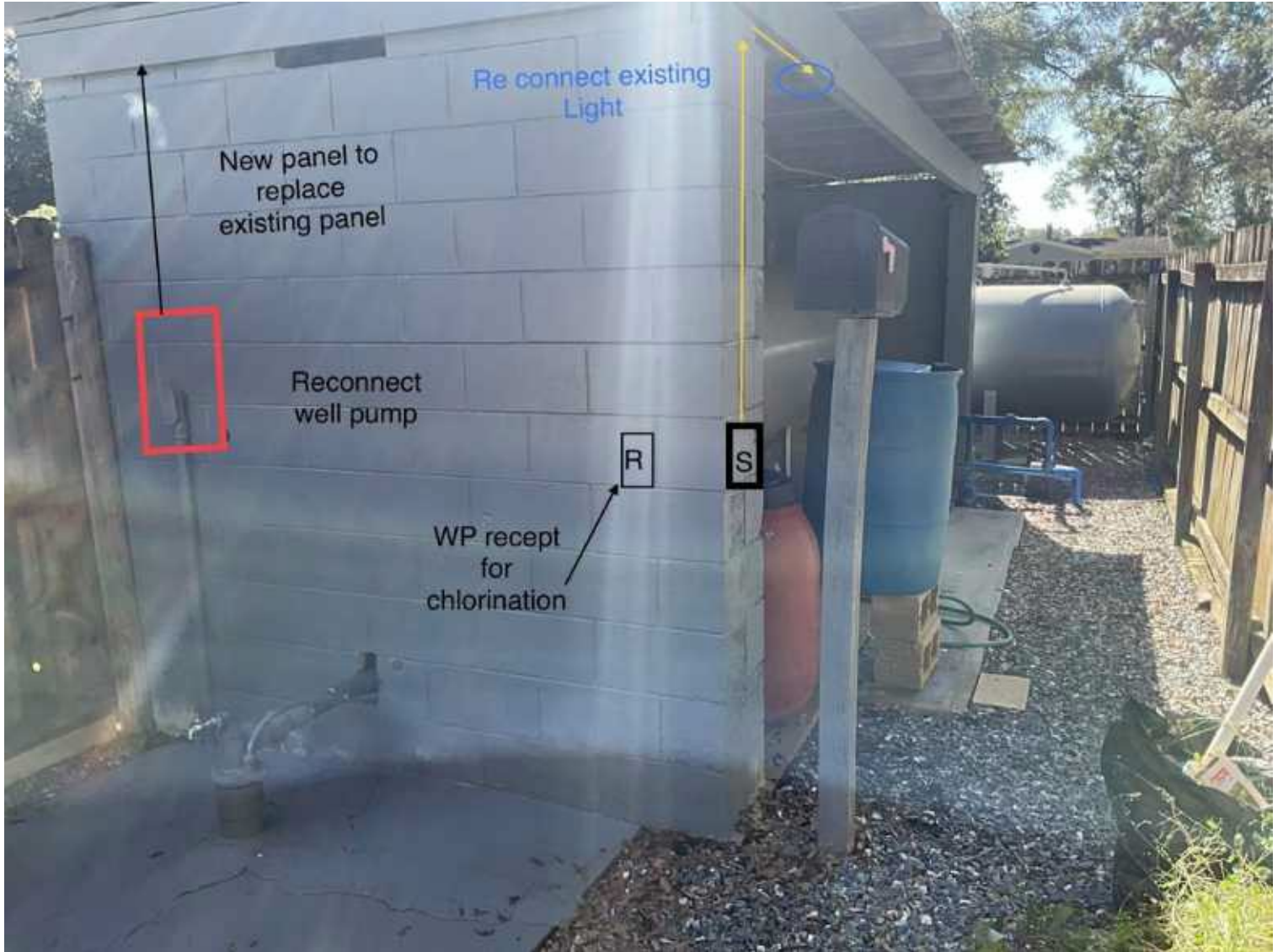
I HEREBY CANCEL THIS TRANSACTION.

(Date)

(Signature)























20/22/24 kW

GUARDIAN® SERIES Residential Standby Generators Air-Cooled Gas Engine

Standby Power Rating

G007038-1, G007039-1, G007038-3, G007039-3 (Aluminum - Bisque) - 20 kW 60 Hz
G007042-10, G007042-11, G007043-10, G007043-11 (Aluminum - Bisque) - 22 kW 60 Hz
G007209-10, G007210-10 (Aluminum - Bisque) - 24 kW 60 Hz

INCLUDES:

- True Power™ Electrical Technology
- Two-line multilingual digital LCD Evolution™ controller (English/Spanish/French/Portuguese)
- 200 amp service rated transfer switch available
- Electronic governor
- Standard Wi-Fi® connectivity
- System status & maintenance interval LED indicators
- Sound attenuated enclosure
- Flexible fuel line connector
- Natural gas or LP gas operation
- 5 Year limited warranty
- Listed and labeled for installation as close as 18 in (457 mm) to a structure.*
**Must be located away from doors, windows, and fresh air intakes and in accordance with local codes.*



Product shown with optional fascia kit



Note: CETL or CUL certification only applies to unbundled units and units packaged with limited circuit switches. Units packaged with the Smart Switch are ETL or UL certified in the USA only.

FEATURES

- 0 **INNOVATIVE ENGINE DESIGN & RIGOROUS TESTING** are at the heart of Generac's success in providing the most reliable generators possible. Generac's G-Force engine lineup offers added peace of mind and reliability for when it's needed the most. The G-Force series engines are purpose built and designed to handle the rigors of extended run times in high temperatures and extreme operating conditions.
- 0 **TRUE POWER™ ELECTRICAL TECHNOLOGY:** Superior harmonics and sine wave form produce less than 5% Total Harmonic Distortion for utility quality power. This allows confident operation of sensitive electronic equipment and micro-chip based appliances, such as variable speed HVAC systems.
- 0 **TEST CRITERIA:**

PROTOTYPE TESTED SYSTEM TORSIONAL TESTED	NEMA MG1-22 EVALUATION MOTOR STARTING ABILITY
---	--
- 0 **MOBILE LINK® CONNECTIVITY:** FREE with select Guardian Series Home standby generators. Mobile Link Wi-Fi allows users to monitor generator status from anywhere in the world using a smartphone, tablet, or PC. Easily access information such as the current operating status and maintenance alerts. Users can connect an account to an authorized service dealer for fast, friendly, and proactive service. With Mobile Link, users are taken care of before the next power outage.
- 0 **SOLID-STATE, FREQUENCY COMPENSATED VOLTAGE REGULATION:** This state-of-the-art power maximizing regulation system is standard on all Generac models. It provides optimized FAST RESPONSE to changing load conditions and MAXIMUM MOTOR STARTING CAPABILITY by electronically torque-matching the surge loads to the engine. Digital voltage regulation at ±1%.
- 0 **SINGLE SOURCE SERVICE RESPONSE** from Generac's extensive dealer network provides parts and service know-how for the entire unit, from the engine to the smallest electronic component.
- 0 **GENERAC TRANSFER SWITCHES:** Long life and reliability are synonymous with GENERAC POWER SYSTEMS. One reason for this confidence is that the GENERAC product line is offered with its own transfer systems and controls for total system compatibility.



Engine

- Generac G-Force design Maximizes engine “breathing” for increased fuel efficiency. Plateau honed cylinder walls and plasma moly rings help the engine run cooler, reducing oil consumption and resulting in longer engine life.
- “Spiny-lok” cast iron cylinder walls Rigid construction and added durability provide long engine life.
- Electronic ignition/spark advance These features combine to assure smooth, quick starting every time.
- Full pressure lubrication system Pressurized lubrication to all vital bearings means better performance, less maintenance, and longer engine life. Now featuring up to a 2 year/200 hour oil change interval.
- Low oil pressure shutdown system Shutdown protection prevents catastrophic engine damage due to low oil.
- High temperature shutdown Prevents damage due to overheating.

Generator

- Revolving field Allows for a smaller, light weight unit that operates 25% more efficiently than a revolving armature generator.
- Skewed stator Produces a smooth output waveform for compatibility with electronic equipment.
- Displaced phase excitation Maximizes motor starting capability.
- Automatic voltage regulation Regulating output voltage to ±1% prevents damaging voltage spikes.
- EPA Certified for non-emergency applications Allows unit to be used for demand response applications (excluding 20 kW units).
- UL 2200 listed For your safety.

Transfer Switch (if applicable)

- Fully automatic Transfers vital electrical loads to the energized source of power.
- NEMA 3R Can be installed inside or outside for maximum flexibility.
- Integrated load management technology Capability to manage additional loads for efficient power management.
- Remote mounting Mounts near an existing distribution panel for simple, low-cost installation.

Evolution™ Controls

- AUTO/MANUAL/OFF illuminated buttons Selects the operating mode and provides easy, at-a-glance status indication in any condition.
- Two-line multilingual LCD Provides homeowners easily visible logs of history, maintenance, and events up to 50 occurrences.
- Sealed, raised buttons Smooth, weather-resistant user interface for programming and operations.
- Utility voltage sensing Constantly monitors utility voltage, setpoints 65% dropout, 80% pick-up, of standard voltage.
- Generator voltage sensing Constantly monitors generator voltage to verify the cleanest power delivered to the home.
- Utility interrupt delay Prevents nuisance start-ups of the engine, adjustable 2-1500 seconds from the factory default setting of 5 seconds by a qualified dealer.
- Engine warm-up Verifies engine is ready to assume the load, setpoint approximately 5 seconds.
- Engine cool-down Allows engine to cool prior to shutdown, setpoint approximately 1 minute.
- Programmable exercise Operates engine to prevent oil seal drying and damage between power outages by running the generator for 5 minutes every other week. Also offers a selectable setting for weekly or monthly operation providing flexibility and potentially lower fuel costs to the owner.
- Smart battery charger Delivers charge to the battery only when needed at varying rates depending on outdoor air temperature. Compatible with lead acid and AGM-style batteries.
- Main line circuit breaker Protects generator from overload.
- Electronic governor Maintains constant 60 Hz frequency.

Unit

- SAE weather protective enclosure Sound attenuated enclosures ensure quiet operation and protection against mother nature, withstanding winds up to 150 mph (241 km/h). Hinged key locking roof panel for security. Lift-out front for easy access to all routine maintenance items. Electrostatically applied textured epoxy paint for added durability.
- Enclosed critical grade muffler Quiet, critical grade muffler is mounted inside the unit to prevent injuries.
- Small, compact, attractive Makes for an easy, eye appealing installation, as close as 18 in (457 mm) away from a structure.

Installation System

- 14 in (35.6 cm) flexible fuel line connector
Listed ANSI Z21.75/CSA 6.27 outdoor appliance connector for the required connection to the gas supply piping.
- Integral sediment trap
Meets IFGC and NFPA 54 installation requirements.

Connectivity (Wi-Fi equipped models only)

- Ability to view generator status
Monitor generator with a smartphone, tablet, or computer at any time via the Mobile Link application for complete peace of mind.
- Ability to view generator Exercise/Run and Total Hours
Review the generator's complete protection profile for exercise hours and total hours.
- Ability to view generator maintenance information
Provides maintenance information for the specific model generator when scheduled maintenance is due.
- Monthly report with previous month's activity
Detailed monthly reports provide historical generator information.
- Ability to view generator battery information
Built in battery diagnostics displaying current state of the battery.
- Weather information
Provides detailed local ambient weather conditions for generator location.

20/22/24 kW

Generator

Model	G007038-1 G007039-1 (20 kW)	G007042-10 G007043-10 (22 kW)	G007038-3 G007039-3 (20 kW)	G007042-11 G007043-11 (22 kW)	G007209-10 G007210-10 (24 kW)
Rated maximum continuous power capacity (LP)	20,000 Watts*	22,000 Watts*	20,000 Watts*	22,000 Watts*	24,000 Watts*
Rated maximum continuous power capacity (NG)	18,000 Watts*	19,500 Watts*	18,000 Watts*	19,500 Watts*	21,000 Watts*
Rated voltage	240				
Rated maximum continuous load current – 240 volts (LP/NG)	83.3 / 75.0	91.7 / 81.3	83.3 / 75.0	91.7 / 81.3	100 / 87.5
Total Harmonic Distortion	Less than 5%				
Main line circuit breaker	90 amp	100 amp	90 amp	100 amp	100 amp
Phase	1				
Number of rotor poles	2				
Rated AC frequency	60 Hz				
Power factor	1.0				
Battery requirement (not included)	12 Volts, Group 26R 540 CCA minimum or Group 35AGM 650 CCA minimum				
Unit weight (lb / kg)	448 / 203	466 / 211	436 / 198	445 / 202	455 / 206
Dimensions (L x W x H) in / cm	48 x 25 x 29 / 121.9 x 63.5 x 73.7				
Sound output in dB(A) at 23 ft (7 m) with generator operating at normal load**	67	67	67	67	67
Sound output in dB(A) at 23 ft (7 m) with generator in Quiet-Test™ low-speed exercise mode**	55	57	55	57	57
Exercise duration	5 min				

Engine

Engine type	GENERAC G-Force 1000 Series				
Number of cylinders	2				
Displacement	999 cc				
Cylinder block	Aluminum w/ cast iron sleeve				
Valve arrangement	Overhead valve				
Ignition system	Solid-state w/ magneto				
Governor system	Electronic				
Compression ratio	9.5:1				
Starter	12 VDC				
Oil capacity including filter	Approx. 1.9 qt / 1.8 L				
Operating rpm	3,600				
Fuel consumption					
Natural gas	ft ³ /hr (m ³ /hr)				
	1/2 Load	204 (5.78)	228 (6.46)	164 (4.64)	203 (5.75)
	Full Load	301 (8.52)	327 (9.26)	287 (8.13)	306 (8.66)
	1/2 Load	87 (2.37) [8.99]	92 (2.53) [9.57]	86 (2.36) [8.95]	92 (2.53) [9.57]
	Full Load	130 (3.56) [13.48]	142 (3.90) [14.77]	136 (3.74) [14.15]	142 (3.90) [14.77]

Note: **Fuel pipe must be sized for full load.** Required fuel pressure to generator fuel inlet at all load ranges - 3.5–7 in water column (0.87–1.74 kPa) for NG, 10–12 in water column (2.49–2.99 kPa) for LP gas. For BTU content, multiply ft³/hr x 2500 (LP) or ft³/hr x 1000 (NG). For Megajoule content, multiply m³/hr x 93.15 (LP) or m³/hr x 37.26 (NG).

Controls

Two-line plain text multilingual LCD	Simple user interface for ease of operation.
Mode buttons: AUTO	Automatic start on utility failure. Weekly, Bi-weekly, or Monthly selectable exerciser.
MANUAL	Start with starter control, unit stays on. If utility fails, transfer to load takes place.
OFF	Stops unit. Power is removed. Control and charger still operate.
Ready to Run/Maintenance messages	Standard
Engine run hours indication	Standard
Programmable start delay between 2–1500 seconds	Standard (programmable by dealer only)
Utility Voltage Loss/Return to Utility adjustable (brownout setting)	From 140-171 V / 190-216 V
Future Set Capable Exerciser/Exercise Set Error warning	Standard
Run/Alarm/Maintenance logs	50 events each
Engine start sequence	Cyclic cranking: 16 sec on, 7 rest (90 sec maximum duration).
Starter lock-out	Starter cannot re-engage until 5 sec after engine has stopped.
Smart Battery Charger	Standard
Charger Fault/Missing AC warning	Standard
Low Battery/Battery Problem Protection and Battery Condition indication	Standard
Automatic Voltage Regulation with Over and Under Voltage Protection	Standard
Under-Frequency/Overload/Stepper Overcurrent Protection	Standard
Safety Fused/Fuse Problem Protection	Standard
Automatic Low Oil Pressure/High Oil Temperature Shutdown	Standard
Overcrank/Overspeed (@ 72 Hz)/rpm Sense Loss Shutdown	Standard
High Engine Temperature Shutdown	Standard
Internal Fault/Incorrect Wiring protection	Standard
Common external fault capability	Standard
Field upgradable firmware	Standard

Rating definitions - Optional Standby: Applicable for supplying backup power for the duration of the utility power outage with correct maintenance performed. No overload capability is available for this rating. (All ratings in accordance with B55514, ISO3046, UL2200, and DIN6271).

* Maximum kilovolt amps and current are subject to and limited by such factors as fuel BTU/megajoule content, ambient temperature, altitude, engine power and condition, etc. Maximum power decreases approximately 3.5% for each 1,000 ft (304.8 m) above sea level; and also will decrease approximately 1% for each 10 °F (6 °C) above 60 °F (16 °C).

**Sound levels are taken from the front of the generator. Sound levels taken from other sides of the generator may be higher depending on installation parameters.

20/22/24 kW

Service Rated Automatic Transfer Switch Features

- Intelligently manages up to four air conditioner loads with no additional hardware.
- Up to eight additional large (240 VAC) loads can be managed when used in conjunction with Smart Management Modules (SMMs).
- Electrically operated, mechanically-held contacts for fast, clean connections.
- Main breakers are rated for 80% continuous load.
- 2-pole, 250 VAC contactors.
- Service equipment rated, dual coil design.
- Rated for both aluminum and copper conductors.
- Main contacts are silver plated or silver alloy to resist welding and sticking.
- NEMA/UL 3R aluminum outdoor enclosure allows for indoor or outdoor mounting flexibility.

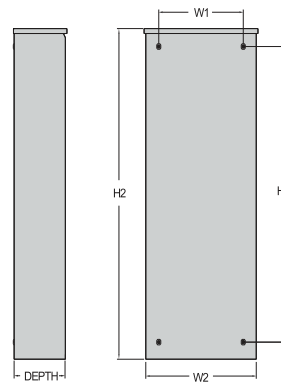
Model	G007039-1, G007039-3 (20 kW) G007043-10, G007043-11 (22 kW) G007210-10 (24 kW)
No. of poles	2
Current rating (amps)	200
Voltage rating (VAC)	120/240, 1Ø
Utility voltage monitor (fixed)*	
-Pick-up	80%
-Dropout	65%
Return to Utility*	Approx. 13 sec
ETL or UL listed	Standard
Enclosure type	NEMA/UL 3R
Circuit breaker protected	22,000
Lug range	250 MCM - #6

*Function of Evolution controller
Exercise can be set to weekly, bi-weekly, or monthly

Dimensions

200 Amps 120/240, 1Ø Open Transition Service Rated					
	Height		Width		Depth
	H1	H2	W1	W2	
in	26.8	30.1	10.5	13.5	6.9
cm	67.95	76.43	26.67	34.18	17.5

Wire Ranges		
Conductor Lug	Neutral Lug	Ground Lug
250 MCM - #6	350 MCM - #6	2/0 - #14



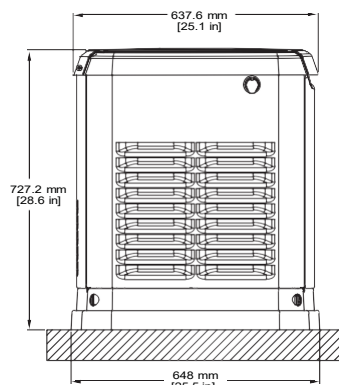
20/22/24 kW

Available Accessories

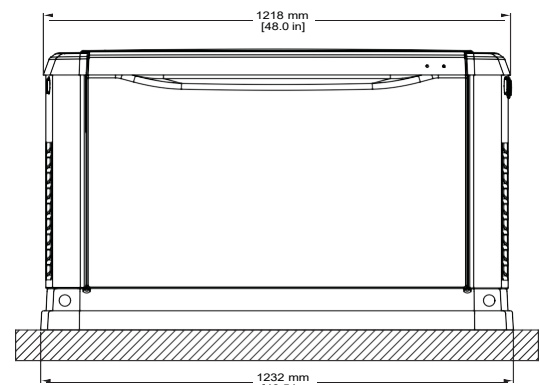
Model #	Product	Description
G007101-0	Battery Pad Warmer	Pad warmer rests under the battery. Recommended for use if temperature regularly falls below 0 °F (-18 °C). (Not necessary for use with AGM-style batteries).
G007102-0	Oil Warmer	Oil warmer slips directly over the oil filter. Recommended for use if temperature regularly falls below 0 °F (-18 °C).
G007103-1	Breather Warmer	Breather warmer is for use in extreme cold weather applications. For use with Evolution controllers only in climates where heavy icing occurs.
G005621-0	Auxiliary Transfer Switch Contact Kit	The auxiliary transfer switch contact kit allows the transfer switch to lock out a single large electrical load that may not be needed. Not compatible with 50 amp pre-wired switches.
G007027-0 - Bisque	Fascia Base Wrap Kit	The fascia base wrap snaps together around the bottom of the new air-cooled generators. This offers a sleek, contoured appearance as well as offering protection from rodents and insects by covering the lifting holes located in the base.
G005703-0 - Bisque	Touch-Up Paint Kit	If the generator enclosure is scratched or damaged, it is important to touch up the paint to protect from future corrosion. The touch-up paint kit includes the necessary paint to correctly maintain or touch up a generator enclosure.
G006485-0	Scheduled Maintenance Kit	Generac's scheduled maintenance kit provides all the items necessary to perform complete routine maintenance on a Generac automatic standby generator (oil not included).
G007005-0	Wi-Fi LP Tank Fuel Level Monitor	The Wi-Fi enabled LP tank fuel level monitor provides constant monitoring of the connected LP fuel tank. Monitoring the LP tank's fuel level is an important step in verifying the generator is ready to run during an unexpected power failure. Status alerts are available through a free application to notify users when the LP tank is in need of a refill.
G007000-0 (50 amp) G007006-0 (100 amp)	Smart Management Module	Smart Management Modules (SMM) are used to optimize the performance of a standby generator. It manages large electrical loads upon startup and sheds them to aid in recovery when overloaded. In many cases, using SMM's can reduce the overall size and cost of the system.
G007169-0 - 4G LTE G007170-0 - Wi-Fi/ Ethernet	Mobile Link® Cellular Accessories	The Mobile Link family of Cellular Accessories allow users to monitor generator status from anywhere in the world, using a smart phone, tablet, or PC. Easily access information such as the current operating status and maintenance alerts. Users can connect an account with an authorized service dealer for fast, friendly, and proactive service. With Mobile Link, users are taken care of before the next power outage.
G007220-0 - Bisque	Base Plug Kit	Base plugs snap into the lifting holes on the base of air-cooled home standby generators. This offers a sleek, contoured appearance, as well as offers protection from rodents and insects by covering the lifting holes located in the base. Kit contains four plugs, sufficient for use on a single air-cooled home standby generator.

Dimensions & UPCs

Model	UPC
G007038	696471074185
G007039	696471074192
G007042	696471074208
G007043	696471074215
G007209	696471071511
G007210	696471084801



LEFT SIDE VIEW



FRONT VIEW

Dimensions shown are approximate. See installation manual for exact dimensions. DO NOT USE THESE DIMENSIONS FOR INSTALLATION PURPOSES.

Automatic Transfer Switches

Service Rated Automatic Transfer Switch with 20–40 Circuit Load Center

200 Amps, Single Phase
Model: RXGW20SHA3



Description

Generac Transfer Switches are designed for use with single phase generators that utilize an Evolution™ or Nexus™ Controller. The 200 amp open transition switch is a single phase service entrance rated configuration. An integrated load center with pass through lugs allows branch circuit protection for outbuildings, while also feeding a home's main distribution panel.

Standard Features

Service Rated Generac Automatic Transfer Switches are housed in an aluminum Type 3R enclosure, with electrostatically applied and baked powder paint. The Heavy Duty Generac Contactor is an ETL recognized device, designed for years of service. The controller at the generator handles all the timing, sensing, exercising functions, and transfer commands. The integrated 20 space load center accepts 1 in (25.4 mm) standard, GFCI, AFCI, or tandem circuit breakers from Siemens, Murray, Eaton, and Square D for the most flexible and cost effective install. Utilizing tandem breakers, the load center can be equipped to support up to 40 individual circuits. All switches are covered by a 5 year limited warranty.

Load Management Technology

Through the use of the integrated Smart A/C Module (SACM), these switches have the capability to manage up to four individual HVAC (24 VAC controlled) loads with no additional hardware. When used in tandem with external Smart Management Modules (SMM), a total of eight more loads can be managed, providing the most installation efficient power management options available.

200 Amps, Single Phase

Automatic Transfer Switches

Functions

All timing and sensing functions originate in the generator controller.

Utility Voltage Drop-out	<65%
Timer to Generator Start	5 Second Factory Set, Adjustable Between 2 - 1,500 Seconds by a Qualified Dealer*
Engine Warmup Delay	5 Seconds
Standby Voltage Sensor	60% for 5 Seconds
Utility Voltage Pickup	>80%
Re-transfer Time Delay	15 Seconds
Engine Cooldown Timer	60 Seconds
Exerciser	Nexus™: 12 Minutes Weekly Evolution™: 5 to 12 Minutes Adjustable, Weekly/Bi-weekly/Monthly
The Transfer Switch can be Operated Manually Without Power Applied	

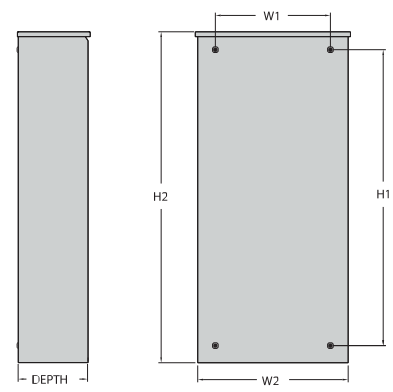
* When used in conjunction with units utilizing Evolution™ controls

Specifications

Model	RXGW20SHA3
Amps	200
Voltage	120/240, 1ø
Load Transition Type (Automatic)	Open Transition Service Rated
Enclosure Type	NEMA 3R
Compliance	ETL
Withstand Rating (Amps)	10,000 22,000*
Integrated Load Center	20-40
*When used with 1 in (25.4 mm) Siemens or Murray breakers.	


Dimensions, Weight, and Wire Ranges

Model		RXGW20SHA3
Height (in/cm)	H1	35.0 / 88.9
	H2	38.5 / 97.8
Width (in/cm)	W1	14.0 / 35.5
	W2	17.6 / 44.7
Depth (in/cm)		8.0 / 20.3
Weight (lbs/kg)		45 / 20.4
Wire Range		#1 - 300 MCM Al/CU 75 °C






Customer Ratings and Reviews

 4.94533 /5 Overall Rating

98.41% of customers recommend this dealer

 5 /5 Outstanding customer service

McBill from Ocala State : FL

I am more than impressed with Trademark Electric. Bert and Matt were very professional and knowledgeable.

Since I've purchased this generator, it has been nothing but trouble. In fact, this unit has been inoperable for the past two years. Four "authorized Generac" certified service companies haven't had a clue of what the problem was or how to fix it.


Within 30 minutes after arriving at our residence, Bert and Matt had the generator fully operational. Amazing! After repairing the initial problem, they thoroughly inspected the entire unit and transfer switch.

Generac customer support has been totally useless during this entire ordeal.

I was very close to scrapping this device and purchasing a new unit - I didn't even consider (not for a minute) Generac as a possible replacement.

Thank you Trademark Electric.

Bill Findlay

 5 /5 A definite homerun

Al from Summerfield State : FL

By far this has been the most satisfying purchase and installation I have ever experienced. From the office personnel to the sales people and finally to Ben & Matt the installers, they are all very professional, knowledgeable, polite and just a great company to work with. If your looking for a generator get a Generac and for sure call Trademark Electric.

★★★★★ 5 /5 This dealer is absolutely the best!!

Dave2 **from** Leesburg **State** : FL

I am very satisfied with the response time, the professionalism of the office staff and the technician who worked on our whole house generator. Your repairman was very courteous, knowledgeable and spent time to patiently answer my questions and concerns. I would definitely recommend this dealer to anyone needing service calls.

★★★★★ 5 /5 Super Service

LockOne **from** Hawthorne **State** : FL

I was having an overspeed problem with my Generac Generator. The service company that I was using had not been successful in correcting the trouble. A friend recommended Trademark. I called and setup an appointment for the next morning. Matt arrived right on time and within a short time he diagnosed the problem. He replaced the defective part, had a replacement on the truck! He checked everything over thoroughly and did the yearly service. I was very satisfied with everything. It's hard to find service like this anymore. Highly Recommend

★★★★★ 5 /5 Outstanding service

Joe16 **from** Gainesville **State** : FL

As promised, here is my review after completion of my rescheduled service call. Everything went perfectly. Received a call that Bert was on his way, and he arrived promptly at the scheduled time. He quickly diagnosed the problem and had it fixed in short order. I was impressed with Bert's knowledge, thoroughness, and willingness to explain things to me. Among other things, I learned that my generator is capable of powering two circuits that were not originally included. This will get my entire living area plus a detached garage on the generator. I plan to schedule this new work with Trademark Electric as soon as possible. I am a retired quality manager and have high expectations for quality work and customer service. I understand that problems may occur even with the best of companies. The real test for quality is how they respond when there is a problem. I am pleased to report that Trademark Electric has exceeded my high expectations, and has earned my highest recommendation for excellence in Generac service.

★★★★★ 5 /5 Highly Recommended

dlp **from** Ocala **State** : FL

It was a pleasure working with this company, They provided all the information I was looking for in a timely manner, It allowed my wife and I to review what we desired to do, and from that point on interaction was just outstanding. Professional installation, on time and well informed. I had an older model Generac system that I now am having repaired and will have it reinstalled onto another piece of property and have no reservations in their ability to repair the older model. Office staff was courteous and was also pleasant to work with.

★★★★★ 5 /5 Competent, Professional and Prompt.

roamlog33 **from** Dunnellon **State** : FL

I contacted five(5) dealers in the area. I called Trademark in the morning and they had a representative there that afternoon to review my requirements and the physical layout. They were the only dealer that responded that had the size generator I wanted in stock. They coordinated the entire install to include the gas tank and all other issues and the installation was flawless. All this at a total price that was lower than any price quoted by the other responding dealers. These guys have my highest recommendation.

★★★★★ 5 /5 The response time & service were excellent. Very good price!


Soni **from** Leesburg **State** : FL

I was GREATLY impressed with Trademark Electric's service, knowledge & price! I had called 4 other dealers before I called Trademark, because I lived pretty far from their shop. Every other dealer said it would take 5 to 8 weeks to buy and set-up the generator I wanted. There was a medical need for this generator and I had only 8 DAYS to buy it and have it completely set up! Trademark gave me a very good price and had it completely set up and operating perfectly in 7 days. The gas company said they had never heard of any generator dealer being able to do a set-up that quick. There is not room in this Review for how many nice things I would like to say about Trademark Electric. The bottom line: you could not do better anywhere else!

★★★★★ 5 /5 Excellent dealer

GCO **from** Ocala **State** : FL

I was extremely satisfied with every part of buying and having my generator installed by this most professional dealer.

 5 /5 Let there be Light !

Ocalakid **from** OCALA **State** : FL

Trademark Electric beat all the others when it came to cost . They quickly filed for the permit and within a week I had my new Generac Generator installed. Very professionally done and a great clean up afterwards .

General Installation Notes:

1. Signing this proposal signifies agreement with all notes in the contract.
2. 10% deposit and signed contract required upon acceptance of this contract to begin the process.
3. Remaining balance due on day of installation.
4. Generators will be installed approximately 8 to 10 weeks from point of signing contract depending on shipments from Generac. **Installation dates subject to change per Generac's production of units.**
5. Does not include liquid propane/natural gas/hookup/tank/fuel/ gas permitting... can be coordinated upon request. It is customer's responsibility to make initial contact with whichever gas contractor they choose to complete the job. Trademark can provide a list of companies we recommend upon request.
6. Includes complete electrical hook up by a Power Pro Premier Generac certified dealer. Installation includes start up, testing and registration of warranty, battery, and 15' of wiring from generator to switch.
7. Not included in the price is the correcting of any existing electrical issue that is not work performed or equipment installed by Trademark Electric. Price subject to change based on authority having jurisdiction.
8. On installation day, we will bring a portable LP tank so that we can start the generator, test it, and answer any questions you have.
9. Customers are responsible for paying disconnect fees by their respective power companies if so charged.
10. Wi-Fi connection to standard air cooled generator for mobile link is dependent upon customers' Wi-Fi signal. Customer may be responsible for increasing Wi-Fi signal. Trademark Electric is not responsible for Wi-Fi signal.
11. All generators come with a staggered five-year warranty. Extended warranties will be listed in the job specific notes shown below.
12. Smart management modules come with a standard one-year warranty.
13. Oil changes and preventative maintenance items are not covered by warranties.
14. Customer must submit paperwork for ARC and HOA approval (unless otherwise stated in the contract). In the Villages, building permits cannot be obtained until we provide the ARC approval.
15. For financing through Synchrony: Synchrony charges a \$29 processing fee for financing. Trademark charges a 10% deposit which will be collected at time of signing the contract, and will be subtracted from the price. Permit fees are nonrefundable. Payments do not begin until the generator is installed. Finance options are as follows:
 - a. 0% interest for 18 months.
 - b. 5.99% interest for 37 months.
 - c. 7.99% interest for 61 months.
 - d. 9.99% interest for 132 months.

If interested in financing, feel free to contact Coral at the office or visit the methods of payments tab on our website to get approved.
16. For all contracts canceled after the three-day grace period 10% will be subtracted for a restocking fee and permitting costs.
17. If changing generator location after permit has been pulled, additional \$250 permit fee plus additional linear footage will be charged,
18. The homeowner, not Trademark, is responsible to ensure that their property and the location of the generator is not in a flood zone. Any locations in a flood zone will require a flood certificate, flood marker, and engineered platform. Trademark can provide these services for an additional cost.
19. Customer is responsible for maintaining and scheduling the preventative maintenance for the generator to keep the warranty active.
20. For extended power outages, air cooled generators must be shut down manually for one hour every 24 hours of continuous run time.
21. Transfer switches and smart management modules are surface mounted.
22. Carbon monoxide detectors are customers' responsibility.
23. Generator does an automatic exercise cycle once a week. It does not transfer power at that time (you won't have to reset your clocks every week).
24. Putnam and Orange county have delayed permitting times (1 to 2 months)
25. Customers responsible for providing land survey in Flagler and Putnam county. Trademark can provide for additional cost. (price is to be determined... prices vary from county to county)
26. Pictures included in the contract are an approximate location of generator placement, it is not exact.
27. Generators cannot be visible from the street in the city of Gainesville. If they will be visible, customer is responsible for providing some type of coverage such as a fence or greenery at their own expense.
28. For installation, customer will ensure that all work areas are cleared for installation prior to installation day.
29. Homeowner is responsible for removal or reconfiguration of landscaping or irrigation. (Provided by others)
30. Generac cart or crane truck will be used to install generator.
31. Power will be out an average of 2 to 4 hours while generator and transfer switch are installed.
32. Customer is responsible for being present at the time of final electrical inspection after gas installation has been completed. Final ELECTRICAL inspection needs to be scheduled through Trademark Electric.