

WELL COMPLETION LOG

WACID# 39859 CL3

Location: Citrus County Central Landfill

Work Order # 3370

State Road 44 Lecanto, Florida

Permit 5009-111795

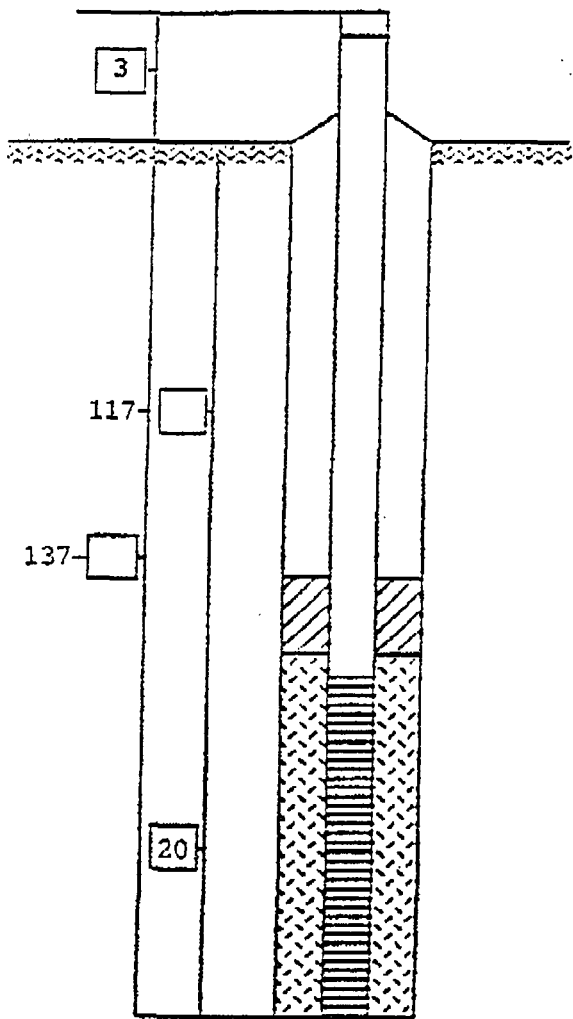
Client: Citrus County

Date: March 25, 1997

Well Number: MW-7 Contact: Susan Metcalf

Installed By: Doug Heath

Other Services Performed: _____



Flush Manhole
 Above Grade Protector
 None

 Concrete 26 Bags
 Cement Grout 18 Bags
 Risar - Type PVC
 Size 2"

 Bentonite Yes

 Screen - Type PVC
 Size 2" .060 slot

 Filter Type 60/45 silica

Development: Bailed _____, Pumped , Air Lift _____, Surge _____, Swab _____, None _____
 Total Time: 8 Hours Total Gallons: 23
 Water Appearance: Start Cloudy Finish Clear

Environmental Drilling Service, Inc.

Log of Boring

Location Citrus Cty Landfil
SR 44 Citrus Cty. Fl.
 Client Citrus Cty
 Project # _____
 Boring # MW-7
 Method: Hammer adv. xx, Thru auger _____, Rotary xx, Split spoon xx, Shelby tube _____
 Static water level 115'

Driller _____
 Drill Crew _____
 Boring begin date _____

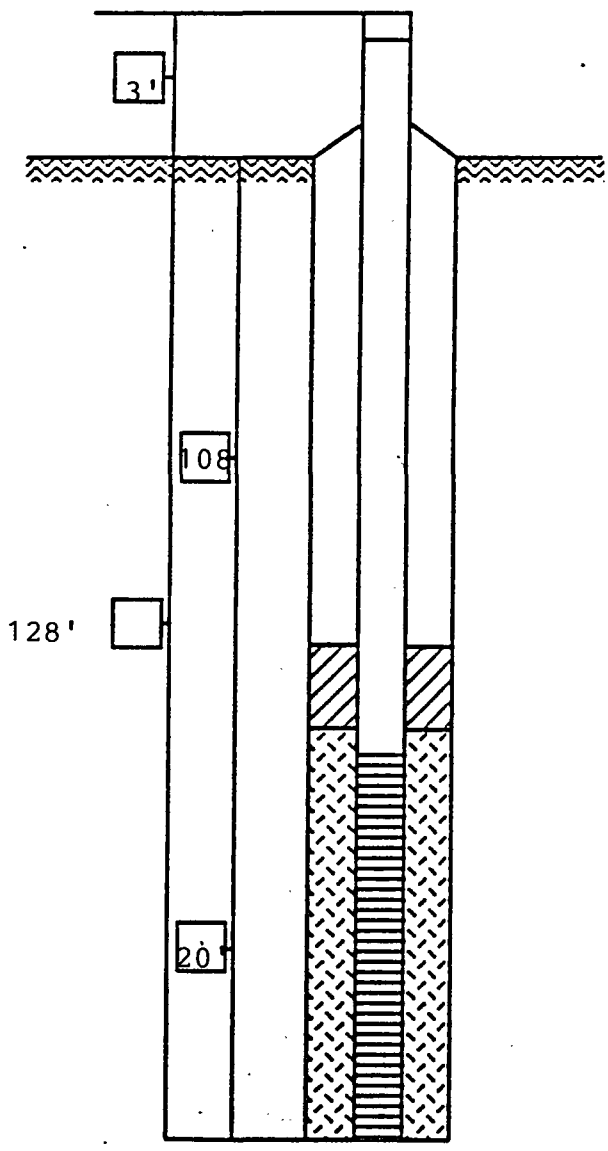
Sample #	Sample Depth	N Value	Sample Type	Water Presence	Description/remarks
MW-7	5-7	4,5,5,9	S.S.	Dry	
	10-7	6,8,10,10			Fine-Med sands
	15-17	8,8,7,8			orange
	20-22	10,14,12,18			
	25-27	10,10,8,10			clay orange to red
	30-32	7,9,7,14			
	35-37	5,7,7,12			
	40-42	6,7,9,9			tan fine sands
	45-47	10,12,18,17			
	50-52	7,6,6,14			
	55-57	10,14,16,15			
	60-62	11,12,12,16			
	65-67	5,6,7,12			tan clayey sands
	70-72	9,7,7,11			
	75-77	9,12,15,17			
	80-82	14,23,18,12			
	85-87	10,12,19,24			
	90-92	14,14,12,16			
	95-97	19,15,13,19			
	100-102	12,14,14,19			
	105-107	21,50 +			
	110-112	50+	NR	Wet	silty fine-med sands
	115-117	29,41,34,50	NR		
	110-122	37,50 +			
	125-127	29,32,50 +			tan white
	130-132	26,29,50 +			
					F.O.B.

Environmental Drilling Service, Inc.



WELL COMPLETION LOG

Location: Central Landfill 230 W. Gulf to Lake Blvd. Work Order # 3479
Lecanto Fl.
 Client: Citrus County Date: October, 20 1997
 Well Number: 8-R Contact: Susan Metcalf
 Installed By: Doug, Roger, Scott
 Other Services Performed: _____



Flush Manhole
 Above Grade Protector
 None

Concrete 20 Bags
 Cement Grout 20 Bags
 Riser - Type Johnson PVC.
 Size 2"

Bentonite 1 Bucket

Screen - Type Johnson PVC.
 Size 2" .060 slot

Filter Type 30/65

Development: Bailed _____, Pumped , Air Lift _____, Surge _____, Swab , None _____
 Total Time: _____ Total Gallons: _____
 Water Appearance: Start _____ Finish _____

Log of Boring

Location Central Landfill
230 W. Gulf to Lake Blvd.
 Client Citrus County
 Project # _____
 Boring # MW #8R
 Method: Hammer adv. , Thru auger _____, Rotary , Split spoon , Shelby tube _____
 Static water level 111'

Driller Doug H.
 Drill Crew Roger Scott.
 Boring begin date October 20 1997

Sample #	Sample Depth	N Value	Sample Type	Water Presence	Description/remarks
	0-4'	NA	PH	DRY	Brn. Sand (Fill)
	5-7'	4,5,5,4	SS.		
	10-12'	4,4,4,4			
	15-17'	3,4,3,5			
	20-22'	6,5,6,7			Tan Sands
	25-27'	5,5,6,5			
	30-32'	7,7,6,5			
	35-37'	6,8,7,7			
	40-42'	4,8,8,9			
	45-47'	9,7,6,7			
	50-52'	6,5,5,6			
	55-57'	8,9,9,7			
	60-62'	9,9,10,11			
	65-67'	11,10,8,			
	70-72'	11,8,10,			Lt. Tan Fn. Sand
	75-77'	21,24,22			
	80-82'	7,9,18,21			
	85-87'	11,12,9,			
	90-92'	13,15,18			
	95-97'	21,10,50+			Tan Clayey Sand
	100-102'	50+			
	105-107'	50+		Wet	
	110-112'	50+			
	115-117'	24,19,50+			Lt. Gray/Brn. Fn. Sand
	120-122'	11,14,10			
	125-127'	50+			Lt. Gray/Brn Fn. Sand W/ Limestone Frag.
					E.O.B.

WELL COMPLETION LOG

Location: Citrus County Central Landfill
State Road 44 Lecanto, Florida

Work Order # 3370

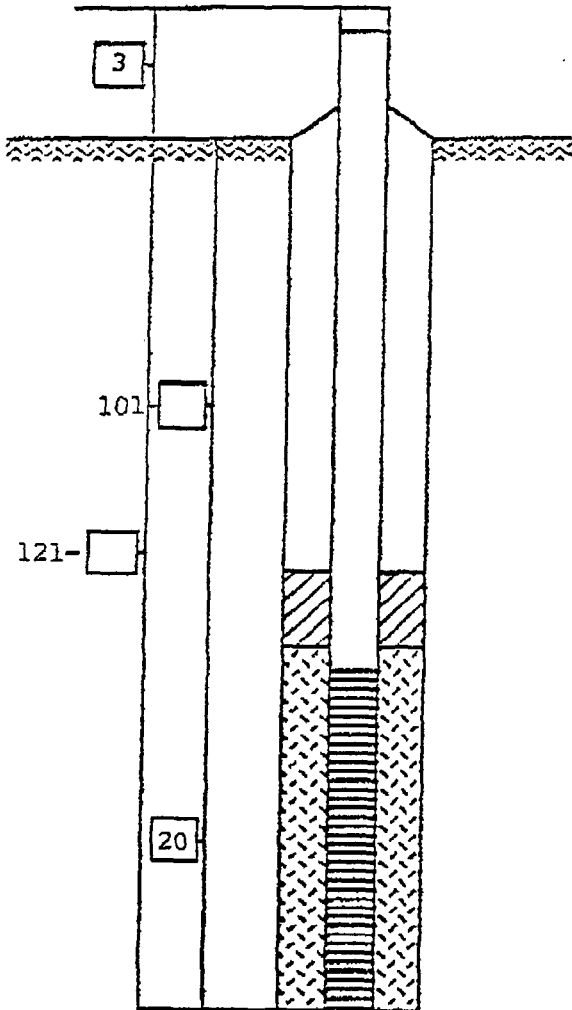
Client: Citrus County

Date: April 1, 1997

Well Number: MW-9 Contact: Susan Metcalf

Installed By: Doug Heath

Other Services Performed: _____



_____ Flush Manhole
x Above Grade Protector
 _____ None

Concrete 25 Bags

Cement Grout 23 Bags

Riser - Type PVC

Size 2"

Bentonite Yes

Screen - Type PVC

Size 2" .060 Slot

Filter Type 60/45 Silica

Development: Bailed _____, Pumped x, Air Lift _____, Surge _____, Swab _____, None _____

Drilling Time: 8 Hours

Total Gallons: 20

Water Appearance: Start Cloudy

Finish Clear

Environmental Drilling Service, Inc.

Log of Boring

Location Citrus Cty Landfill
SR 44 Citrus Cty
 Client Citrus Cty
 Project # _____
 Boring # MW-9
 Method: Hammer adv. X, Thru auger _____, Rotary X, Split spoon X, Shelby tube _____
 Static water level 104.5'

Driller Doug Heath
 Drill Crew Roger, Don
 Boring begin date 3-27-97

Sample #	Sample Depth	N Value	Sample Type	Water Presence	Description/remarks
MW-9	0-4		PH	Dry	Orange clay
	5-9	5,4,4,11	SS		fill
	10-12	11,14,10,12			
	15-17	9,7,7,14			brown clayey sands
	20-22	13,12,15,17			
	25-27	11,9,9,7			
	30-32	10,10,11,16			
	35-37	8,5,7,11			tan sands
	40-42	10,12,13,18			
	45-47	7,6,6,12			
	50-52	5,7,9,14			
	55-57	5,8,8,9			
	60-62	11,18,17,24			
	65-67	10,21,50 +			soft rock
	70-72	24,50 +			limestone
	75-77	50 +			
	80-82	31,50 +			
	85-87	17,31,27,49			soft rock
	90-92	24,18,16,41			
	95-97	37,50 +			loss mud flow
	100-102	50 +			
	105-107	32,41,50 +		Wet	sands
	110-112	48,50 +			wet rock
	115-117	50 +			rock
					E.O.B.

Environmental Drilling Service, Inc.

