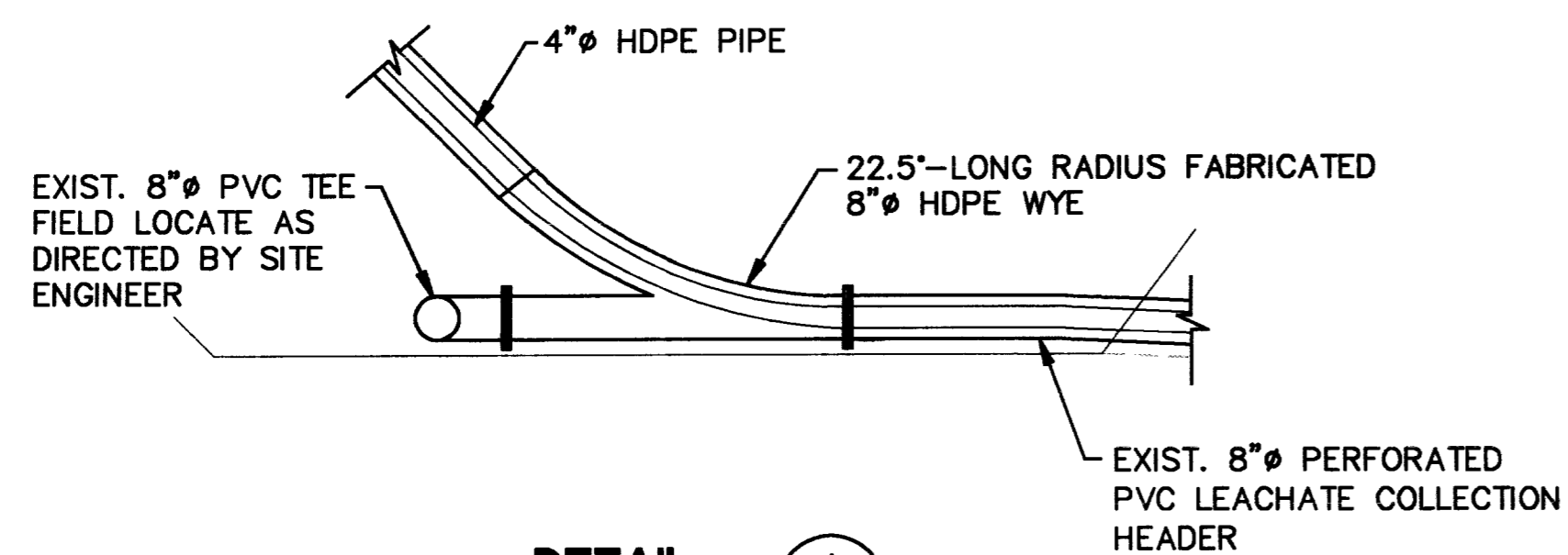
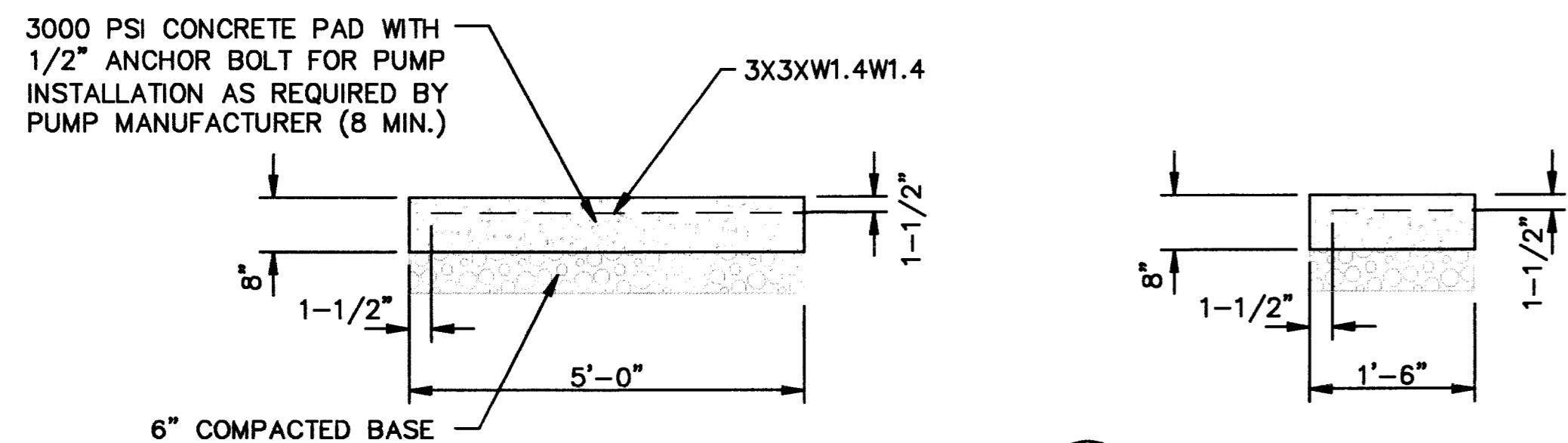


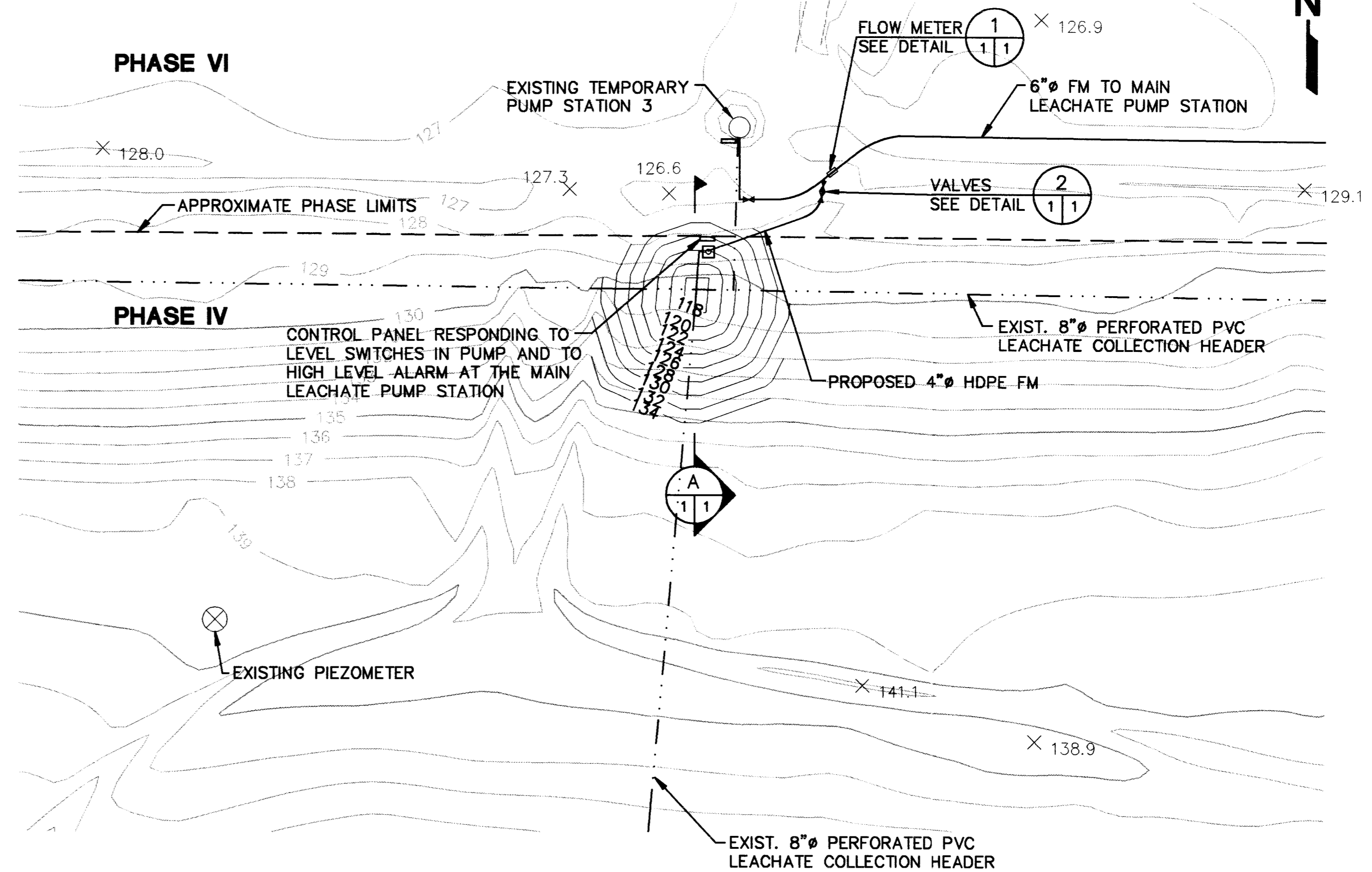
DETAIL 3
NOT TO SCALE 1/1



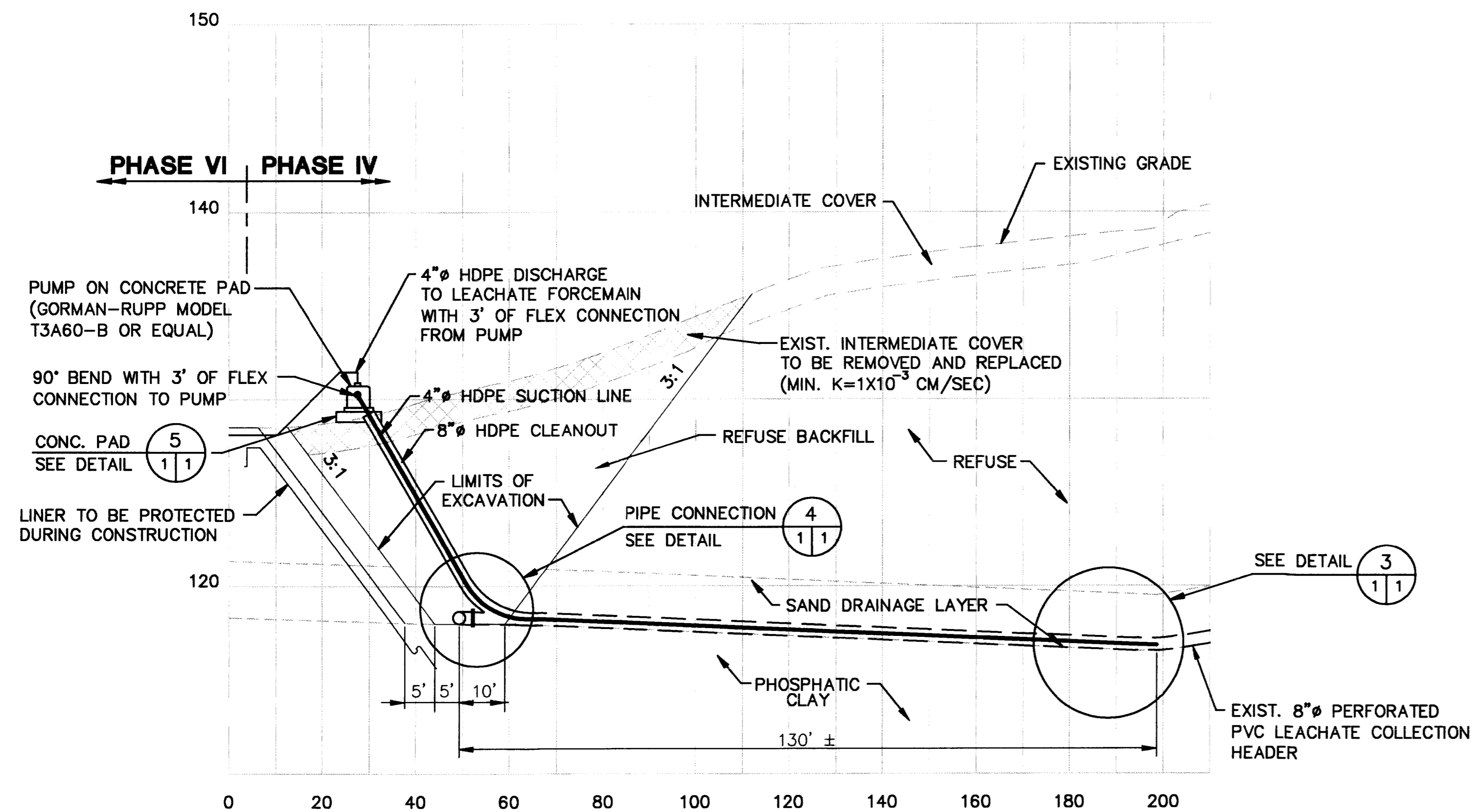
DETAIL 4
NOT TO SCALE 1/1



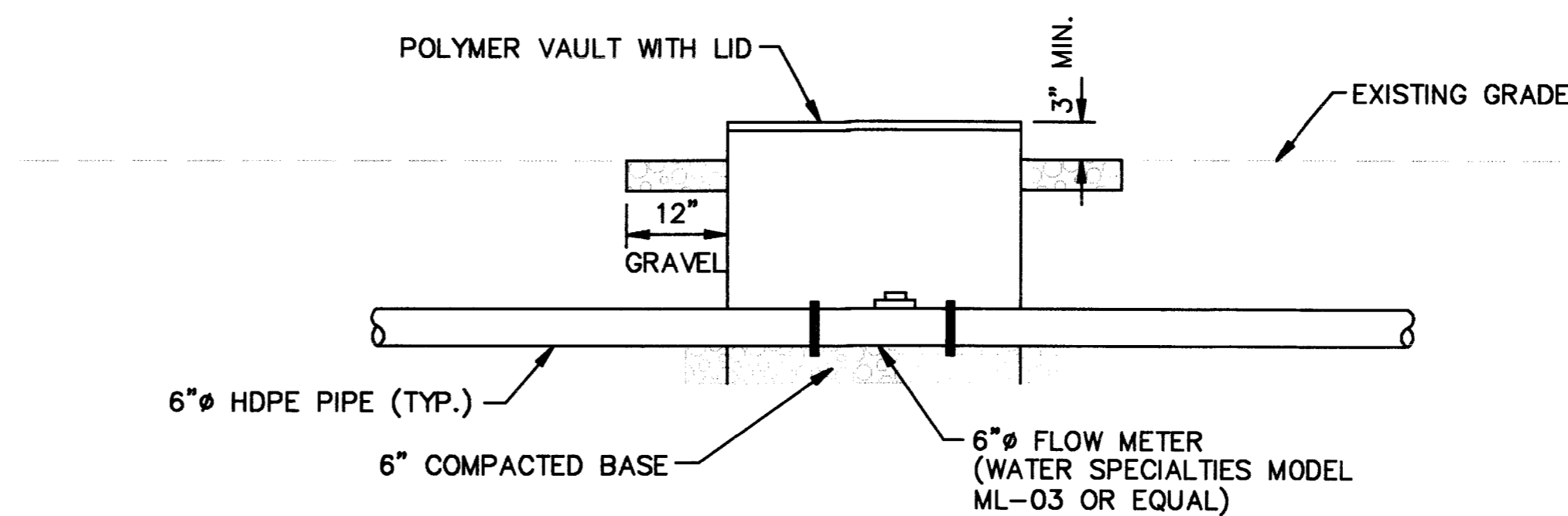
CONCRETE PAD 5
NOT TO SCALE 1/1



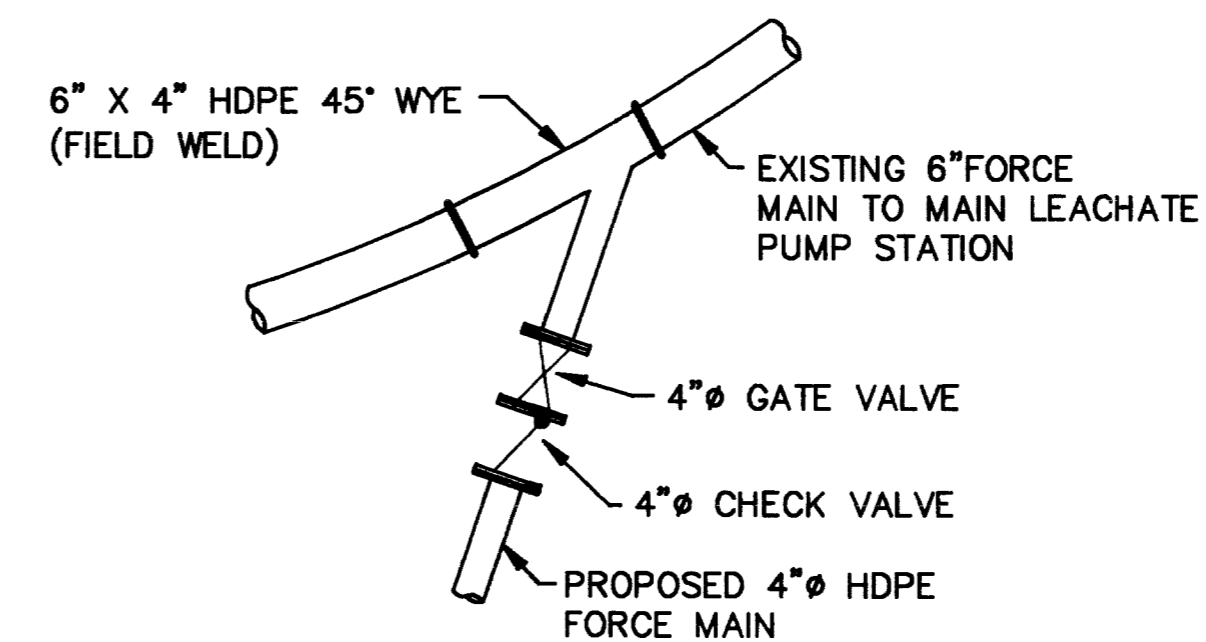
PLAN
SCALE: 1"=40'



SECTION A
NOT TO SCALE 1/1



DETAIL 1
NOT TO SCALE 1/1



DETAIL 2
NOT TO SCALE 1/1

	CK. BY	
	DESCRIPTION	
REV. DATE		
DRAWING TITLE	ALTERNATE 1 SUCTION LINE	
PROJECT TITLE	TEMPORARY PUMP STATION NO. 5 SOUTHEAST COUNTY LANDFILL	
CLIENT	HILLSBOROUGH COUNTY DEPARTMENT OF SOLID WASTE TAMPA, FLORIDA	
SCS ENGINEERS STEARNS, CONRAD AND SCHMIDT CONSULTING ENGINEERS 3042 U.S. HWY. 301 NORTH, SUITE 700, TAMPA, FL 33609 PH (813) 651-0080 FAX NO. (813) 623-6757 PROJ. NO. 0990018.35 DWN. BY: LER CHK. BY: LER APP. BY: REG	CADD FILE:	NSUMP5
	DATE:	AUGUST 4, 1995
	SCALE:	AS SHOWN
	DRAWING NO.	1 of 1