

November 21, 2011

Ms. Danielle D. Henry  
Environmental Compliance Manager  
Air Section  
Southwest District  
Florida Department of Environmental Protection  
13051 North Telecom Parkway  
Temple Terrace, Florida 33637-0926

Dept. of Environmental  
Protection

NOV 28 2011

Southwest District

**RE: Notice of Temporary Landfill Gas Collection System Construction for  
Area Impacted by Sinkhole  
Southeast County Landfill, Hillsborough County, Florida  
Operation Permit No.: 0570854-007-AV**

Dear Ms. Henry:

The purpose of this letter is to inform you that the Hillsborough County Public Utilities Department, Solid Waste Management Group (County), plans on installing temporary measures to provide for partial collection of landfill gas (LFG) generated within the area of Phase 5 which was previously impacted by the development of a sinkhole, within the Phases I-VI landfill mound at the Southeast County Landfill (see attached drawings). The area within the proximity of the sinkhole is currently exempted from quarterly surface emissions monitoring as previously approved by the Florida Department of Environmental Protection (see attached letter dated March 25, 2011).

The purpose of constructing the temporary LFG collection measures within the proximity of the sinkhole is to decrease surface emissions since the existing Gas Collection and Control System (GCCS) in the area of the sinkhole was impacted by the sinkhole collapse and is currently inoperable. However, the temporary LFG collection system will not provide for full coverage of the impacted area. Therefore, although the temporary LFG collection system will assist in minimizing surface emissions, this area will continue to be excluded from quarterly surface emissions until the sinkhole has been completely remediated and the existing GCCS repaired to pre-sinkhole conditions. The installation of the temporary LFG control system as shown on the attached drawings should be completed by mid December 2011.

Ms. Danielle D. Henry

November 21, 2011

Page 2

Please call me at 813-262-2776 (direct line) or 813-270-8058 (cell) should you have any questions or need clarifications.

Sincerely,

**HDR Engineering, Inc.**



Richard A. Siemering  
Solid Waste Section Manager

cc: David Zell, FDEP-Air Section  
Susan Pelz, FDEP-Waste Section  
Patricia Berry, PUD  
Larry Ruiz, PUD  
Walter Gray, PUD

Attachments



# Florida Department of Environmental Protection

Southwest District Office  
13051 North Telecom Parkway  
Temple Terrace, Florida 33637-0926

Rick Scott  
Governor

Jennifer Carroll  
Lt. Governor

Herschel T. Vinyard Jr.  
Secretary

March 25, 2011

**CERTIFIED MAIL NO. 7006 2150 0005 2620 1562  
RETURN RECEIPT REQUESTED**

Mr. Barry M. Boldissar, Director  
Hillsborough County Solid Waste Management Department  
601 East Kennedy Boulevard, 24<sup>th</sup> Floor  
Tampa, Florida 33602

Re: Surface Emission Monitoring Exemption Request  
Southeast County Landfill, Hillsborough County, Florida  
Title V Air Operation Permit No.: 0570854-007-AV  
Hillsborough County

Dear Mr. Boldissar:

On March 4, 2011, the Air Program of the Florida Department of Environmental Protection, Southwest District, received a letter from Mr. Richard A. Siemering of HDR Engineering, Inc., in reference to the Southeast County Landfill, to request a Surface Emissions Monitoring (SEM) exemption of the area of the landfill gas collection and control system (LFGCCS) impacted by the sinkhole which developed at the site on December 14, 2010. Per the Department's request, Mr. Siemering provided additional information during a telephone conversation on March 10, 2011 and through follow-up electronic correspondences on both March 14, 2011 and March 18, 2011.

According to the information submitted and the provision provided in the Standards of Performance for New Stationary Sources (NSPS) as set forth in Title 40 Part 60, Subpart WWW, Standards of Performance for Municipal Solid Waste Landfills, Section 60.753(d), the Department approves the request to exempt the area affected by the sinkhole from the surface emissions monitoring currently scheduled for March 29 & 30, 2011.


In order to track the progress of repairs at the LFGCCS and duration of the exemption, the Department requests a summary of repair activity 15 days prior to each quarterly SEM event until all repairs are completed. Upon completion of all repairs of the LFGCCS, a SEM shall be conducted of the entire

Mr. Barry M. Boldissar  
Southeast County Landfill, Hillsborough County  
SEM Exemption Request  
Page 2 of 2

LFGCCS, including the previously exempted area impacted by the sinkhole. A SEM shall be performed at the repaired LFGCCS within 21 days of final completion of repairs.

Should you have any questions concerning this letter please contact me at (813) 632-7600, extension 104, or via email at [Danielle.D.Henry@dep.state.fl.us](mailto:Danielle.D.Henry@dep.state.fl.us).

Sincerely,

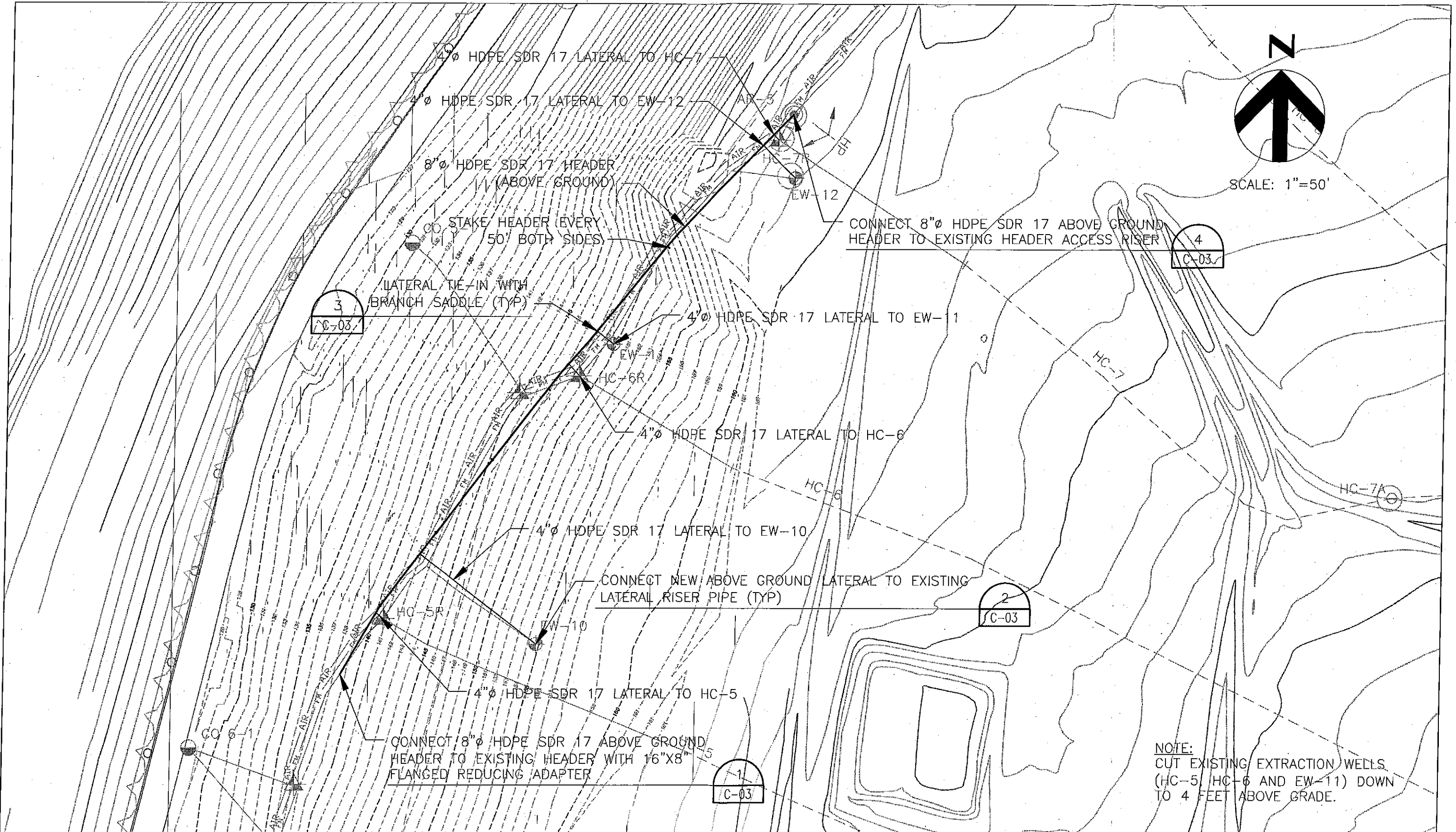
*for*   
Danielle D. Henry  
Environmental Compliance Manager  
Southwest District

Cc: Mr. Richard A. Siemering, Solid Waste Section Manager, HDR Engineering, Inc., [Richard.Siemering@hdrinc.com](mailto:Richard.Siemering@hdrinc.com)


SWD Permitting File

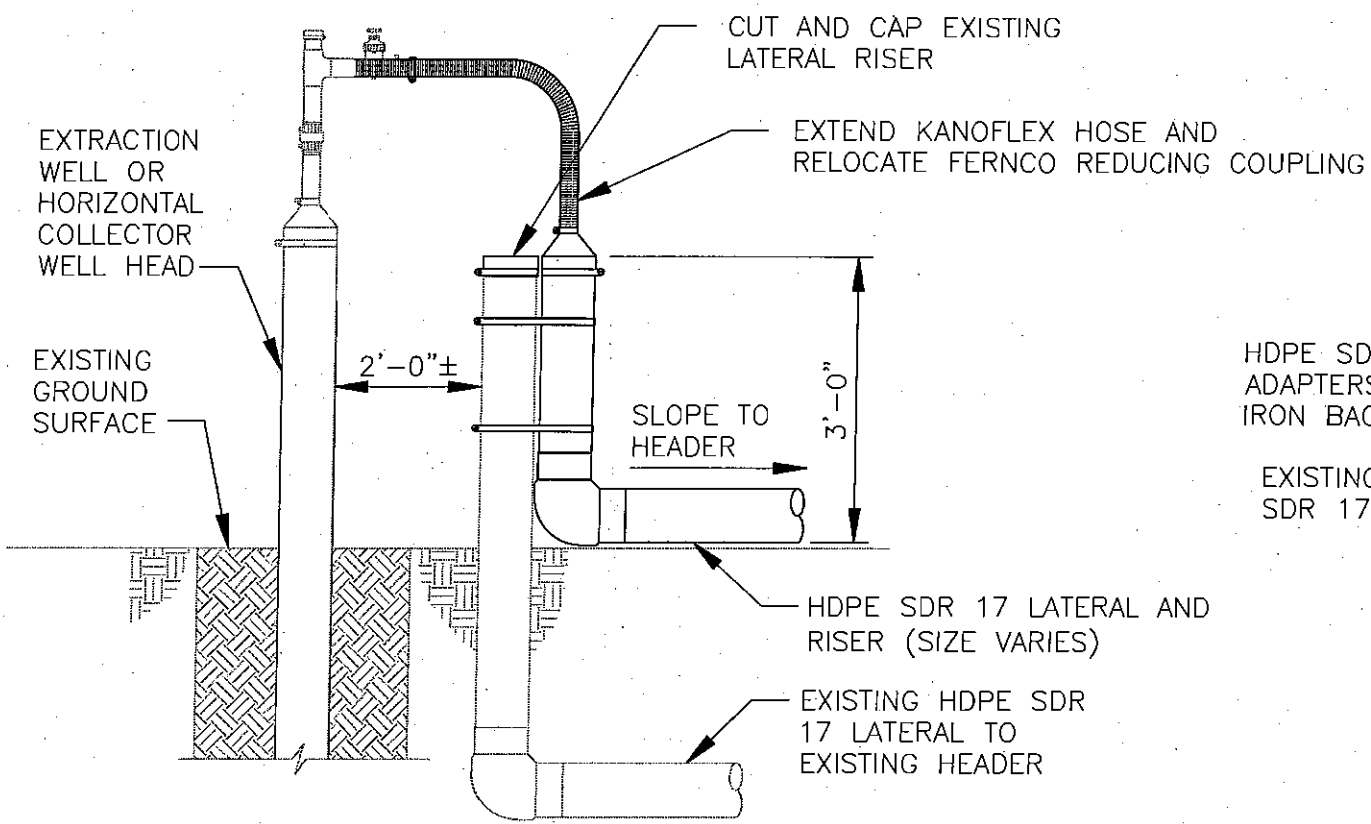
SWD Compliance File

C:\pwworking\tpa\1020400C-02.dwg, Plot, 11/17/2011 10:10:20 AM, bradjohn

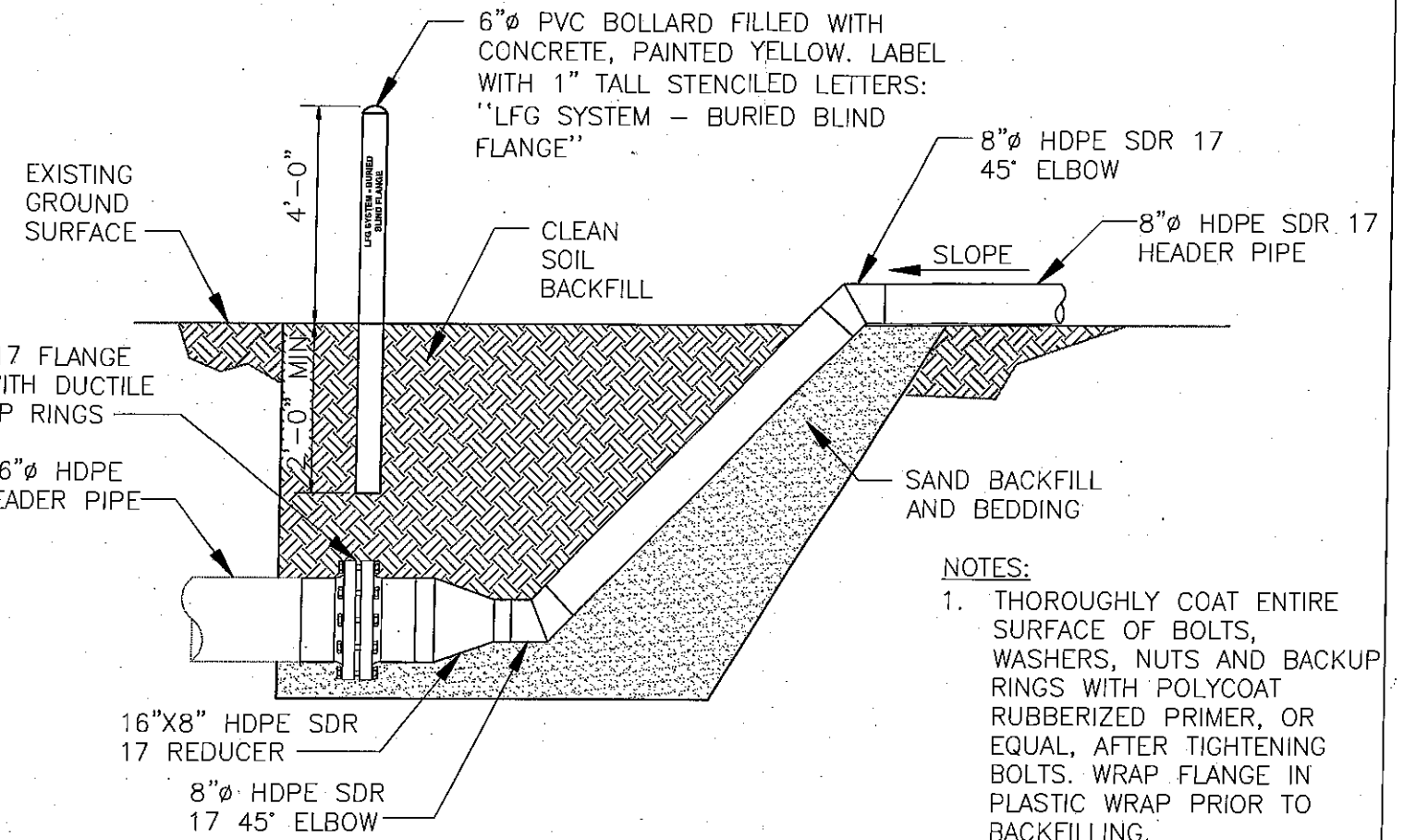


NOTE:  
 CUT EXISTING EXTRACTION WELLS  
 (HC-5, HC-6 AND EW-11) DOWN  
 TO 4 FEET ABOVE GRADE.

	<b>SOUTHEAST COUNTY LANDFILL          TEMPORARY LANDFILL GAS COLLECTION          SYSTEM FOR SINKHOLE AREA</b>	DATE 11/17/11
	PLAN	FIGURE C-02

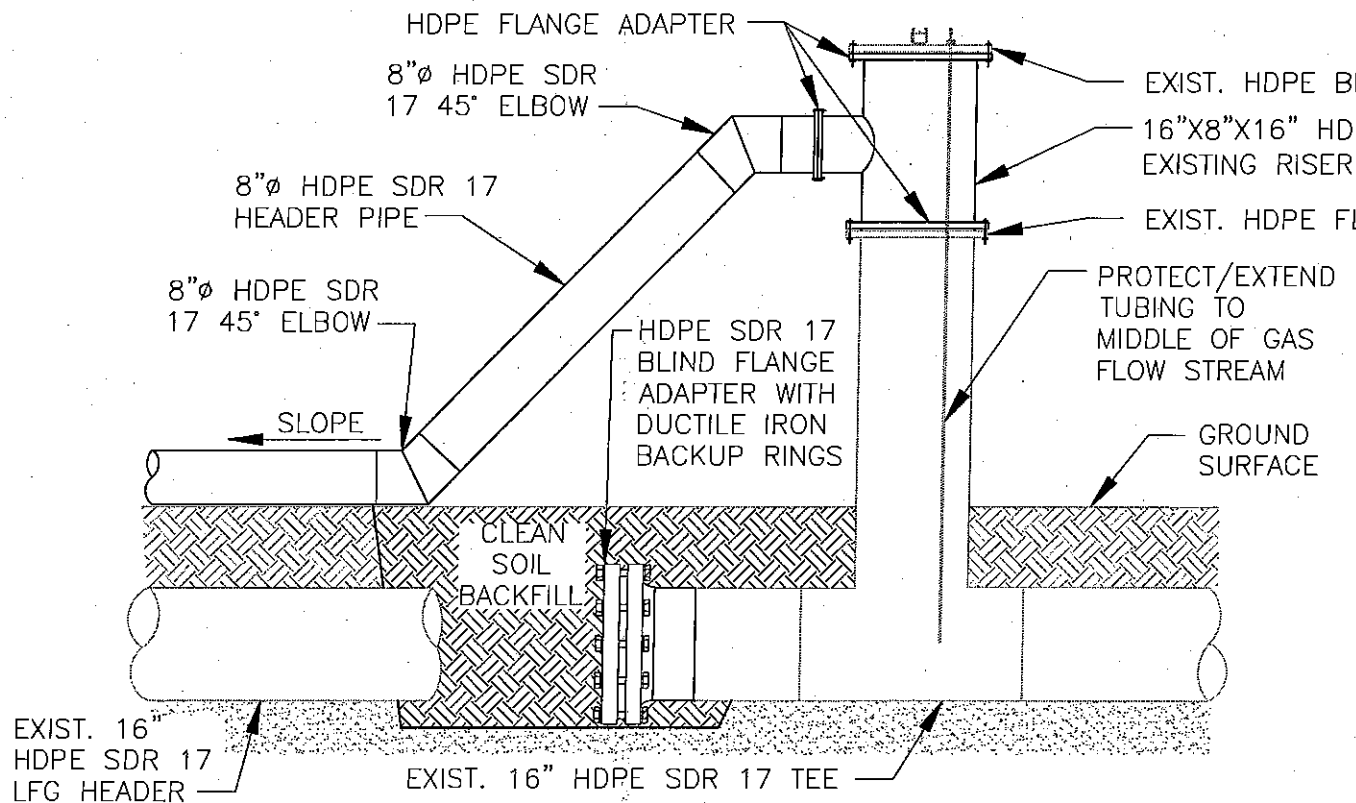


**TYPICAL LATERAL-RISER CONNECTION** 2  
 NOT TO SCALE C-02

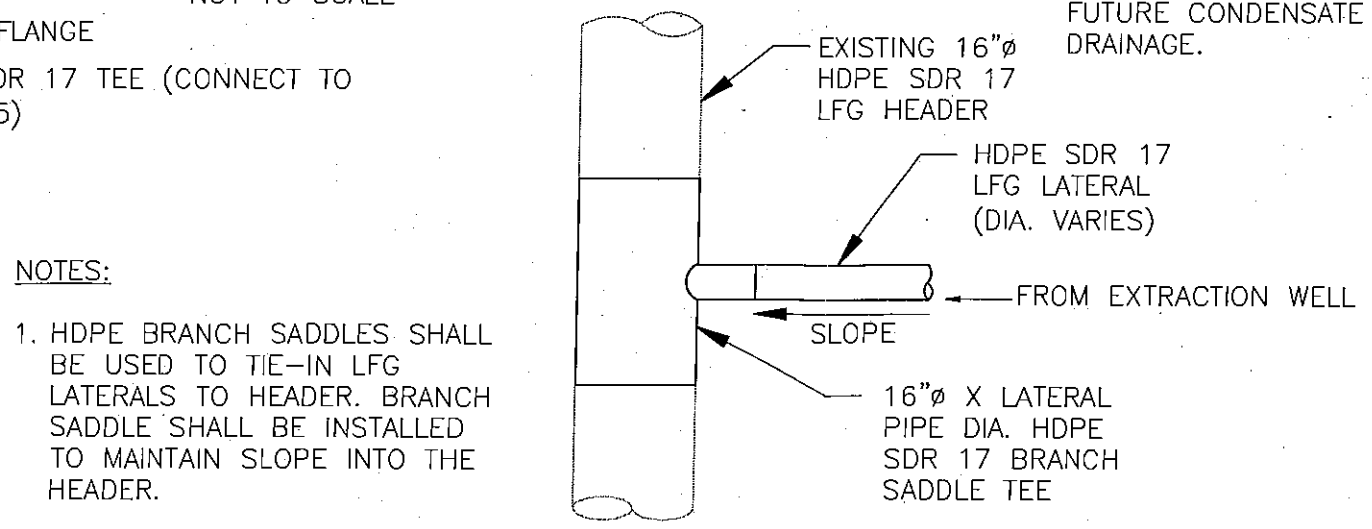


**HEADER CONNECTION** 1  
 NOT TO SCALE C-02

- NOTES:**
1. THOROUGHLY COAT ENTIRE SURFACE OF BOLTS, WASHERS, NUTS AND BACKUP RINGS WITH POLYCOAT RUBBERIZED PRIMER, OR EQUAL, AFTER TIGHTENING BOLTS. WRAP FLANGE IN PLASTIC WRAP PRIOR TO BACKFILLING.
  2. FLANGE SHALL BE INSTALLED WITH THE PROPER SLOPE ANGLE TO PROVIDE FOR FUTURE CONDENSATE DRAINAGE.



**HEADER TO ACCESS RISER CONNECTION** 4  
 NOT TO SCALE C-02



**LATERAL TIE-IN WITH BRANCH SADDLE** 3  
 NOT TO SCALE C-02

- NOTES:**
1. HDPE BRANCH SADDLES SHALL BE USED TO TIE-IN LFG LATERALS TO HEADER. BRANCH SADDLE SHALL BE INSTALLED TO MAINTAIN SLOPE INTO THE HEADER.

C:\pwworking\pba\d0310204\00C-03.dwg, 11/17/2011 10:10:27 AM, bradjohn



**SOUTHEAST COUNTY LANDFILL  
 TEMPORARY LANDFILL GAS COLLECTION  
 SYSTEM FOR SINKHOLE AREA**

DETAILS

DATE	11/17/11
FIGURE	C-03