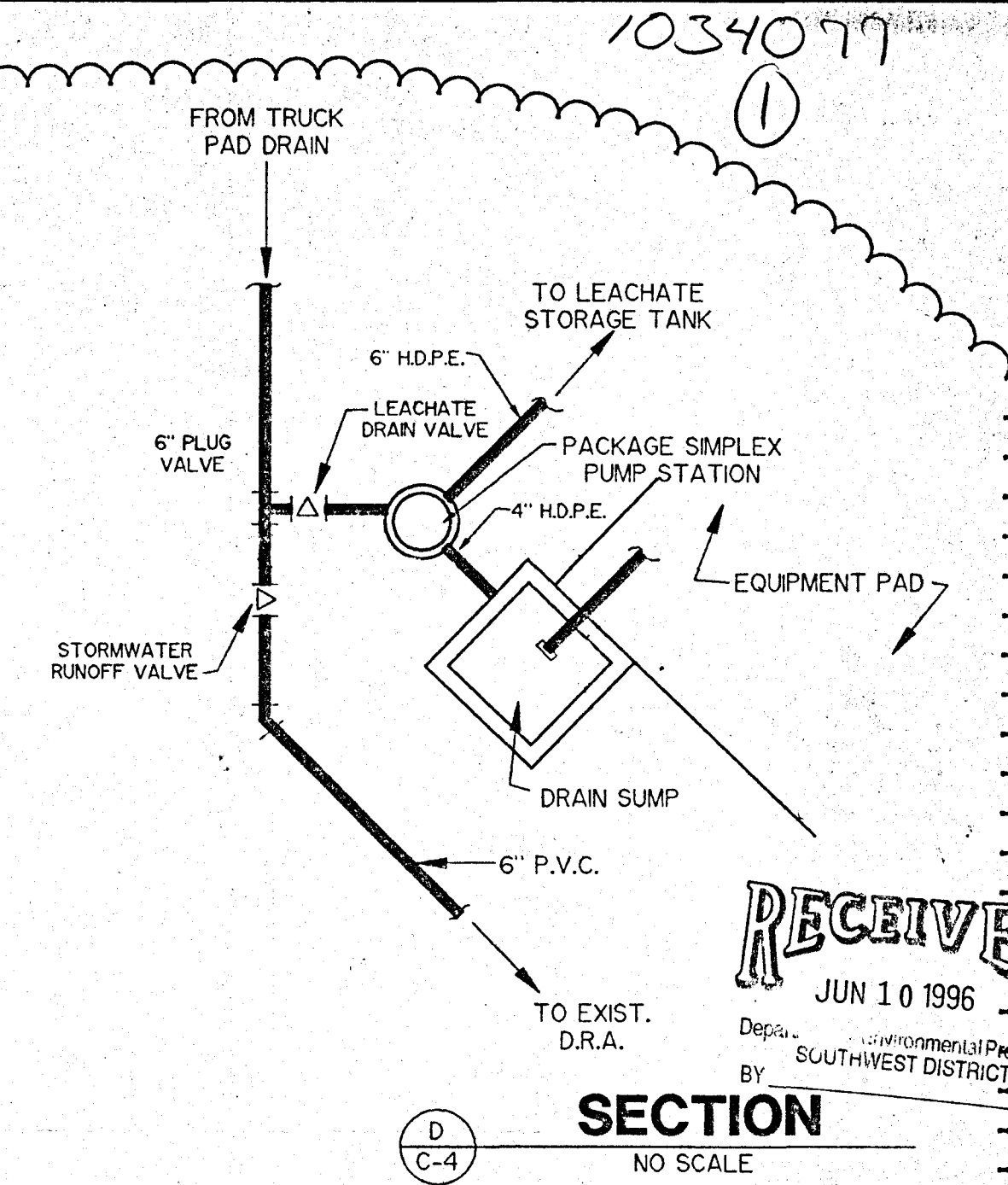
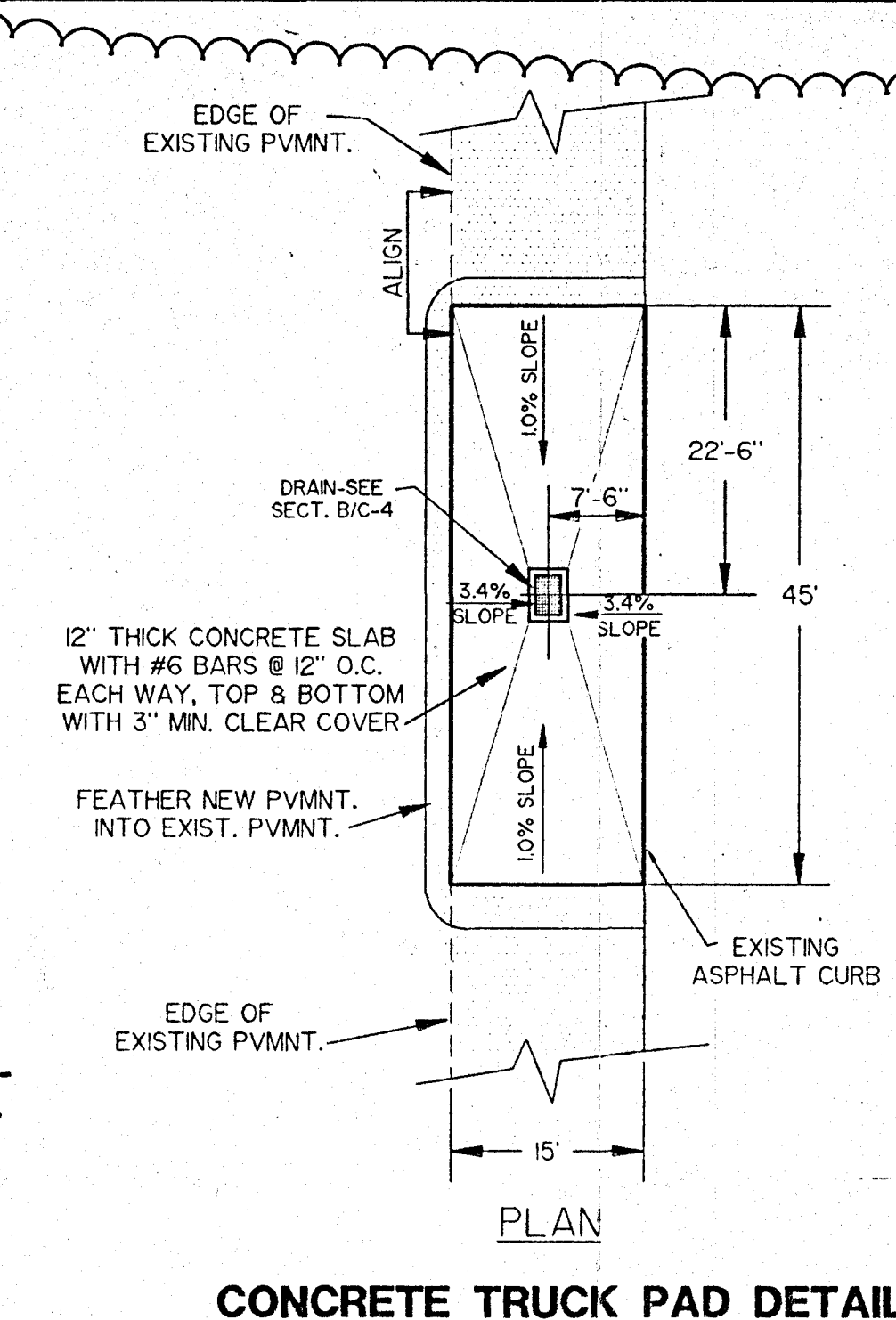
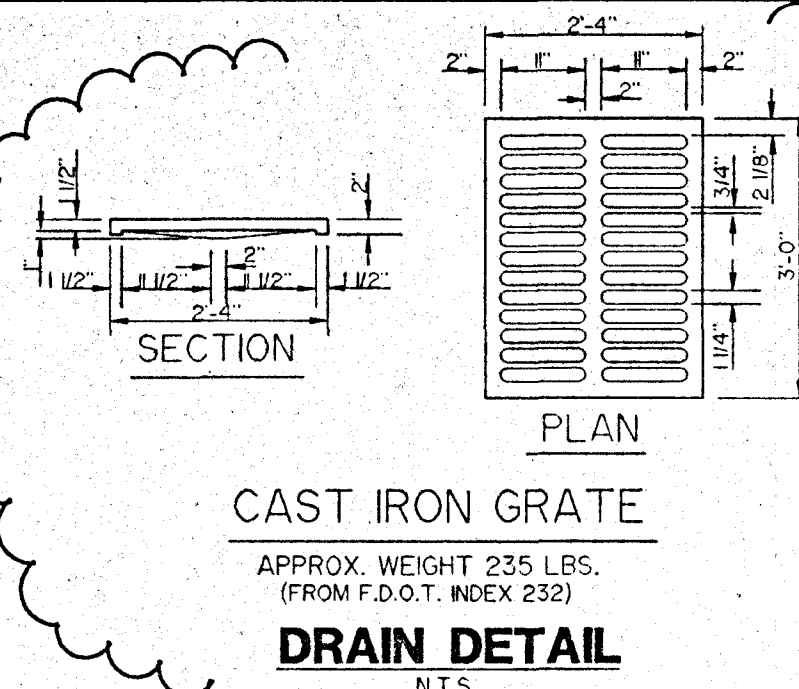
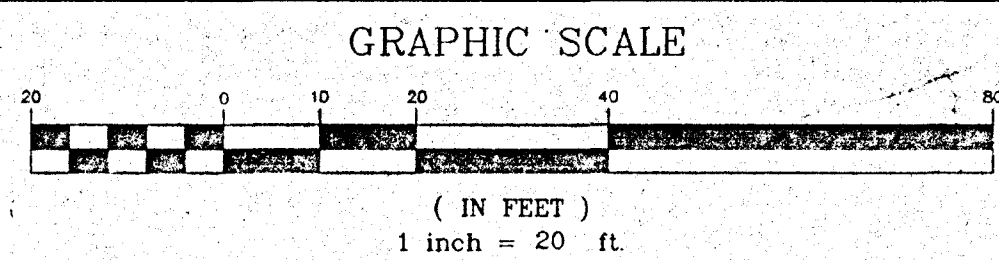
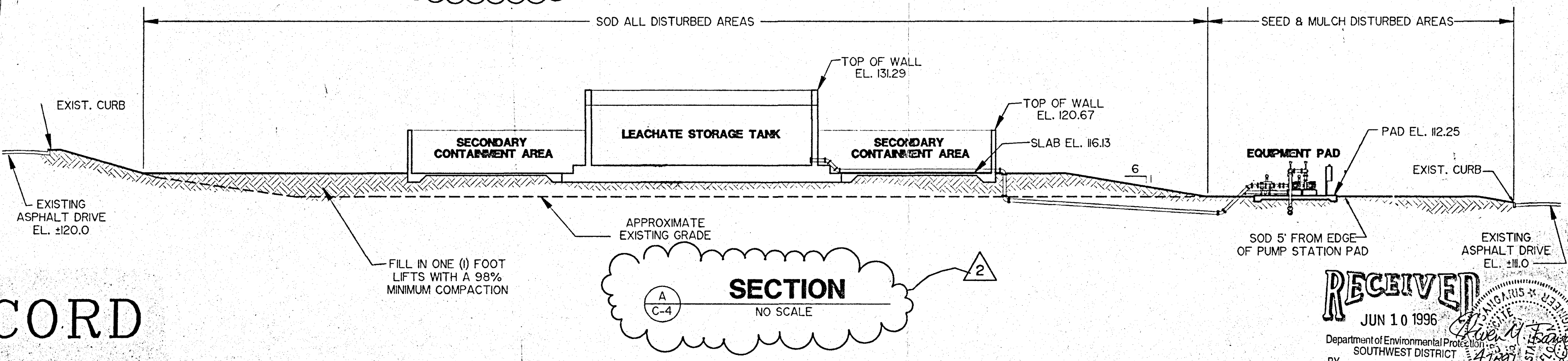
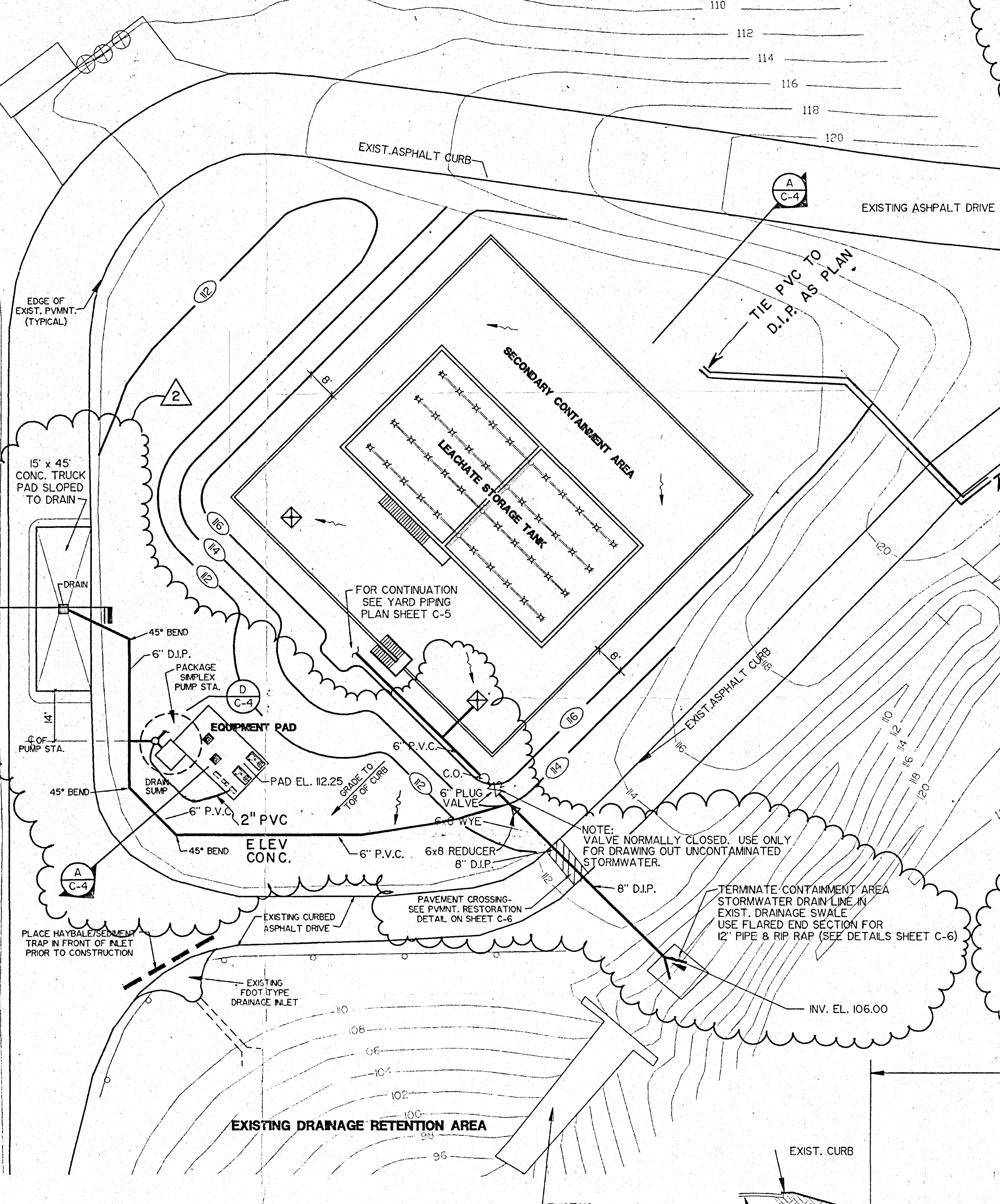
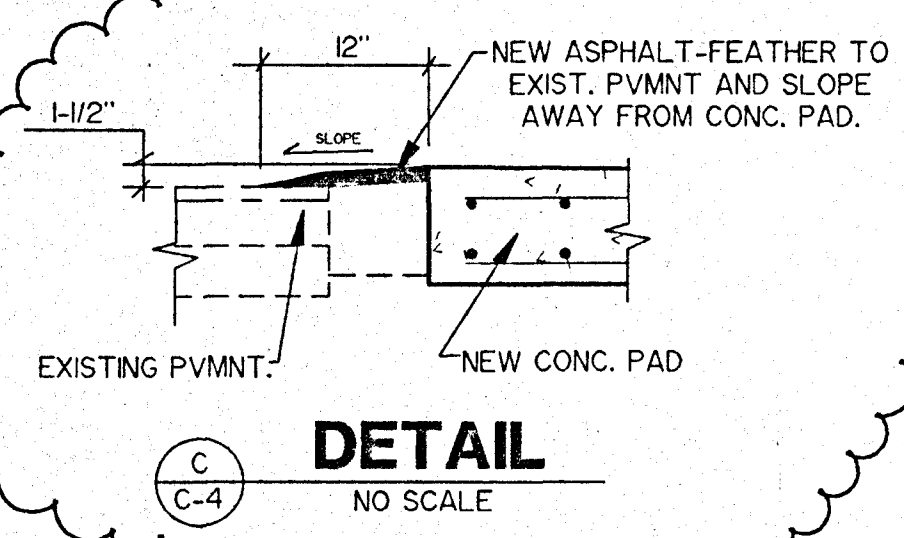
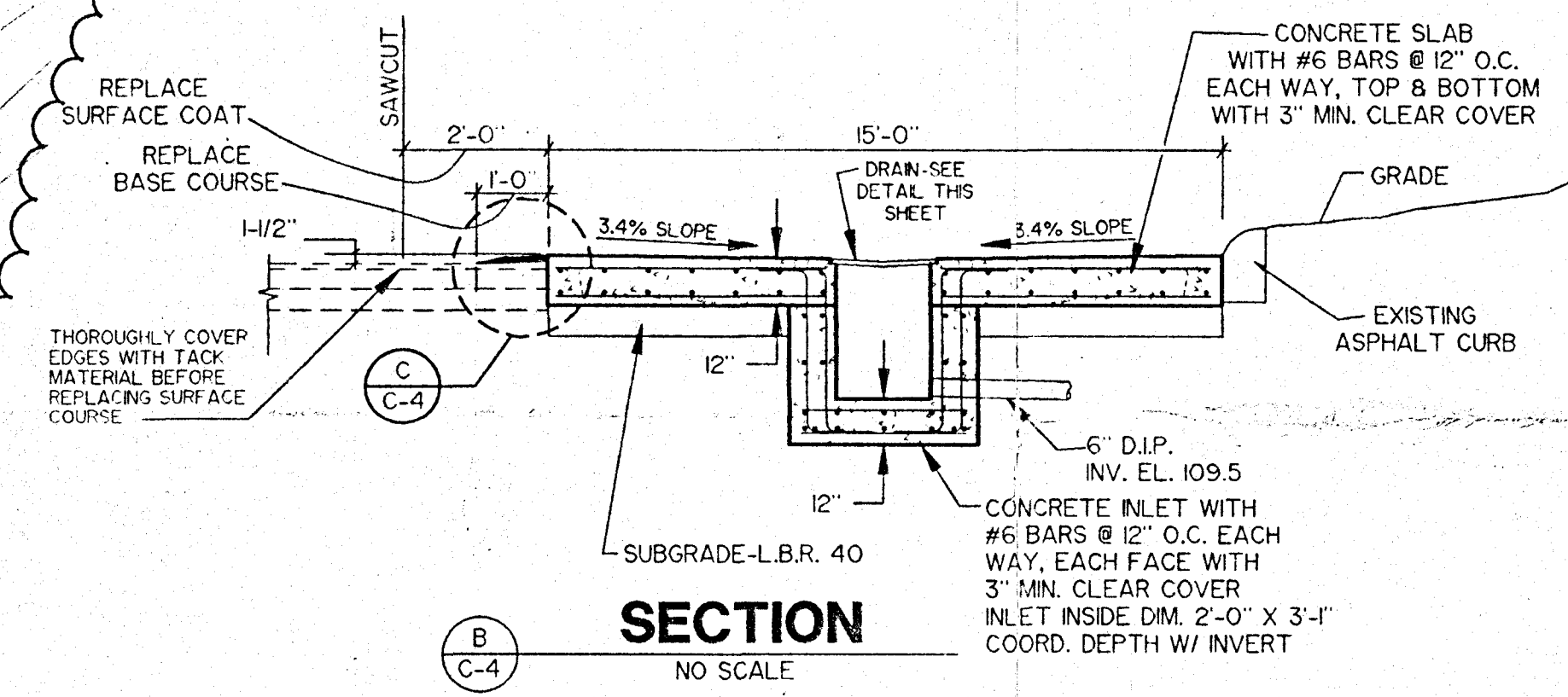


1034077



- NOTES**
1. THE LEACHATE TRUCK LOADING STATION CAMLOCK FITTING COVER SHALL BE FITTED WITH A LIMIT SWITCH TO SIGNAL ITS BEING REMOVED.
 2. THE LEACHATE DRAIN AND STORMWATER RUNOFF VALVES SHALL BE FITTED WITH LIMIT SWITCHES MOUNTED ON THE VALVE BONNETS TO SIGNAL WHETHER THEY ARE OPEN OR CLOSED.
 3. THE REMOVAL OF THE TRUCK LOADING STATION CAMLOCK FITTING COVER SHALL CAUSE AN AUDIO AND VISUAL ALARM CONDITION. THE LEACHATE DRAIN VALVE IS NOT OPEN AND THE STORMWATER RUNOFF VALVE IS CLOSED.
 4. THE PUMP STATION CONTROL PANEL FOR THE SIMPLEX PUMP STATION SHALL HAVE RED AND GREEN INDICATOR LIGHTS FOR EACH OF THE FOLLOWING:
 - A. THE TRUCK LOADING CAMLOCK FITTING
 - B. STORMWATER DRAIN VALVE
 - C. LEACHATE DRAIN VALVE
 GREEN LIGHT WILL INDICATE AN OPEN CONDITION AND A RED LIGHT WILL INDICATE A CLOSED CONDITION.



- NOTES**
1. EXISTING TOPOGRAPHY BASED ON DATA FURNISHED BY CH2M HILL.
 2. EXISTING TOPOGRAPHY MAY HAVE CHANGED DUE TO ON-SITE ACTIVITIES. THE CONTRACTOR SHALL FIELD VERIFY EXISTING TOPOGRAPHY PRIOR TO CONSTRUCTION.

GRADING PLAN
SCALE: 1" = 20'

PROJECT RECORD

NO.	DATE	REVISION	APP'D. BY
1	10/17/95	ADDED TRUCK PAD	A.D.M.
2	3/1/95	GENERAL REVISION	A.D.M.

**CITRUS COUNTY CENTRAL LANDFILL
LEACHATE STORAGE TANK**

**LEACHATE TANK
GRADING PLAN**

GEORGE J. McDONALD, P.E.
REGISTERED ENGINEER NO. 44740
STATE OF FLORIDA
DATE

JOB NO. 45085
FILE NO. 5A-345
SEC. 1
TWP 19S R6E18E
SHT C-4

DESIGNED G.J.M.
DRAWN J.L.S.
CHECKED G.J.M.
DATE APRIL 7, 1995

Berryman & Henigar
BSI Consultants, Inc. ■ Henigar & Ray, Inc.
640 EAST HIGHWAY 44 • CRYSTAL RIVER, FLORIDA 34429-4399 • (904) 795-6551

