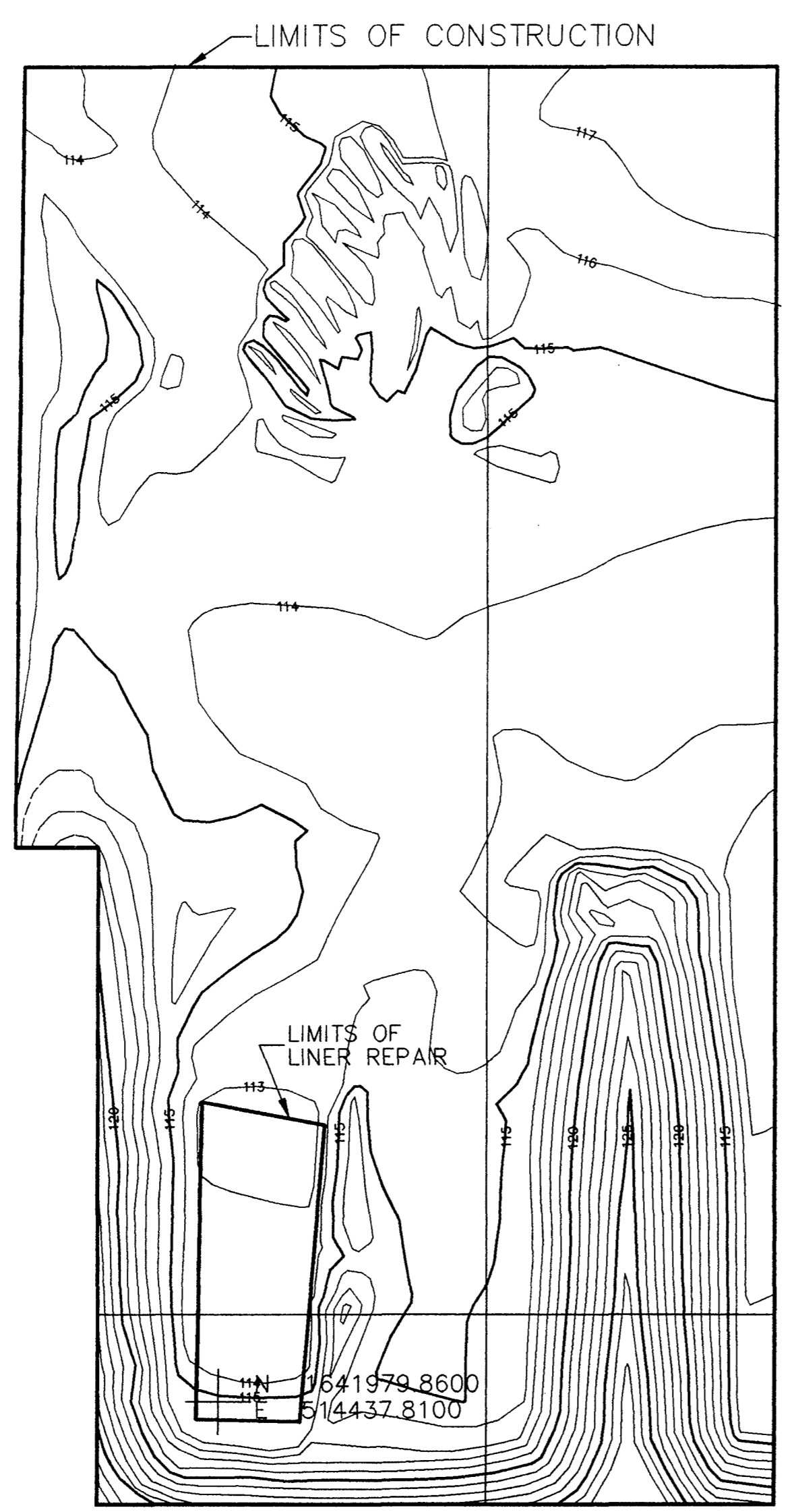
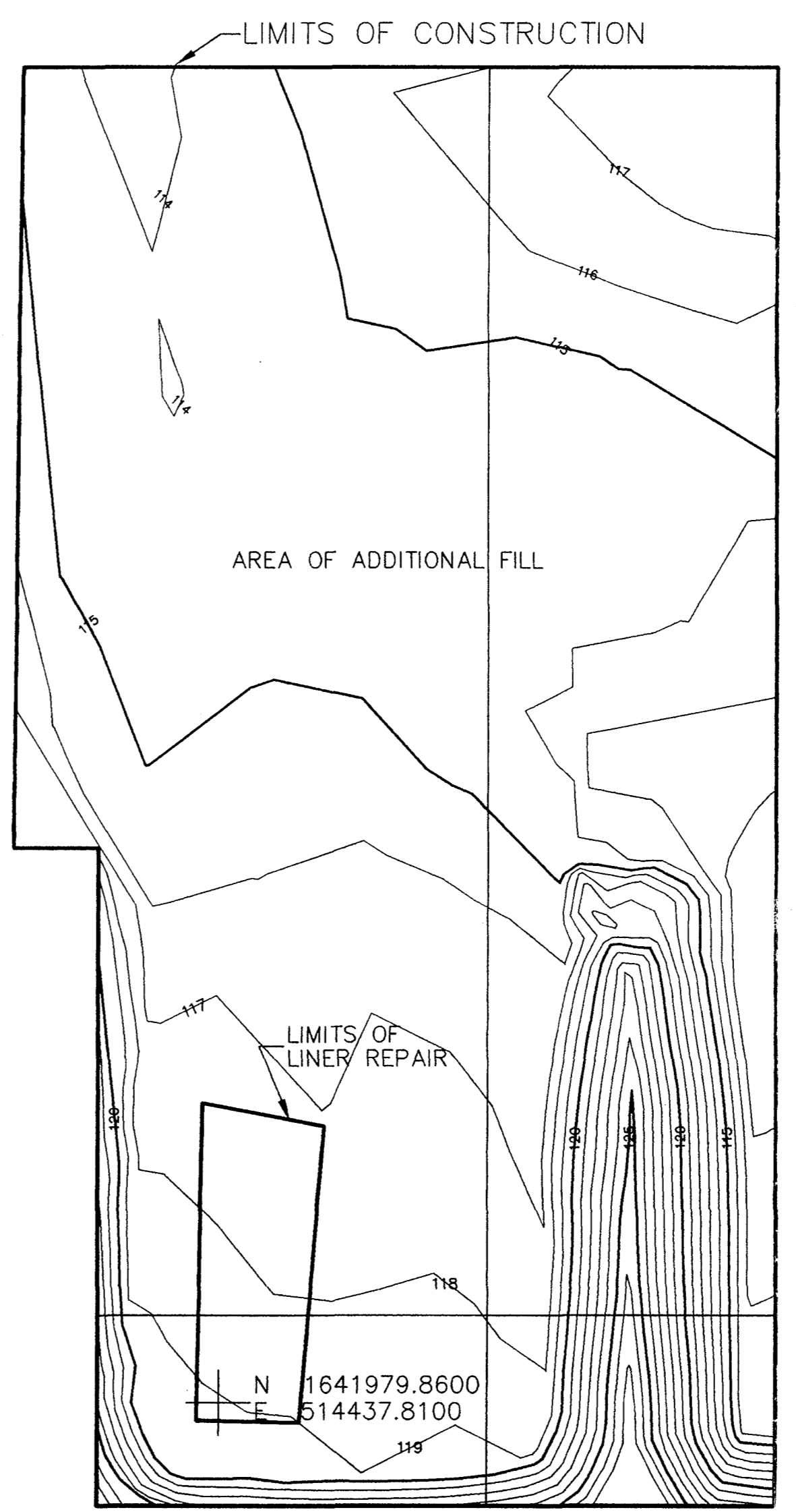


102842
①

PROJECT NO. SHT NO.
98-072 1



SOUTHWEST CORNER OF 60 ACRE LANDFILL
SURVEYED 12/97, DURING LINER REPAIR



SOUTHWEST CORNER OF 60 ACRE LANDFILL
SURVEYED 5/98, AFTER REPAIR, (AS-BUILT)

RECEIVED
 JUL 01 1998
 Department of Transportation
 Southwest District
 BY:

P.M.S. NO.: 98-072
F.B. NO.: 80
PGS.: 46
MODE: N/A
DESIGN:
CHECKED:
DATE:

CITRUS COUNTY
DEPARTMENT OF PUBLIC WORKS
 DIVISION OF ENGINEERING

3600 SOVEREIGN PATH
 SUITE 241
 LECANTO, FLORIDA 34461
 (352) 527-5446

NO.	DATE	REVISION	APP'D. BY	NO.	DATE	REVISION	APP'D. BY

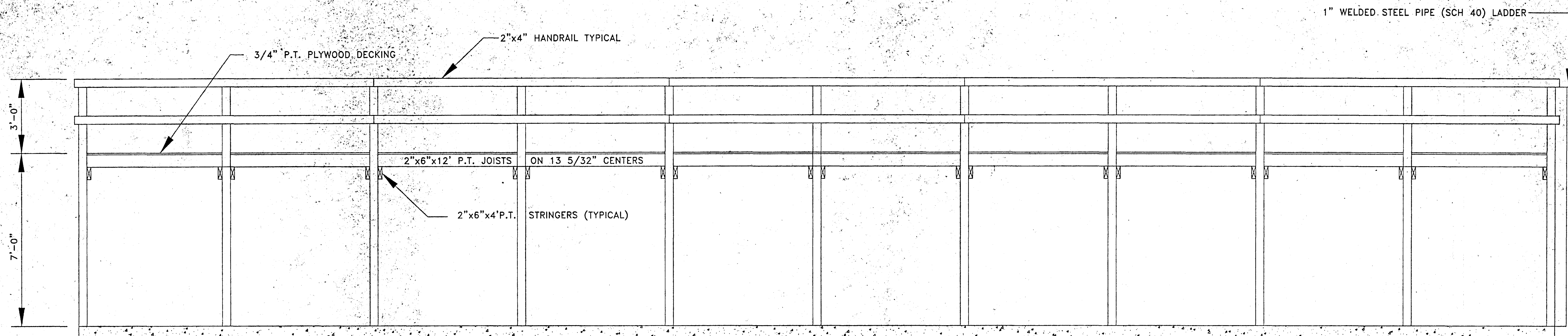
CITRUS COUNTY SANITARY LANDFILL
 CLOSED 60 ACRE SITE

AS- BUILT SURVEY RE:
 LINER REPAIR AND PLACEMENT OF ADDITIONAL FILL

REGISTERED ENGINEER NO. _____
 STATE OF FLORIDA
 DATE _____

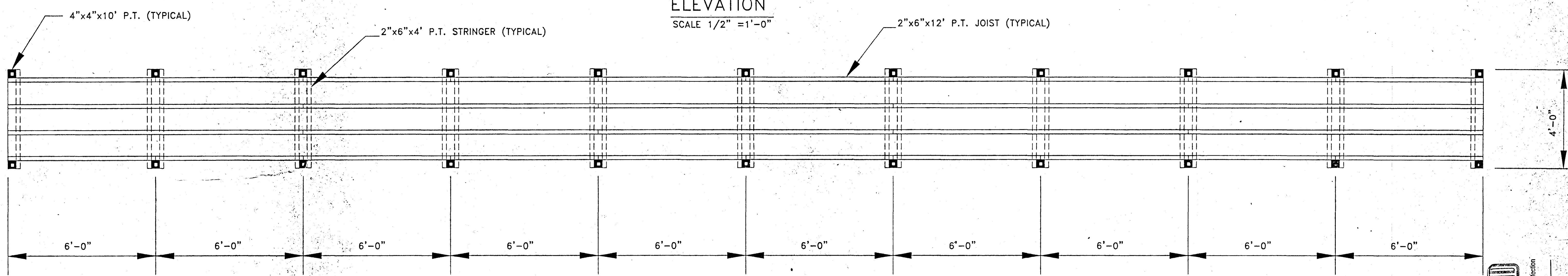
SCALE: 1"=30'
 DATE: 6/12/98
 PLAN SET: N/A
 FILE NAME: 98-072
 SEC: 1 TWP: 19 RGE: 18
 SHT 1

E:\ADRAW\ANDTILL - LITER\SUSSE2.DWG P13 Jun 12 11:57:23 1998 JMK



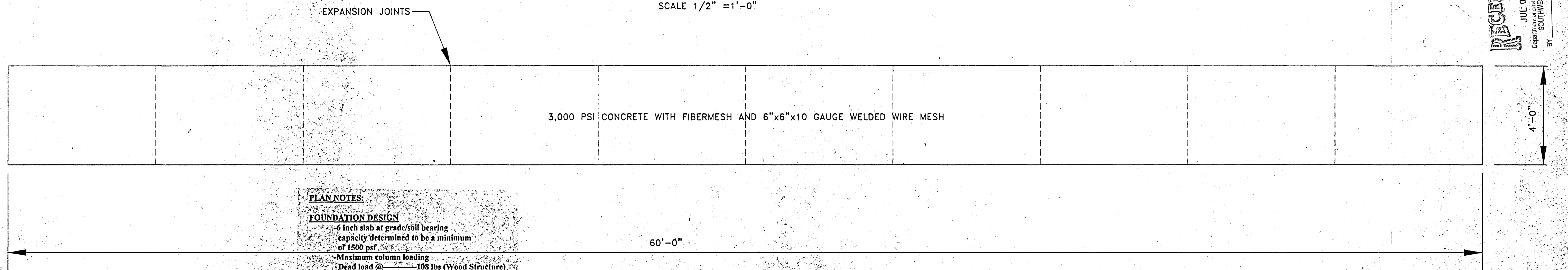
ELEVATION

SCALE 1/2" = 1'-0"



FRAMING PLAN

SCALE 1/2" = 1'-0"



FOUNDATION PLAN

SCALE 1/2" = 1'-0"

PLAN NOTES:

FOUNDATION DESIGN

-6 inch slab at grade/soil bearing capacity determined to be a minimum of 1500 psf

-Maximum column loading

-Dead load @ 108 lbs (Wood Structure)

-Live load @ 50 psf - 600 lbs

-Total Load - 708 lbs/column

-Load Transfer to Slab

-Spread over a minimum of 1 Sq. Ft. @ 708 lbs. - Less than 1500 lbs/Sq. Ft. and bearing pressure safety factor = 1508/708 = 2.12

-The above analysis shows insignificant settlement potential and no threat to liner.

Jerry C. Huston

Jerry C. Huston, PE #31656

6-24-98 Date

JERRY C. HUSTON, PE, CONSULTING ENGINEER

6326 W. Holiday Street

Homosassa, Florida 34446

(352) 628-6350

- NOTES**
1. STRINGERS ARE TO BE BOLTED TO 4"x4"
 2. FASTEN 3/4" DECKING WITH RUST RESISTANT SCREWS.
 3. 4"x4" ARE TO BE ANCHORED TO CONCRETE SLAB.

PISTOL RANGE
OBSERVATION PLATFORM

RECEIVED

JUL 01 1998

Department of Highway and Transportation

SOUTHWEST DISTRICT

BY

