



WASTE MANAGEMENT INC. OF FLORIDA

Vista Landfill, LLC.
242 W. Keene Road
Apopka, FL 32703
P:407-886-2920 F:407-889-8043

October 21, 2014

Tom Lubozynski
Florida Department of Environmental Protection
Central District Solid Waste Section
3319 Maguire Boulevard, Suite 232
Orlando, FL 32803

Subject: Vista Landfill
Quarterly Methane Sampling Report

Dear Mr. Lubozynski:

Enclosed is the methane monitoring report for the fourth quarter of 2014. Please contact me at (321)704-4162 if you have any questions or need additional information regarding this submittal.

Respectfully Submitted,

A handwritten signature in blue ink, appearing to read 'JCE', written over a white background.

Jim Christiansen
Environmental Protection Manager
Waste Management Inc. of Florida

cc: Jay Davoll, City of Apopka

**VISTA LANDFILL
 QUARTERLY LANDFILL GAS MONITORING AND ACTIVITIES REPORT
 4th QUARTER 2014**

SIGNIFICANT ACTIVITIES

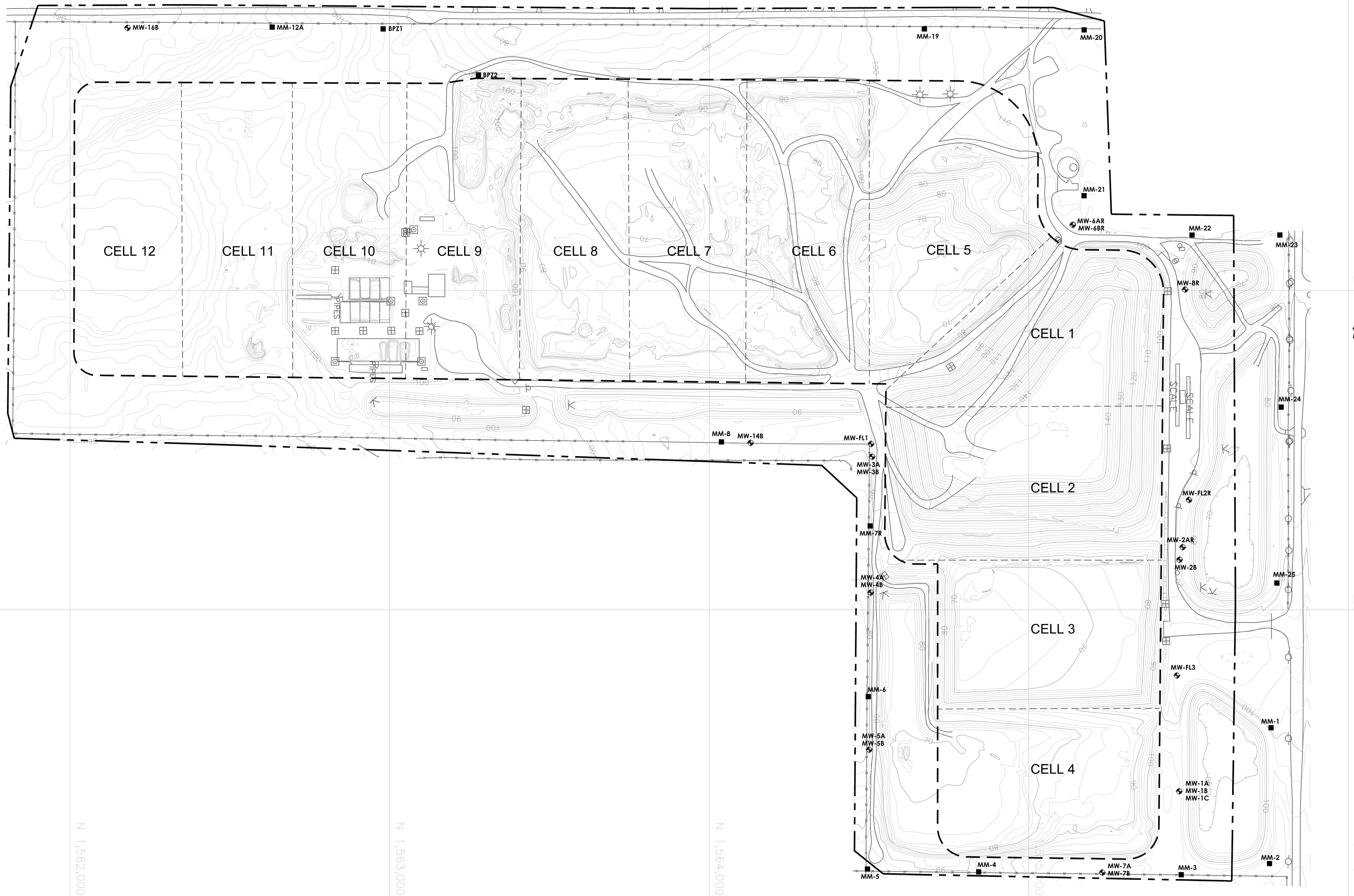
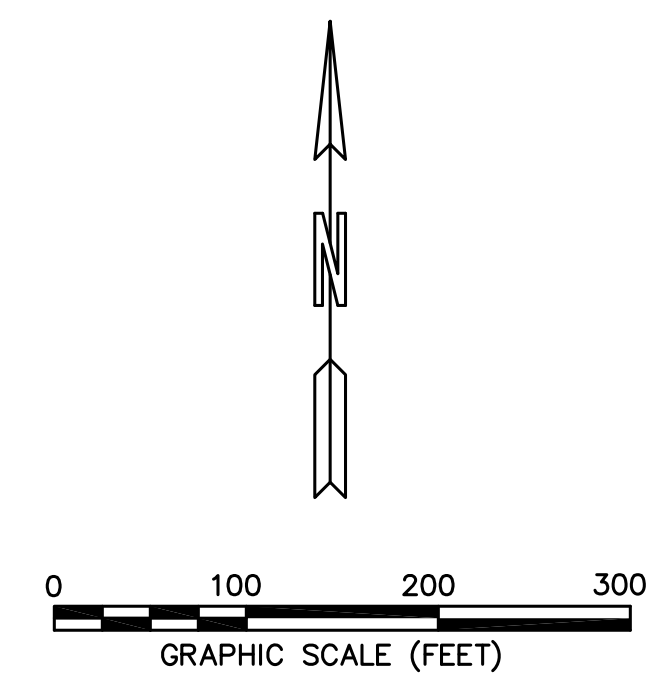
- Routine perimeter gas monitoring occurred on October 13, 2014.
- No objectionable odors or gas migration issues were noted.

GAS MONITORING RESULTS

Date Monitored: October 13, 2014
 Analyst: Matt Outlaw
 Gas Instrument Type: GEM 2000; Serial No: GM11101
 Calibration Acceptable: Yes; Span Gas 15% volume, response 15.0%, adjusted 15.0%
 Weather Conditions: 87°F, Partly Cloudy Skies, Winds S 8 Mph
 Barometric Pressure: 29.97" Hg
 Precipitation: None

MON. POINT	DATE/TIME	METHANE (% by Vol. air)	METHANE (% LEL)	COMMENTS
MM-01	10/13/2014 14:29	0.0	0.0	
MM-02	10/13/2014 14:50	0.0	0.0	
MM-03	10/13/2014 14:33	0.0	0.0	
MM-04	10/13/2014 14:38	0.0	0.0	
MM-05	10/13/2014 14:20	0.0	0.0	
MM-06	10/13/2014 14:17	0.0	0.0	
MM-07	10/13/2014 14:24	0.0	0.0	
MM-08	10/13/2014 14:13	0.0	0.0	
MM-19	10/13/2014 14:04	0.0	0.0	
MM-20	10/13/2014 14:00	0.0	0.0	
MM-21	10/13/2014 13:56	0.0	0.0	
MM-22	10/13/2014 13:22	0.0	0.0	
MM-23	10/13/2014 13:24	0.0	0.0	
MM-24	10/13/2014 13:27	0.0	0.0	
MM-25	10/13/2014 13:29	0.0	0.0	
Office	10/13/2014 14:55	0.0	0.0	
Scales	10/13/2014 13:35	0.0	0.0	

Comments: MM-are permanent probes.



E 491,000
E 492,000
N 1,562,000
N 1,563,000
N 1,564,000
N 1,566,000

LEGEND	
	PROPERTY BOUNDARY
	PERMITTED LIMITS OF WASTE
	10-FOOT CONTOUR LINE
	2-FOOT CONTOUR LINE
	CELL BOUNDARY
	METHANE MONITORING PROBE
	GROUNDWATER MONITORING WELL

NOTES
1. AERIAL TOPOGRAPHY COMPILED BY PICKETT AND ASSOCIATES, INC. FROM AERIAL PHOTOGRAPH FLOWN ON JANUARY 14, 2013.

FOR INFORMATIONAL PURPOSES ONLY