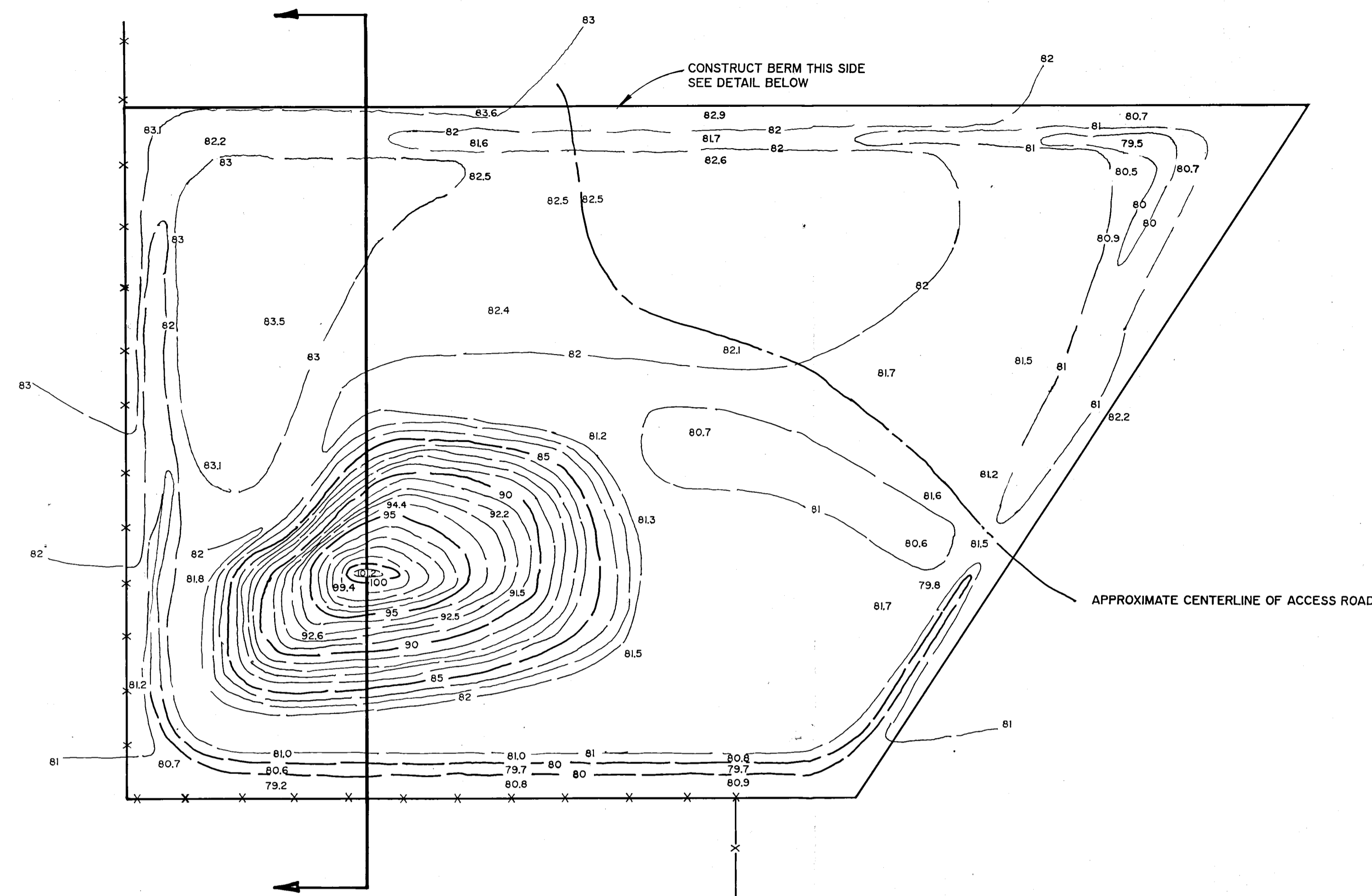
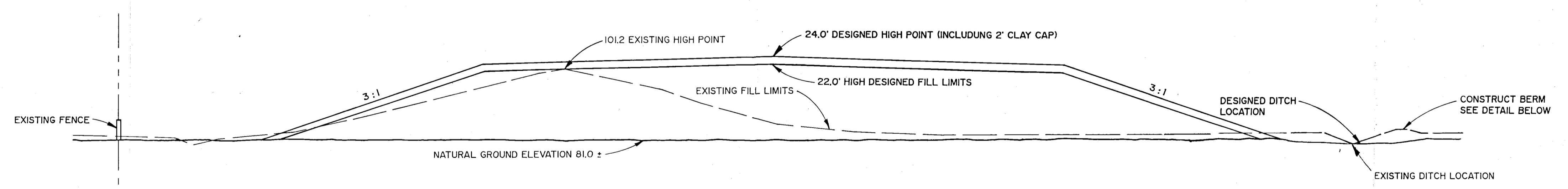


1435062 (1)

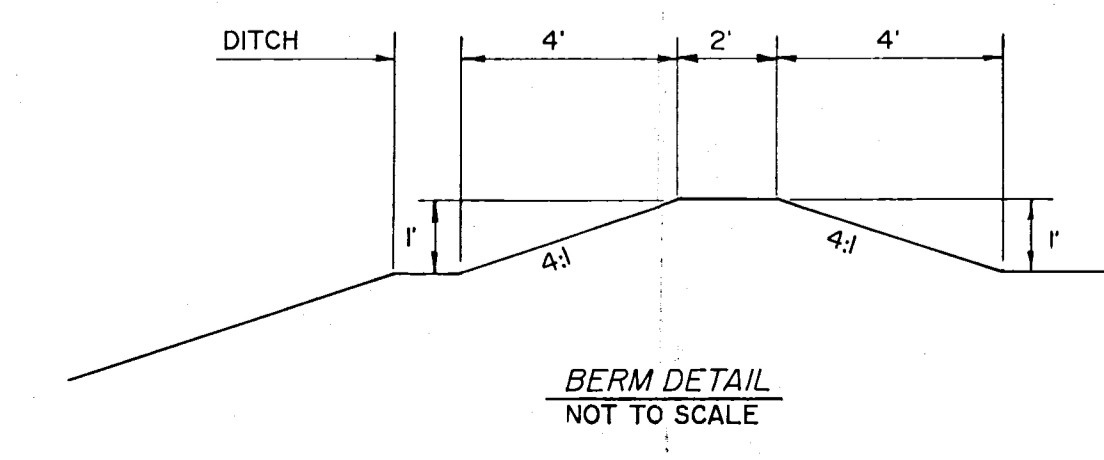


PLAN VIEW  
SCALE 1" = 50'

WATER QUALITY CALCULATIONS (1/2 INCH RUNOFF)  
 AREA OF RUNOFF = 141,000 SQUARE FEET = 3.24 ACRES  
 $3.24 \text{ ACRES} \times (1/2" \times 1/12) = .135 \text{ ACRE FEET (A.F.)}$   
 $.135 \text{ (A.F.)} \times 43,560 = 5,881 \text{ FEET}^3 = \text{STORAGE AREA REQUIRED}$   
 AVAILABLE STORAGE  
 $1,260' \times 40' \times 0.5' = 32,400 \text{ FEET}^3 \text{ AVAILABLE STORAGE}$



SECTION A - A  
SCALE 1" = 20'



NO.	DATE	BY	REVISION DESCRIPTION
1	12-15-92	LSS	ADD WATER QUALITY CALCS
2	12-22-92	LSS	ADD BERM/DETAIL

HARDEE COUNTY  
PUBLIC WORKS  
LANDFILL  
CONSTRUCTION AND DEMOLITION DEBRIS SITE

D. E. R.  
DEC 29 1992  
SOUTHWEST DISTRICT  
TAXA

SIGNED: \_\_\_\_\_  
NAME: \_\_\_\_\_  
FL REG. NO. \_\_\_\_\_ DATE: \_\_\_\_\_  
DRAWN BY: L. SEIBERT DATE: 5-22-92  
CHECKED BY: \_\_\_\_\_ DATE: \_\_\_\_\_

SURVEY RECORD  
FIELD BOOK \_\_\_\_\_ PAGE \_\_\_\_\_  
LOT \_\_\_\_\_ BLOCK \_\_\_\_\_ UNIT \_\_\_\_\_  
SECTION 35 TOWNSHIP 33 S RANGE 25 E  
PLANBOOK \_\_\_\_\_ PAGE \_\_\_\_\_  
COUNTY HARDEE COUNTY, FLORIDA  
CLIENT NAME HARDEE COUNTY PUBLIC WORKS  
PROJECT SHEET TITLE SITE TOPO  
PLAN \_\_\_\_\_ SHEET \_\_\_\_\_  
DATE 5-22-92  
PROJECT NUMBER 06-0737-92

