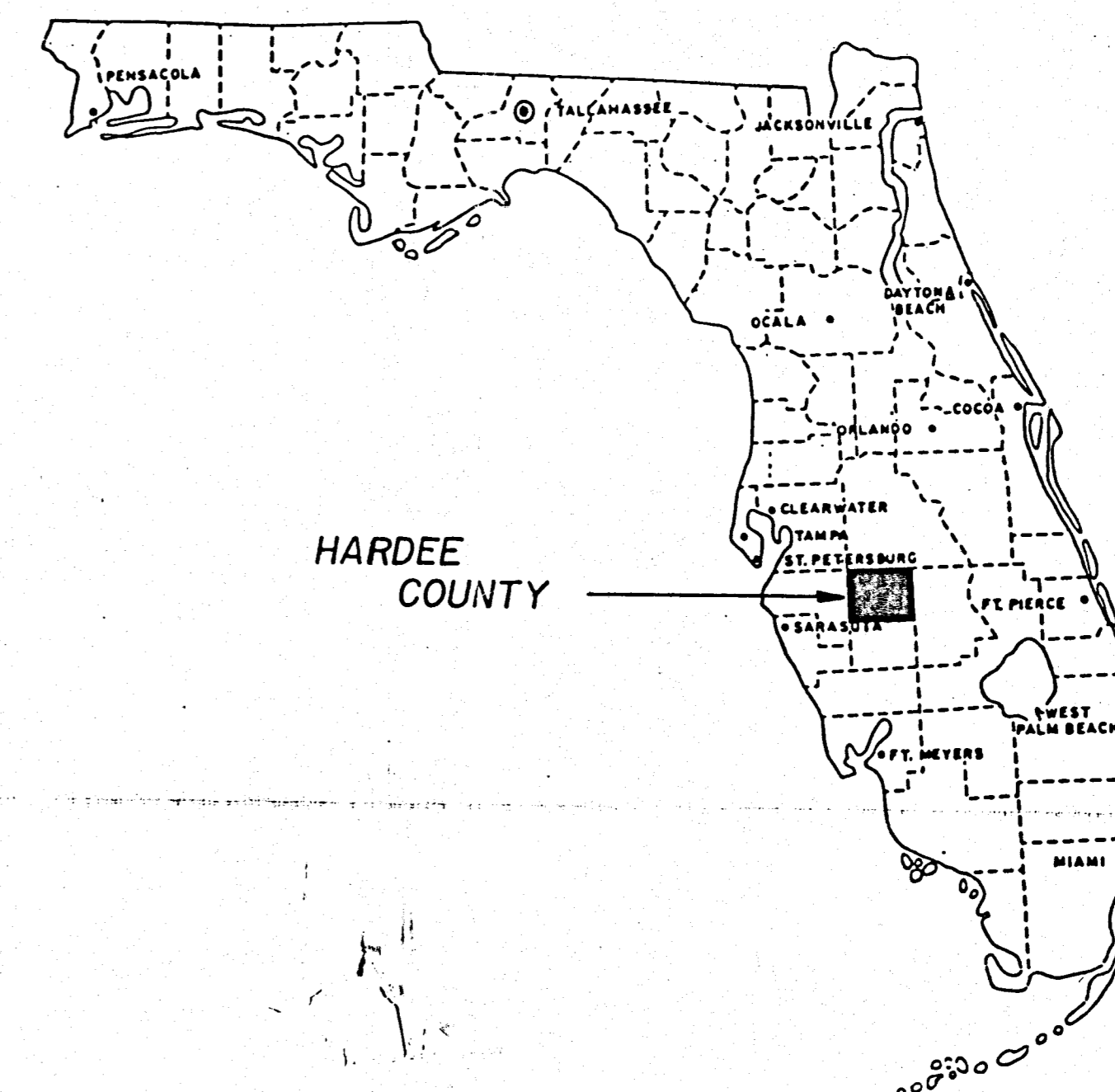
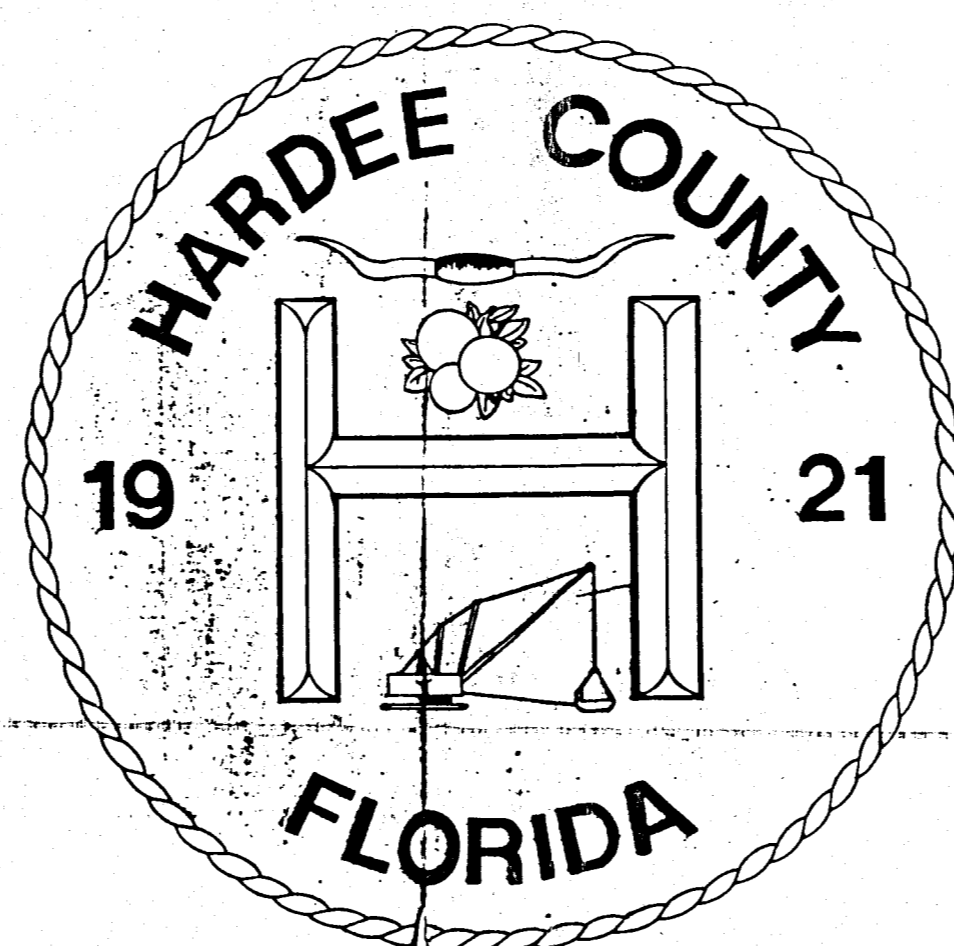
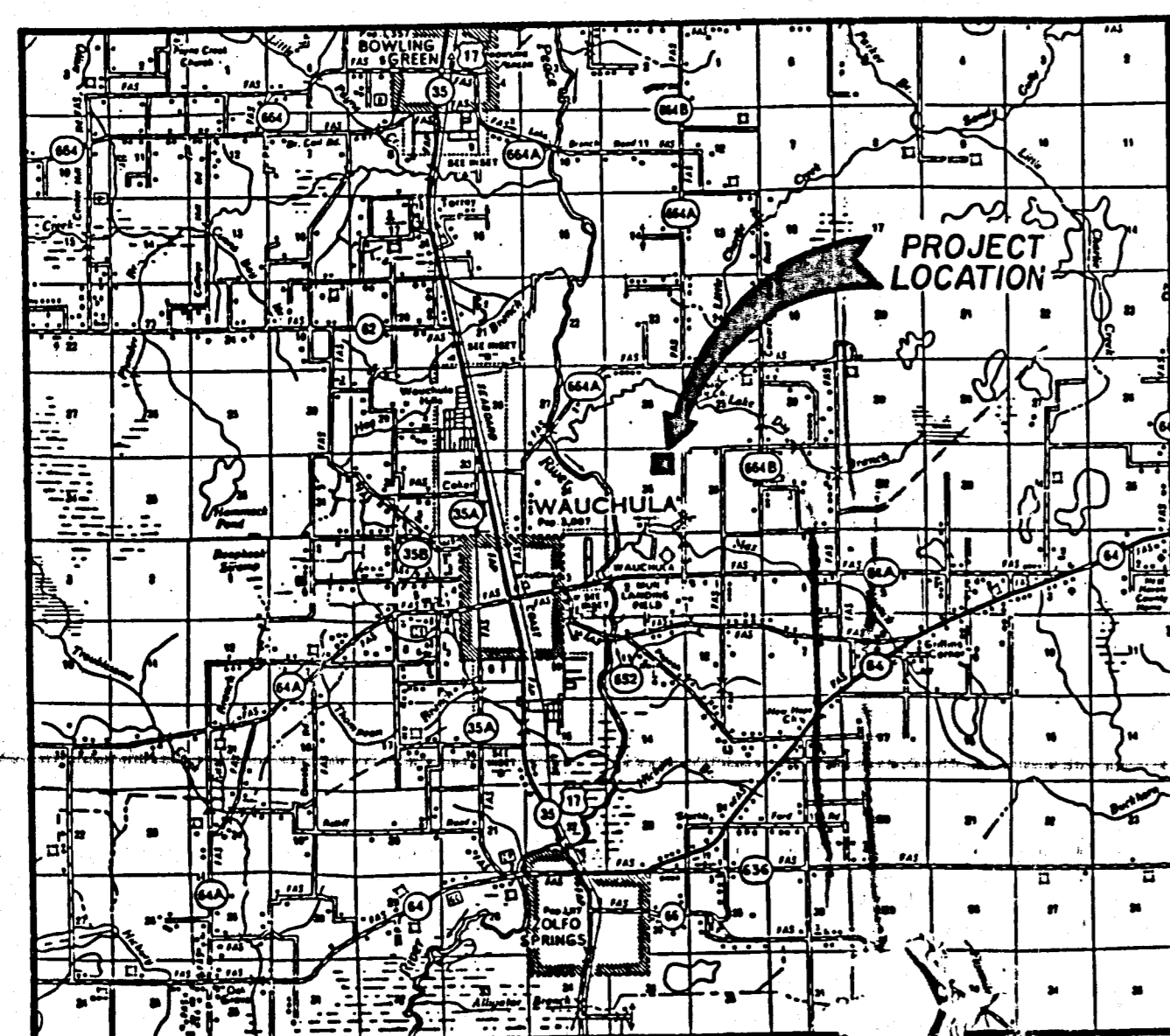


HARDEE COUNTY SANITARY LANDFILL IMPROVEMENTS



COMMISSIONERS

MAURICE HENDERSON
SAMUEL L. RAWLS
BENNY W. ALBRITTON
ROLAND L. SKIPPER
JAMES O. MOYE
COUNTY ATTORNEY
GARY ALAN VORBECK

INDEX OF DRAWINGS

<u>SHEET NO.</u>	<u>DESCRIPTION</u>
1	COVER SHEET & INDEX OF DRAWINGS
2	EXISTING SITE PLAN
3	LEACHATE COLLECTION AND SPRAY IRRIGATION SYSTEM
4	LEACHATE COLLECTION DETAILS
5	IRRIGATION PUMP STATION
6	ELECTRICAL & MISCELLANEOUS DETAILS
7	STORMWATER MANAGEMENT PLAN
8	STORMWATER MANAGEMENT PLAN DETAILS

FILE COPY ONLY COPY

D.E.P.
 JUN - 6 1997
 TAMPA

STATUS	ACTION DATE
RD	7-12-85
P	PRELIMINARY
E	FOR ESTIMATING ONLY
B	FOR BIDDING ONLY
D	RELEASED FOR CONSTRUCTION
R	REVISED DESTROY PREVIOUS PRINTS
H	PORTION(S) BEING HELD
A	APPROVAL
C	CHECK PRINT
RD	RECORD DRAWING

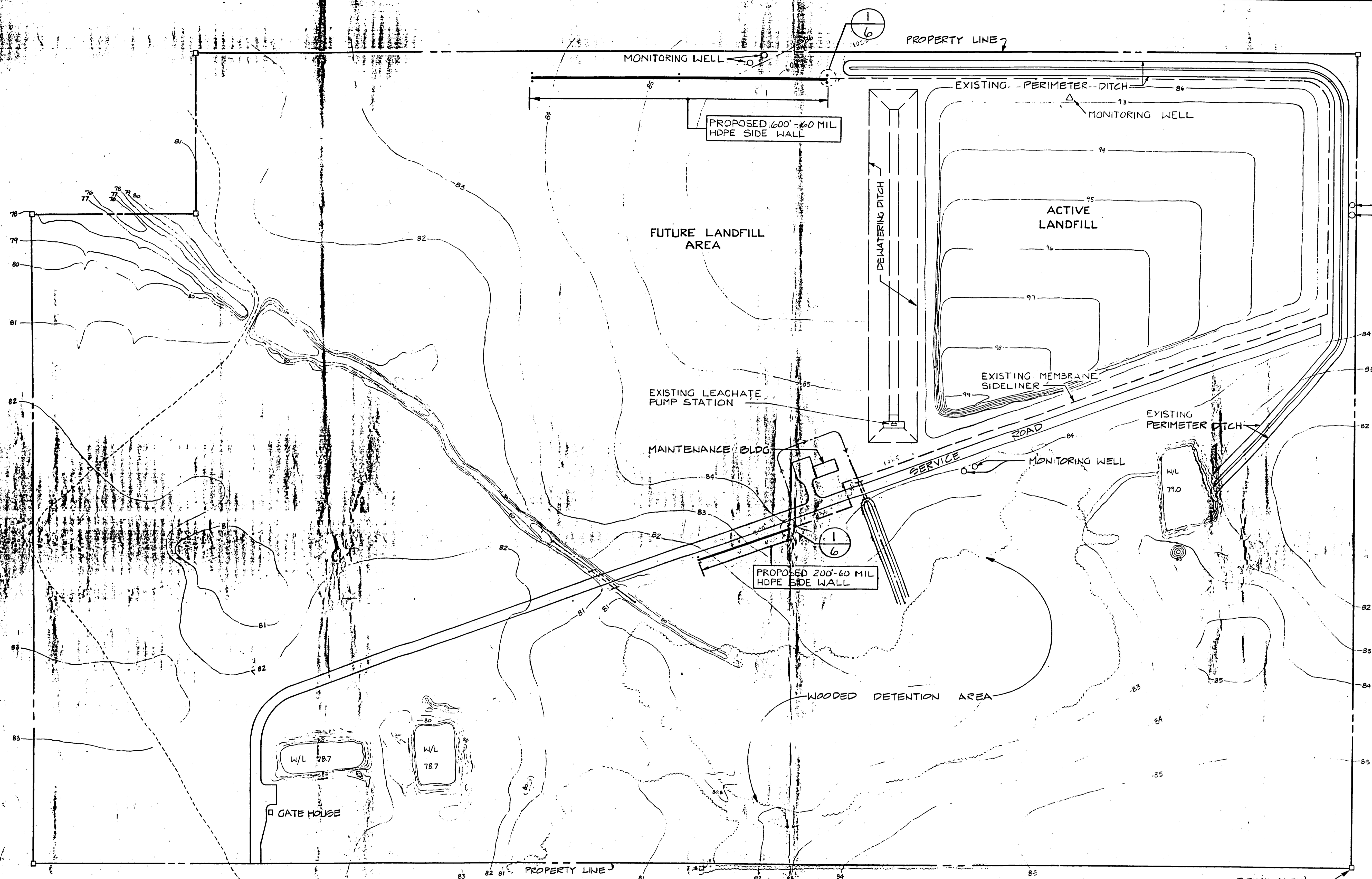
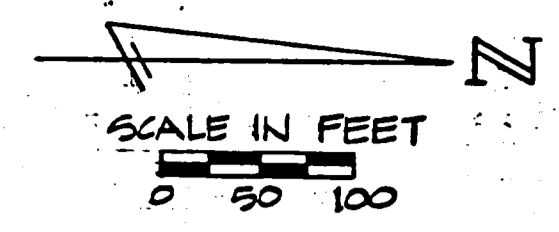
REV. NO.	DATE	REVISION	BY	CHECKED	JWC

Briley, Wild & Associates, Inc.
 CONSULTING ENGINEERS AND PLANNERS
 Ormond Beach - Clearwater - Bradenton - Orlando, Florida

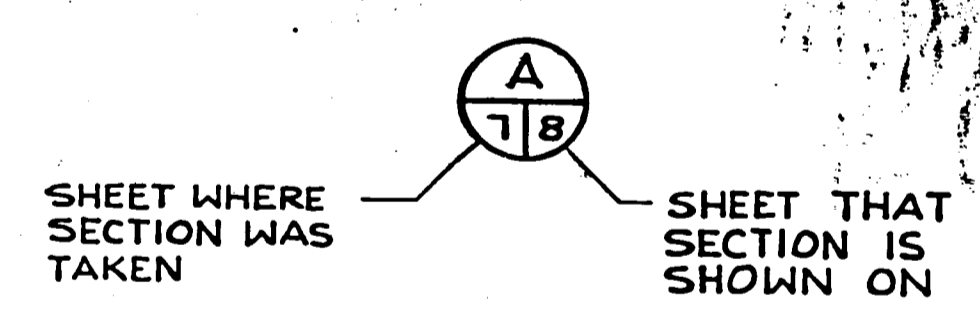
HARDEE COUNTY SANITARY LANDFILL IMPROVEMENTS
 COVER SHEET & INDEX OF DRAWINGS
 HARDEE COUNTY, FLORIDA

DATE: MARCH 1987
 SCALE: NONE
 SHEET NO. 1 OF 8

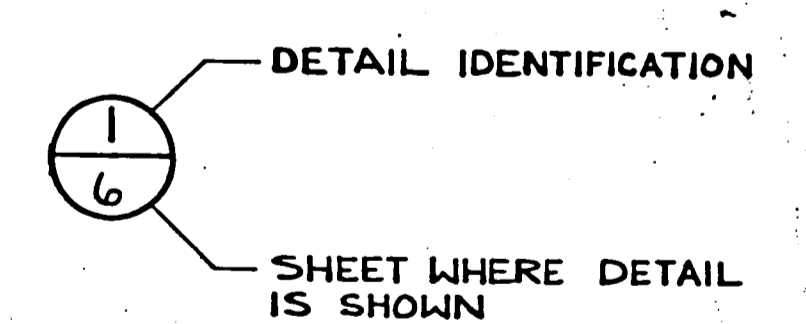
PROJ. NO. 86073-6
 FILE NO. 12363



LEGEND



SECTION DESIGNATION



DETAIL CALLOUT

ABBREVIATIONS

- CMP Corrugated Metal Pipe
- CSPE Corrugated Slotted Polyethylene Pipe
- HDPE High Density Polyethylene
- PVC Polyvinylchloride Pipe

STATUS	ACTION DATE
R	7-12-88
P	PRELIMINARY
E	FOR ESTIMATING ONLY
B	FOR BIDDING ONLY &
O	RELEASED FOR CONSTRUCTION
R	REVISED DESTROY PREVIOUS PRINTS
H	PORTION(S) BEING HELD
A	APPROVAL
C	CHECK PRINT
RD	RECORD DRAWING

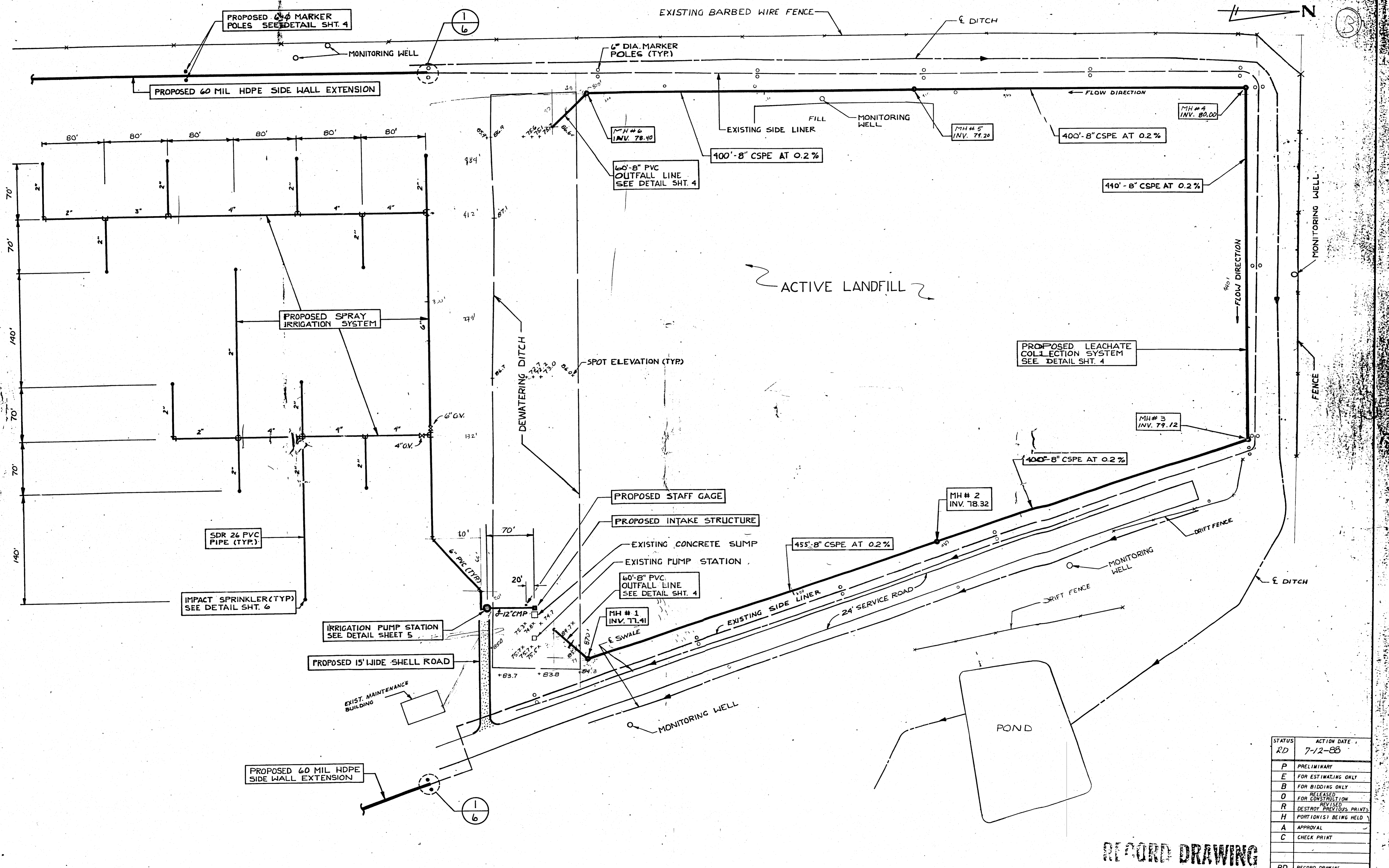
RECORD DRAWING

REV. NO.	DATE	REVISION	BY	CHECKED	APPROVED

Briley, Wild & Associates, Inc.
 CONSULTING ENGINEERS AND PLANNERS
 Ormond Beach - Clearwater - Bradenton - Orlando, Florida

HARDEE COUNTY SANITARY LANDFILL IMPROVEMENTS
 EXISTING SITE PLAN
 HARDEE COUNTY, FLORIDA

DATE: MARCH 1987	PROJ. NO. 86073-6
SCALE: 1"=100'	FILE NO. 12364
SHEET NO. 2 OF 8	



STATUS	ACTION DATE
RD	7-12-88
P	PRELIMINARY
E	FOR ESTIMATING ONLY
B	FOR BIDDING ONLY
O	RELEASED FOR CONSTRUCTION
R	REVISED DESTROY PREVIOUS PRINTS
H	PORTION(S) BEING HELD
A	APPROVAL
C	CHECK PRINT
RD	RECORD DRAWING

RECORD DRAWING

REV. NO.	DATE	REVISION	BY	CHECKED

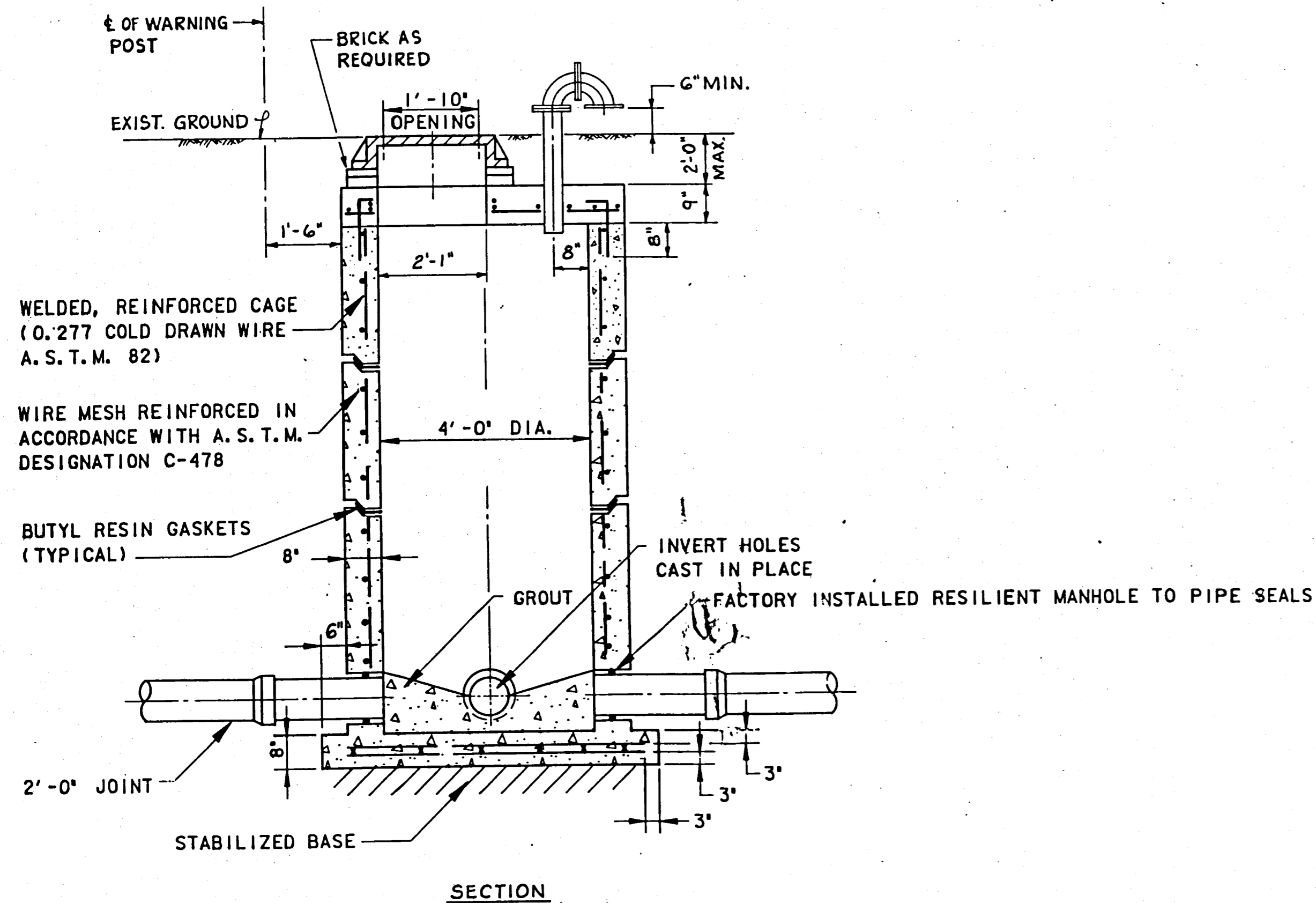
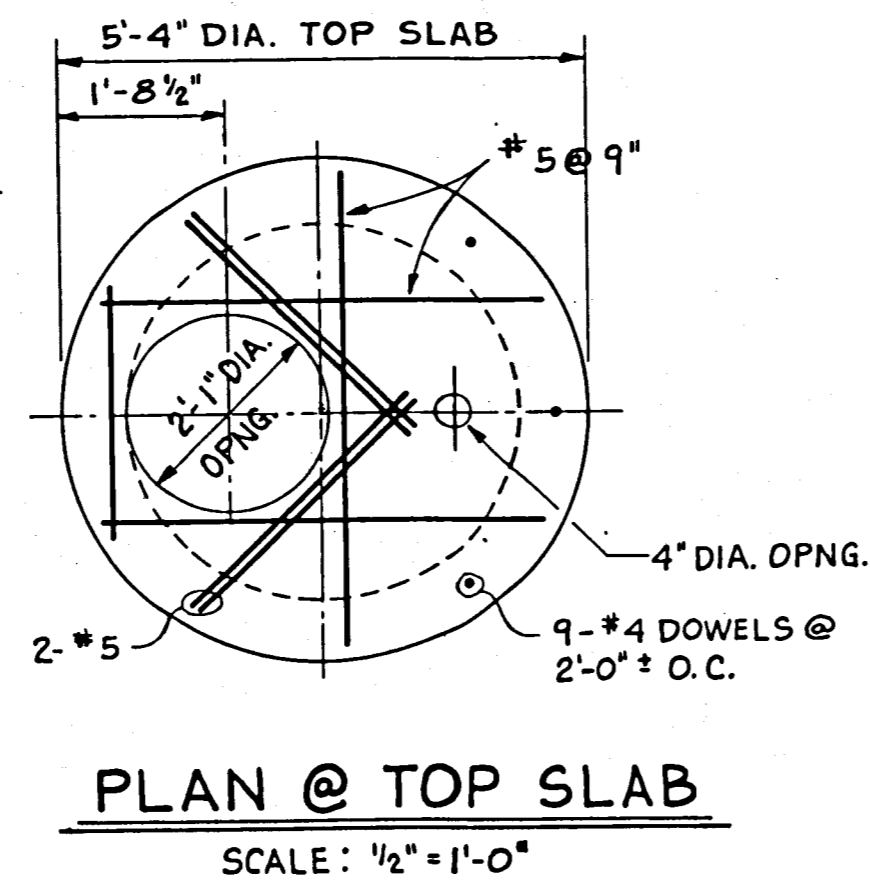
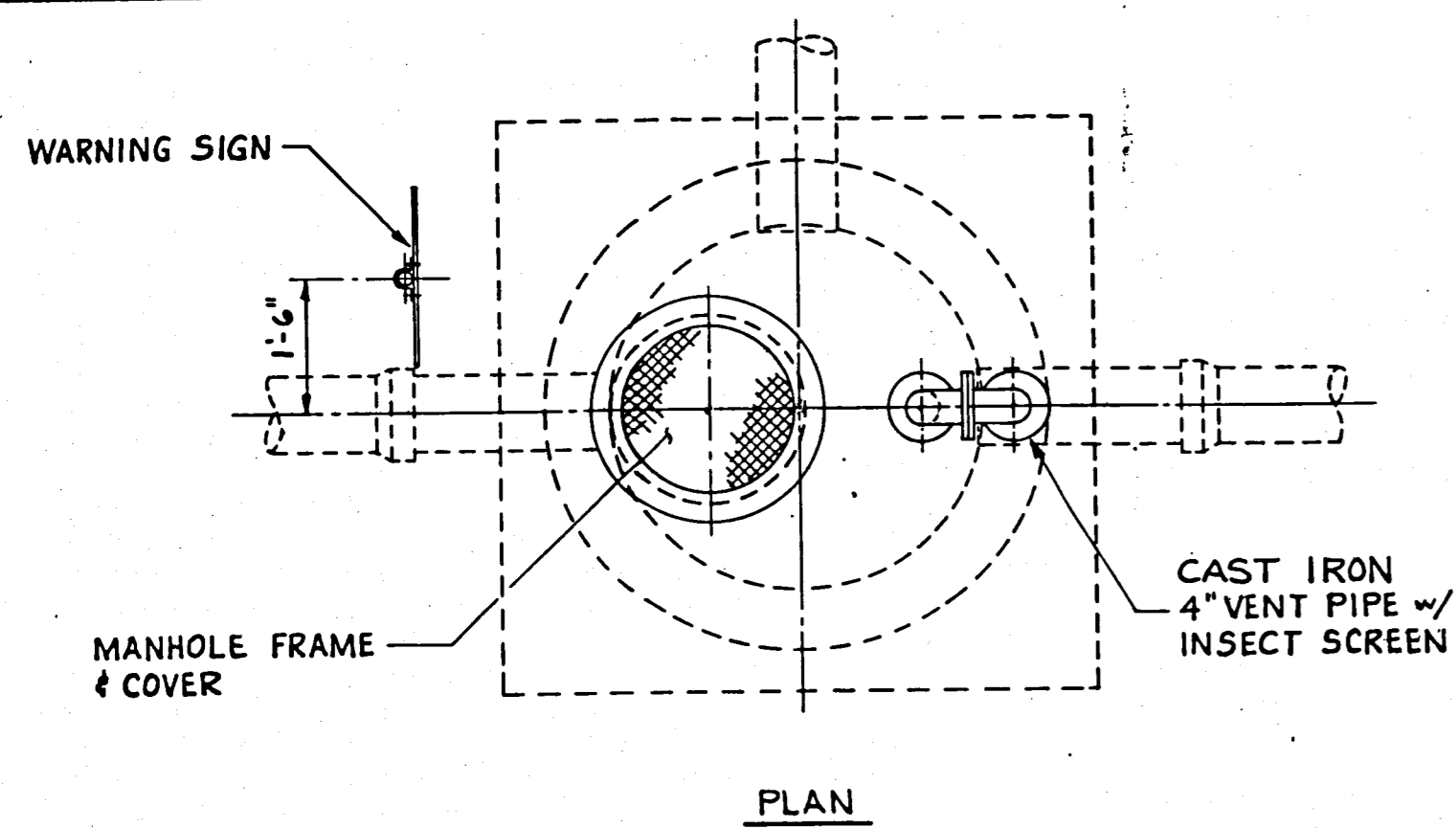
DESIGNED: LAP
 DRAWN: TDC
 CHECKED: JWC

SUBMITTED BY: *John W. Lammie*
 APPROVED: _____

BRILEY, WILD & ASSOCIATES, INC.
 CONSULTING ENGINEERS AND PLANNERS
 Ormond Beach - Clearwater - Bradenton - Orlando, Florida

HARDEE COUNTY SANITARY LANDFILL IMPROVEMENTS
 LEACHATE COLLECTION AND SPRAY IRRIGATION SYSTEM
 HARDEE COUNTY, FLORIDA

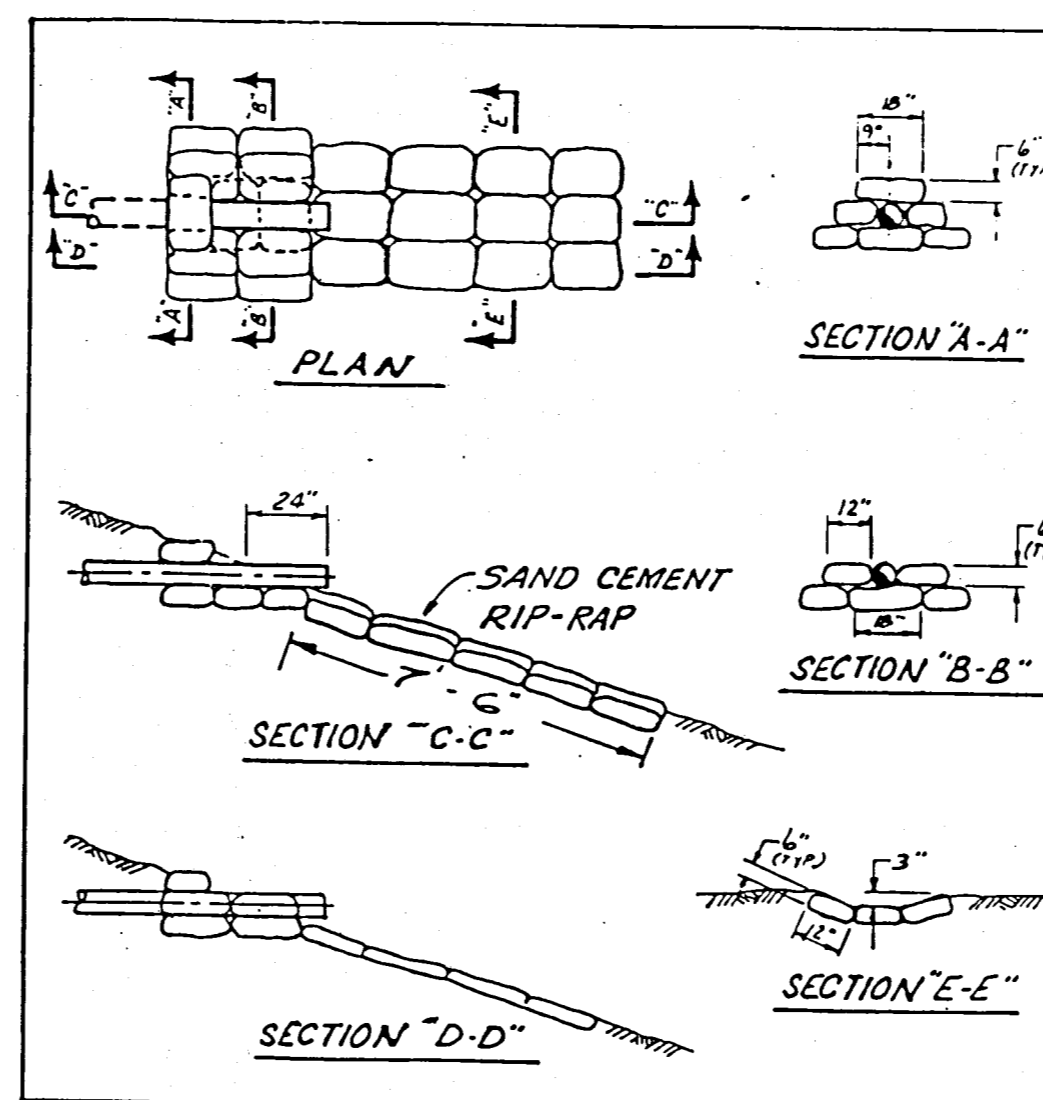
DATE: MARCH 1987	PROJ. NO. 86073-6
SCALE: 1"=50'	FILE NO. 12365
SHEET NO. 3 OF 8	



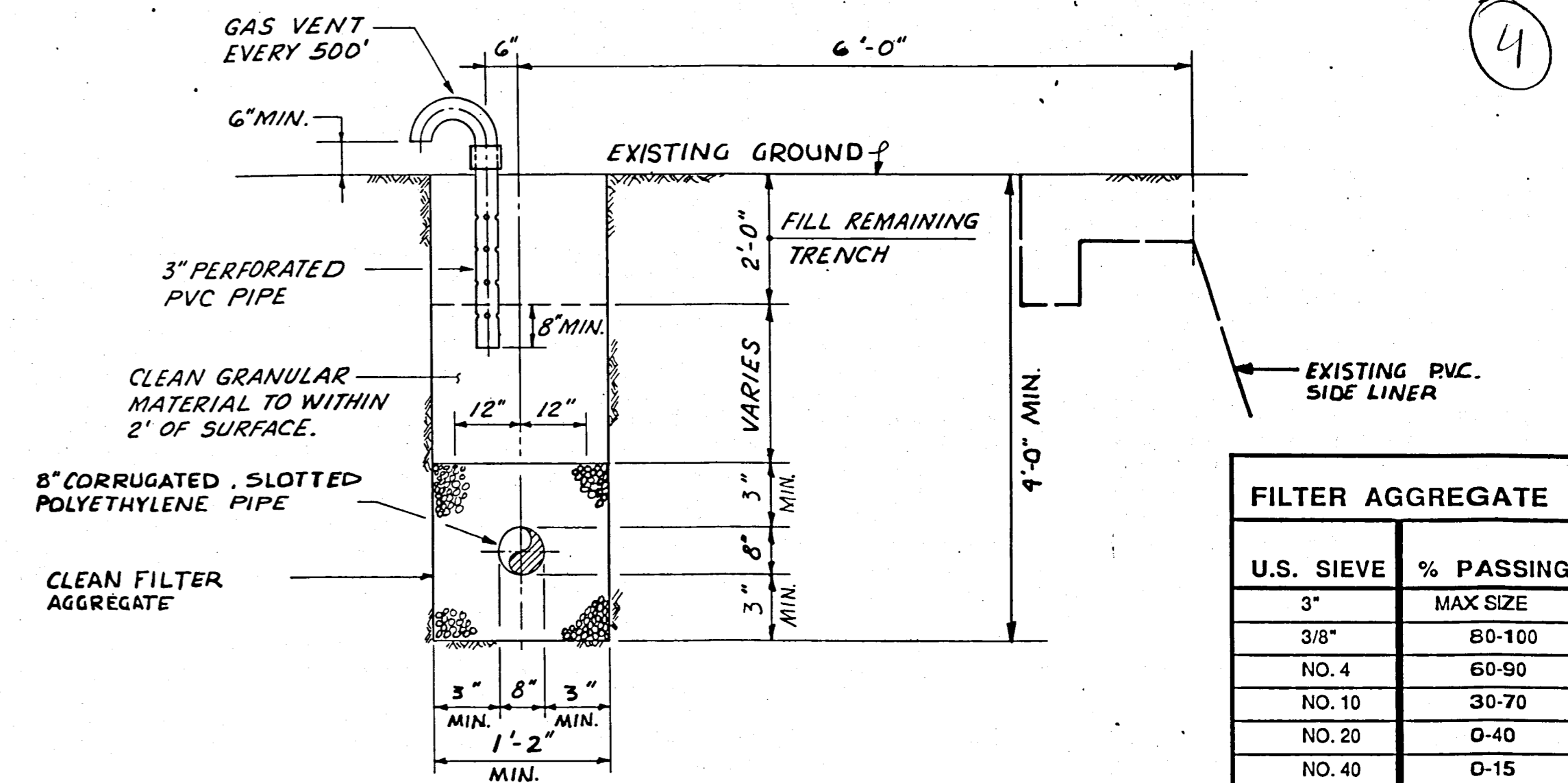
STANDARD PRECAST MANHOLE
SCALE: 1/2" = 1'-0"

NOTE:
MANHOLE FRAMES AND COVERS SHALL CONFORM TO A.S.T.M. DESIGNATION A 48-(1971) OR FEDERAL SPECIFICATIONS 00-1-652B. COMBINED WEIGHT SHALL BE NOT LESS THAN 305 POUNDS, COVER = 145 LBS., FRAME = 160 LBS.

- NOTES:**
1. INVERT HOLES TO BE CAST IN PLACE & 2" LARGER THAN PIPE O.D.
 2. ALL CONCRETE USED SHALL BE STRUCTURAL & CONFORM TO OR EXCEED REQUIREMENTS OF A.S.T.M. DESIGNATION C-478 FOR PRECAST CONCRETE MANHOLES.

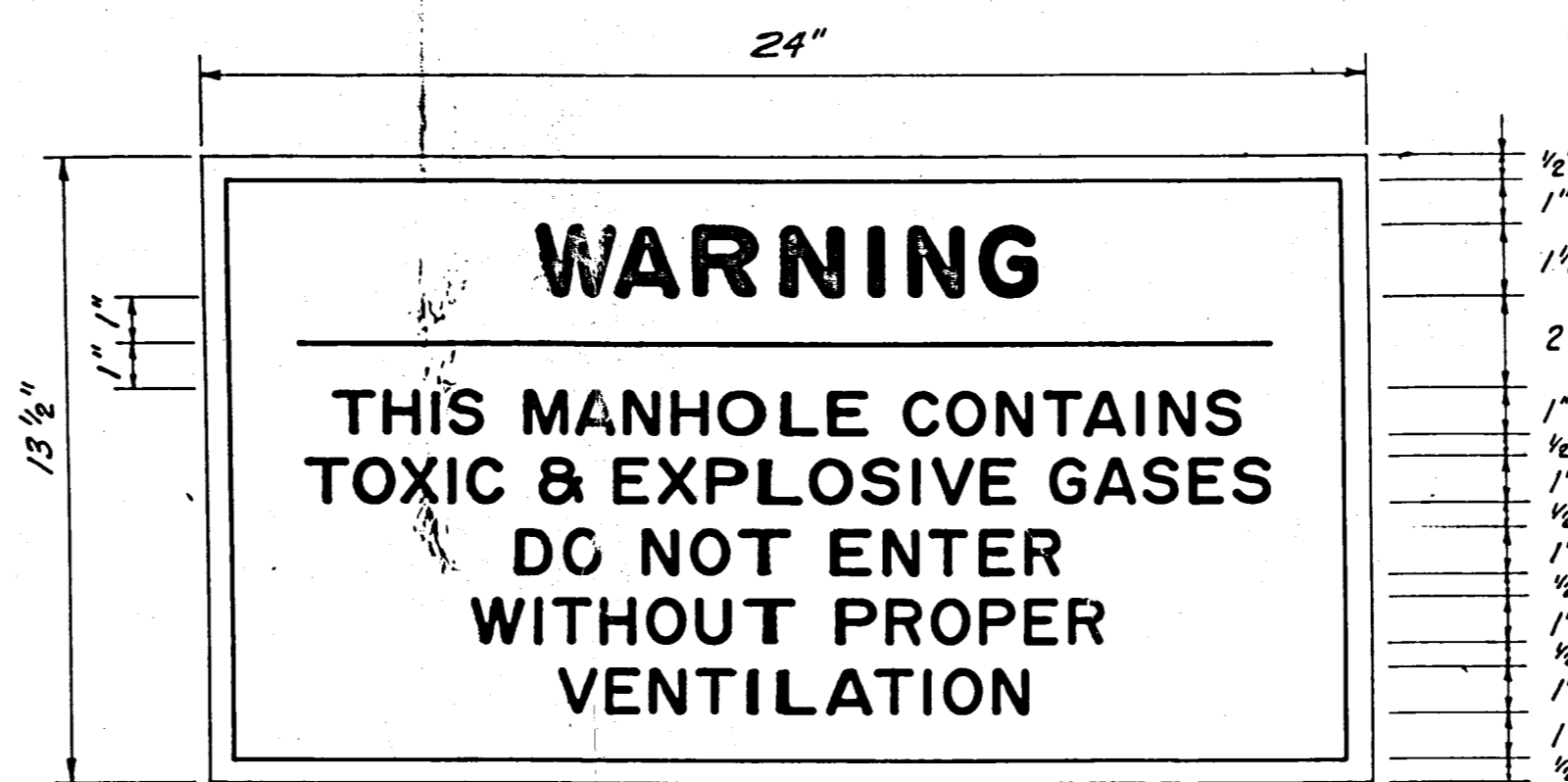


TYPICAL OUTFALL DETAILS
N.T.S.



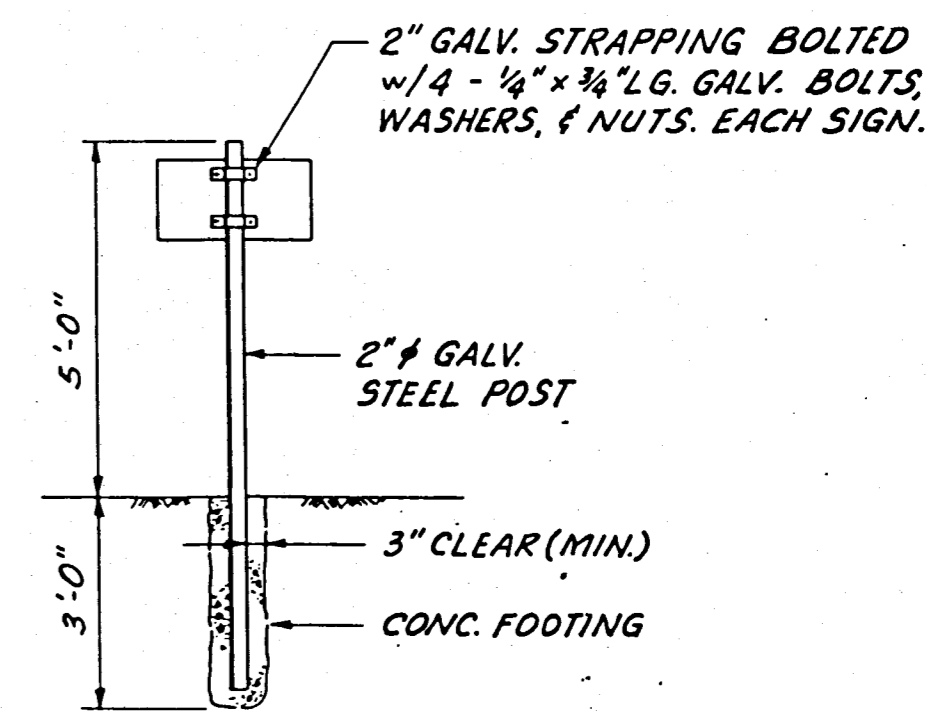
LEACHATE COLLECTION SEWER TRENCH DETAIL
N.T.S.

FILTER AGGREGATE	
U.S. SIEVE	% PASSING
3"	MAX SIZE
3/8"	80-100
NO. 4	60-90
NO. 10	30-70
NO. 20	0-40
NO. 40	0-15

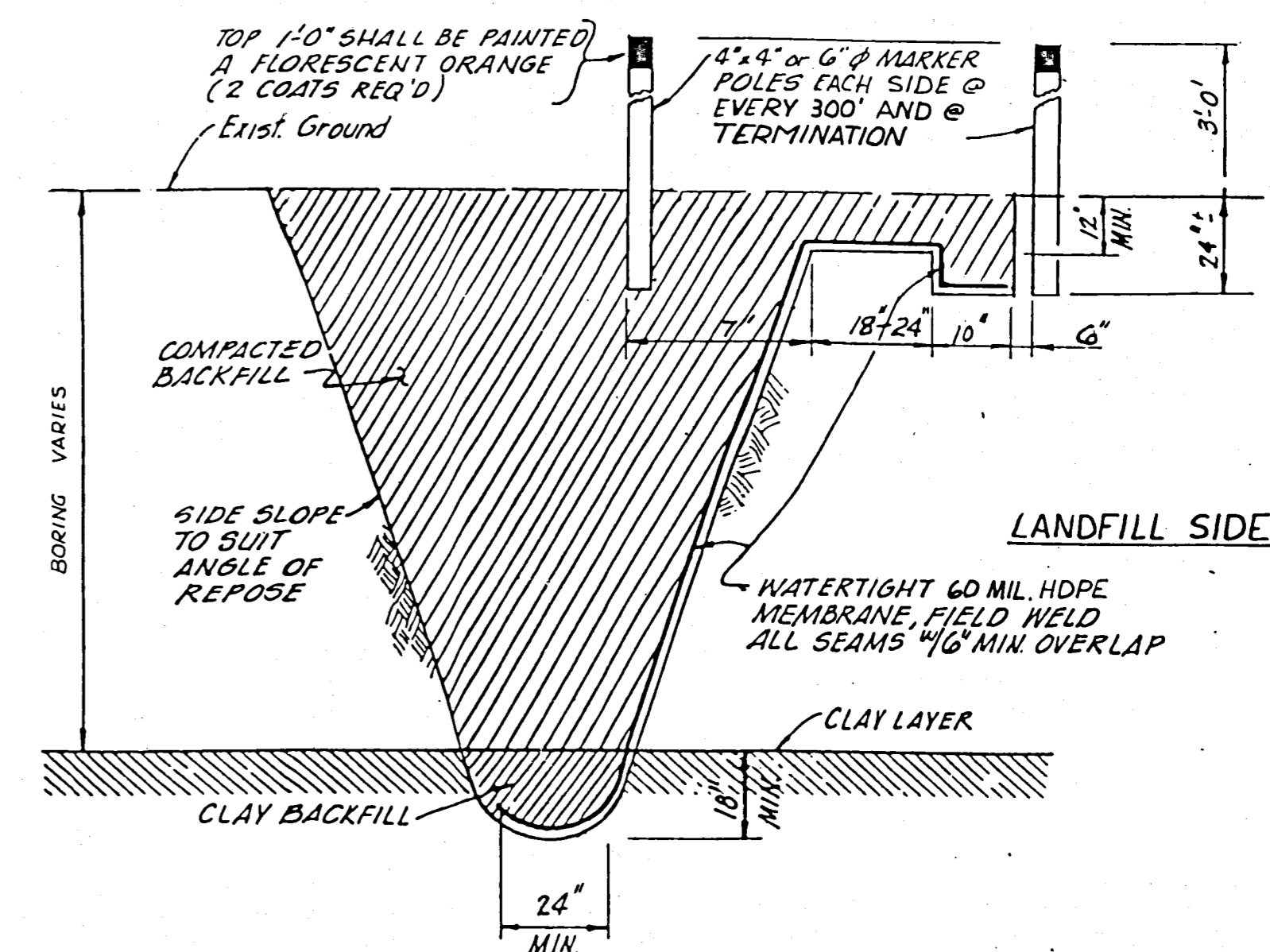


- NOTES:**
1. THE COLOR OF THE SIGN SHALL BE HIGH INTENSITY SILVER-WHITE REFLECTORIZED BACKGROUND WITH RED OPAQUE BORDER AND LEGEND. SIGN PANEL SHALL BE 0.08 IN. MIN. THICK ALUMINUM. PANELS ARE TO BE DEGREASED, ETCHED, NEUTRALIZED AND TREATED WITH ALODINE 1200, IRIDINE 14-2, BONDNERITE T21 OR EQUAL. NO STENCILING PERMITTED ON PANELS.
 2. PLACE 13 1/2" x 24" SIGNS AS SHOWN ON SIGN PLACEMENT DETAIL THIS SHEET. (6 REQUIRED)

WARNING SIGN DETAIL
SCALE: 3" = 1'-0"



SIGN PLACEMENT DETAIL
SCALE: 3/8" = 1'-0"



SIDE WALL EXTENSION DETAIL
N.T.S.

D.E.P.
JUN - 6 1997
SOUTHFLORIDA DISTRICT
TAMPA

STATUS	ACTION DATE
RD	7-12-86
P	PRELIMINARY
E	FOR ESTIMATING ONLY
B	FOR BIDDING ONLY
O	FOR CONSTRUCTION
R	RELEASED DESTROY PREVIOUS PRINTS
H	PORTION(S) BEING HELD
A	APPROVAL
C	CHECK PRINT
RD	RECORD DRAWING

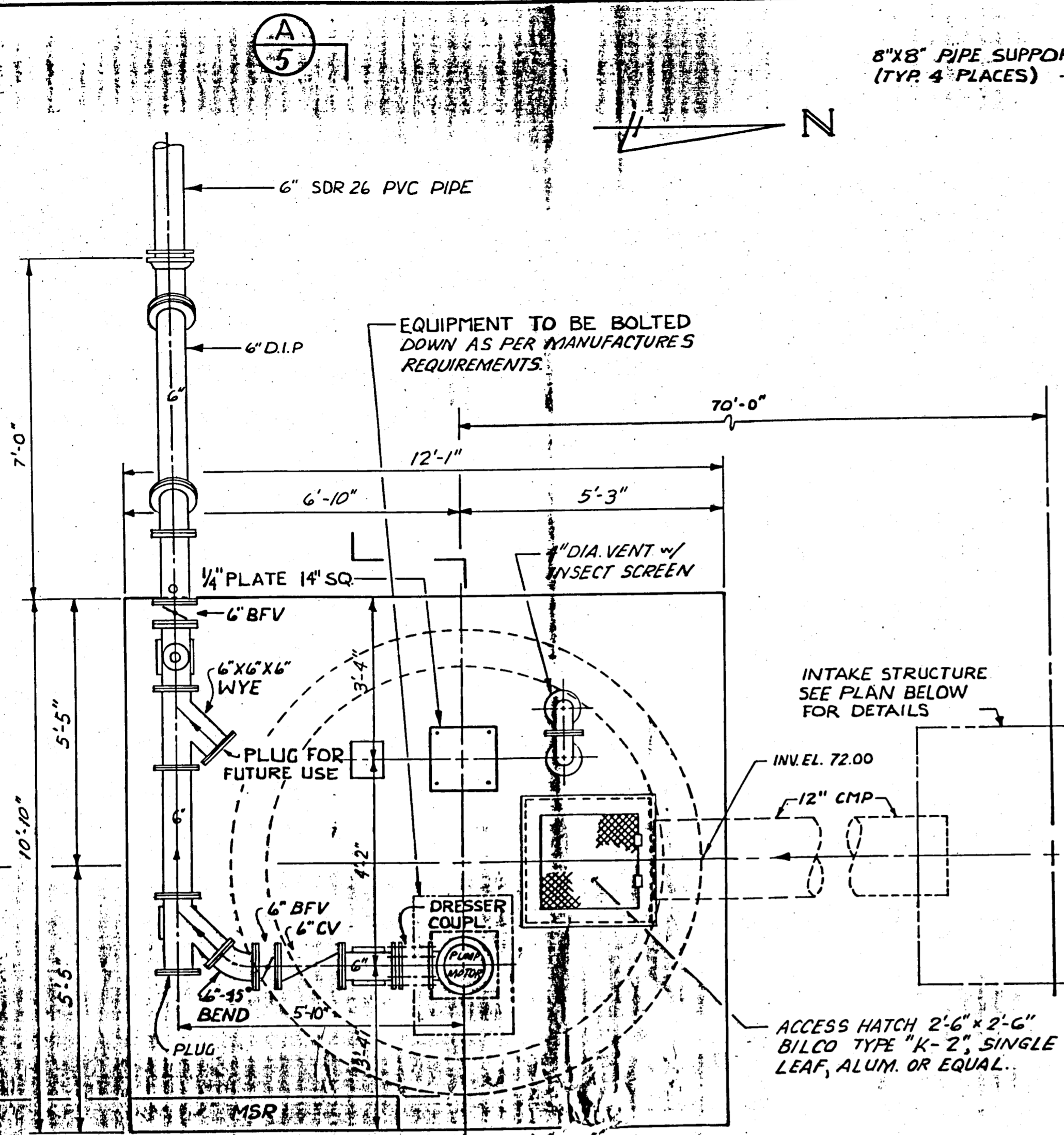
REV. NO.	DATE	REVISION	BY	CHECKED

Briley, Wild & Associates, Inc.
CONSULTING ENGINEERS AND PLANNERS
Ormond Beach - Clearwater - Bradenton - Orlando, Florida

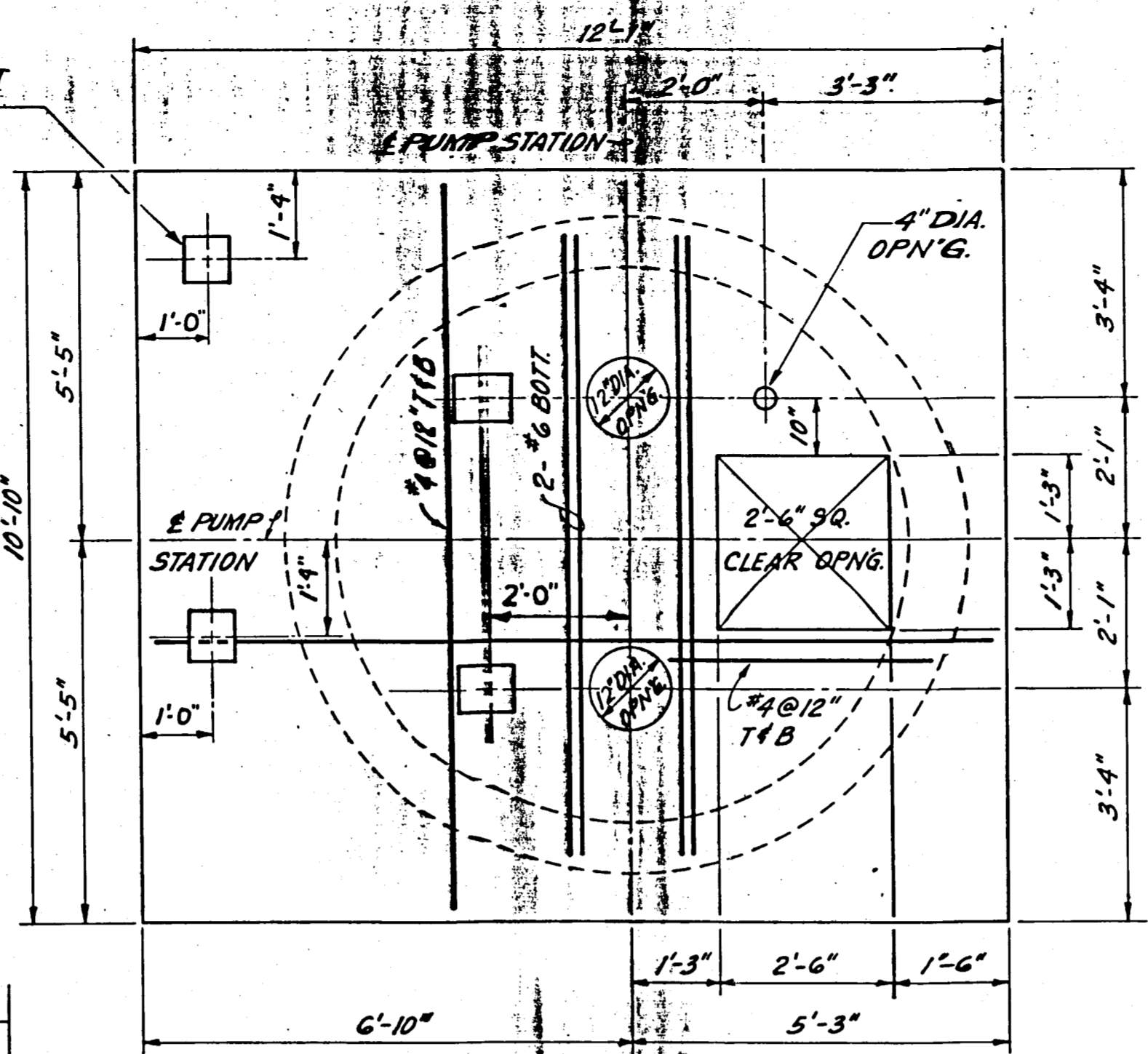
HARDEE COUNTY SANITARY LANDFILL IMPROVEMENTS
LEACHATE COLLECTION DETAILS
HARDEE COUNTY, FLORIDA

DATE: MARCH 1987
SCALE: AS SHOWN
SHEET NO. 4 OF 8
PROJ. NO. 86073-6
FILE NO. 12366

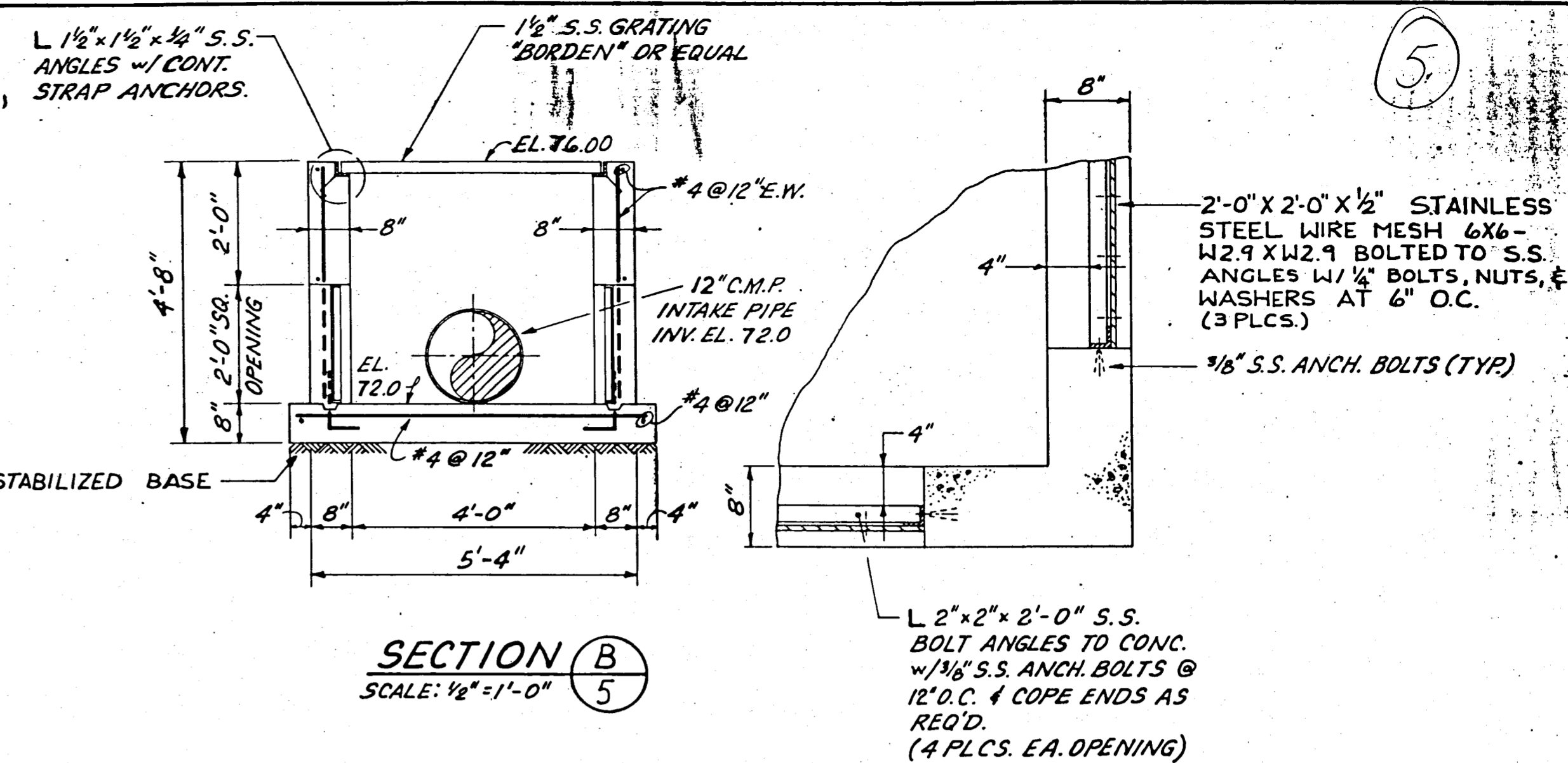
5



IRRIGATION PUMP STATION
SCALE: 1/2" = 1'-0"

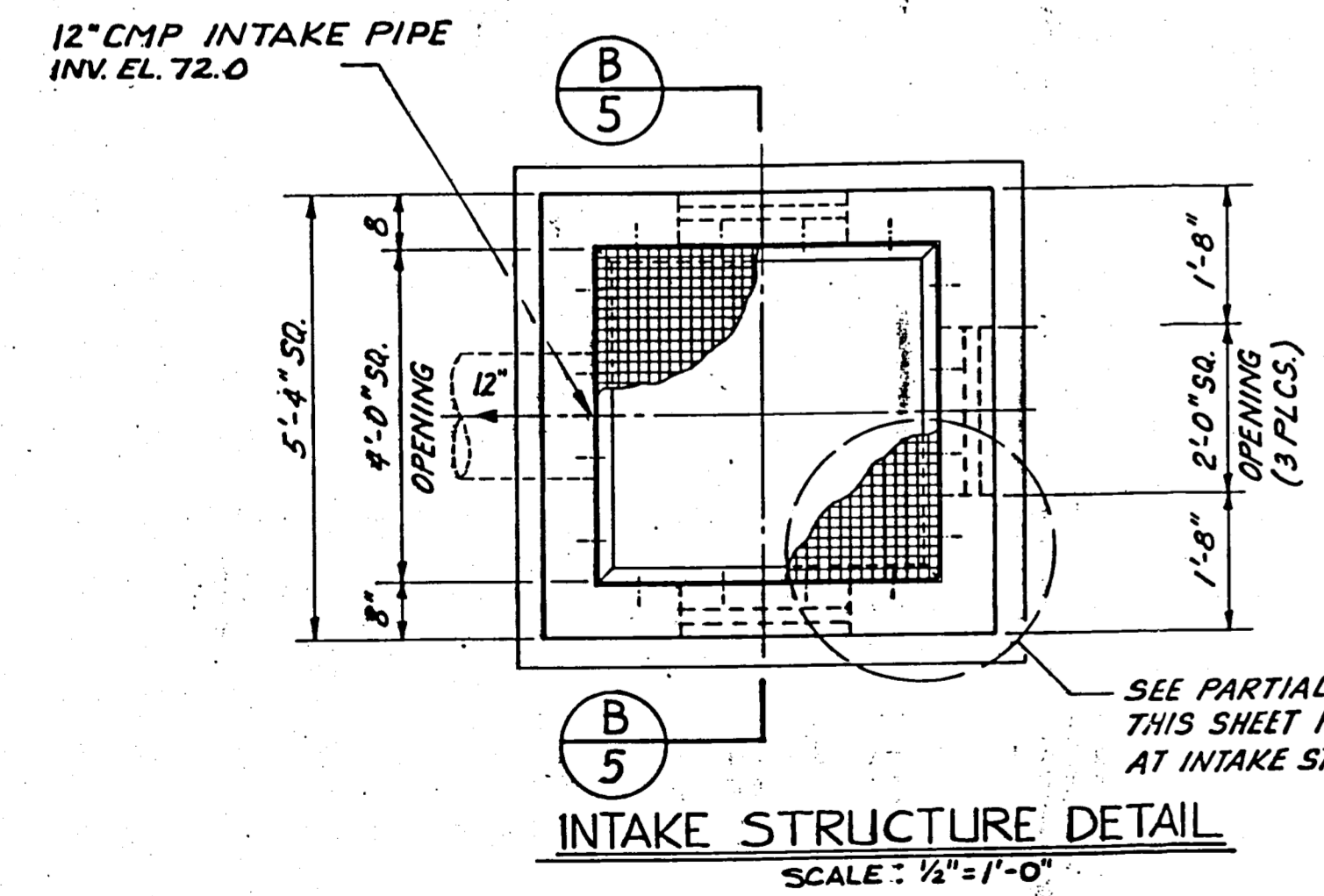


PLAN @ TOP SLAB
SCALE: 1/2" = 1'-0"

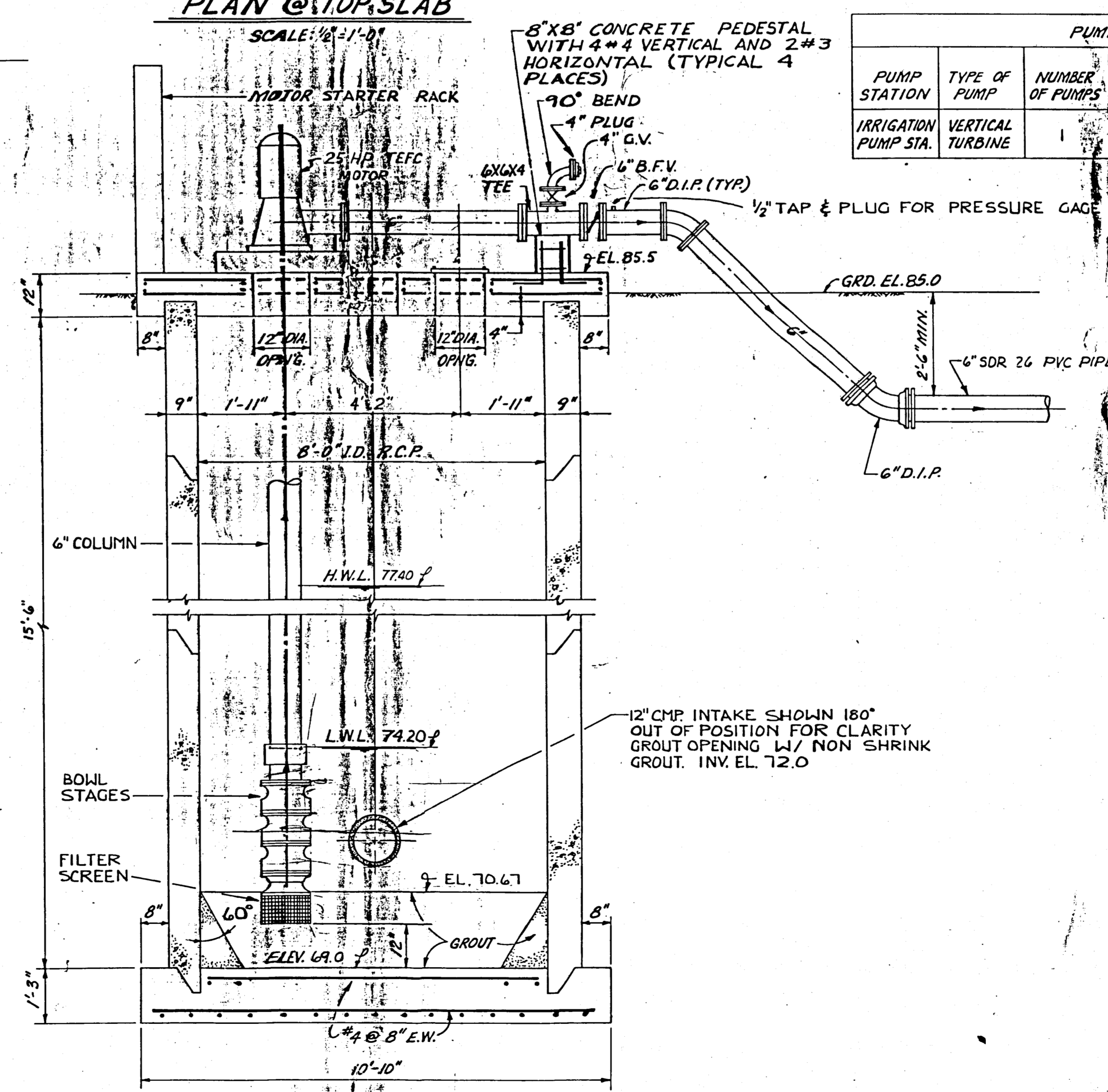


SECTION B
SCALE: 1/2" = 1'-0"

PARTIAL PLAN @ ELEV. 73.0
SCALE: 1" = 1'-0"



INTAKE STRUCTURE DETAIL
SCALE: 1/2" = 1'-0"



SECTION A
SCALE: 1/2" = 1'-0"

PUMP DATA						
PUMP STATION	TYPE OF PUMP	NUMBER OF PUMPS	PUMP CAPACITY G.P.M.	TDH FEET	MAX. RPM	MIN. H.P.
IRRIGATION PUMP STA.	VERTICAL TURBINE	1	370	164	1770	25

72

D.E.P.
JUN - 6 1997
COUNTY DISTRICT
TAMPA

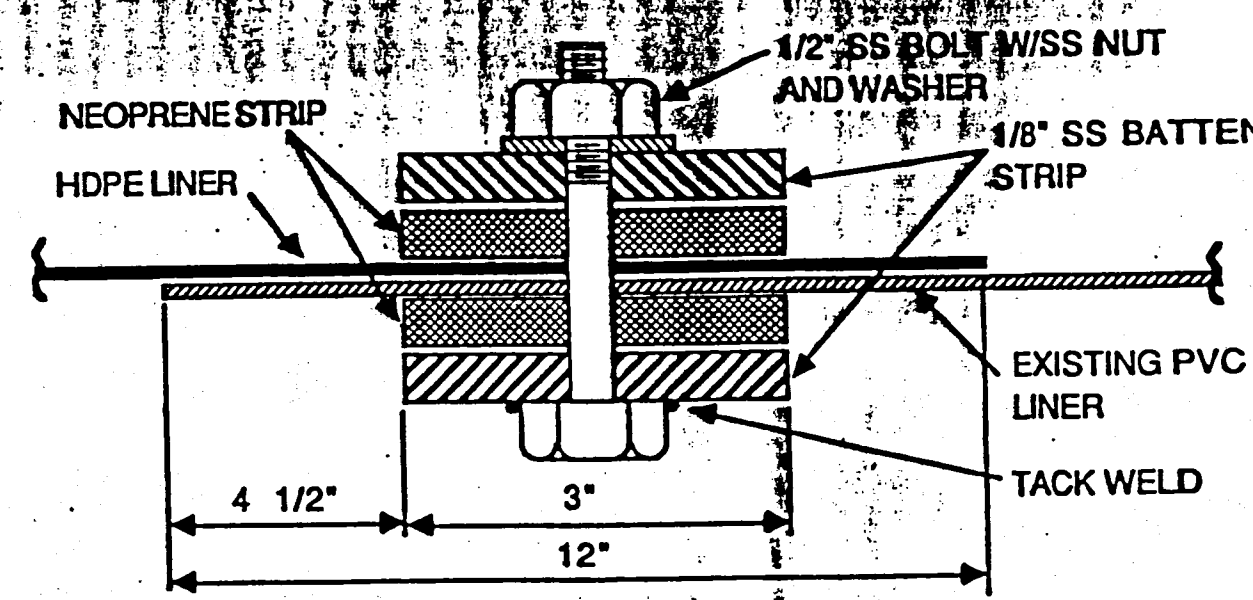
STATUS	ACTION DATE
RD	7-12-88
P	PRELIMINARY
E	FOR ESTIMATING ONLY
B	FOR BIDDING ONLY
O	RELEASED FOR CONSTRUCTION
R	REVISED DESTROY PREVIOUS PRINTS
H	PORTION(S) BEING HELD
A	APPROVAL
C	CHECK PRINT
RD	RECORD DRAWING

DESIGNED: LAP
DRAWN: TDC
SUBMITTED BY: BRILEY, WILD & ASSOCIATES
APPROVED: [Signature]

Briley, Wild & Associates, Inc.
CONSULTING ENGINEERS AND PLANNERS
Ormond Beach - Clearwater - Bradenton - Orlando, Florida

HARDEE COUNTY SANITARY LANDFILL IMPROVEMENTS
IRRIGATION PUMP STATION
HARDEE COUNTY, FLORIDA

DATE: MARCH 1987
SCALE: AS SHOWN
SHEET NO. 5 OF 8
PROJ. NO. 86073-6
FILE NO. 12367

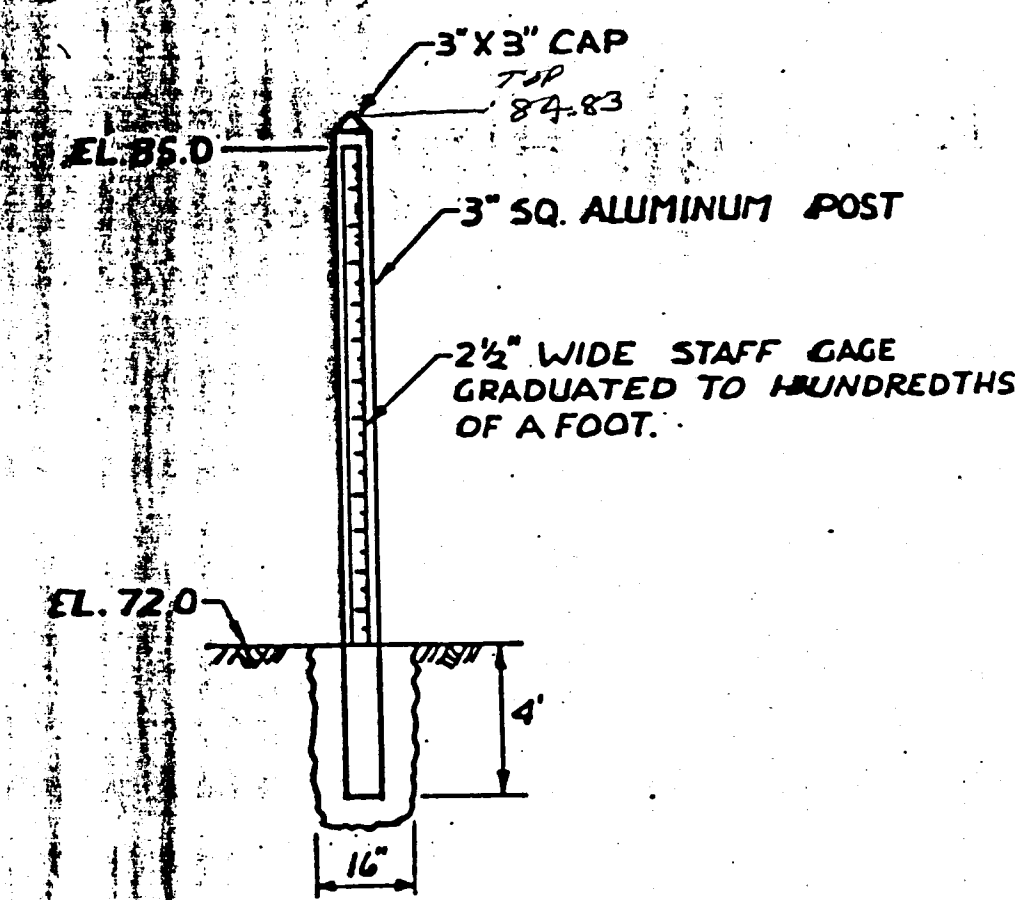


CONNECTION TO EXISTING LINER

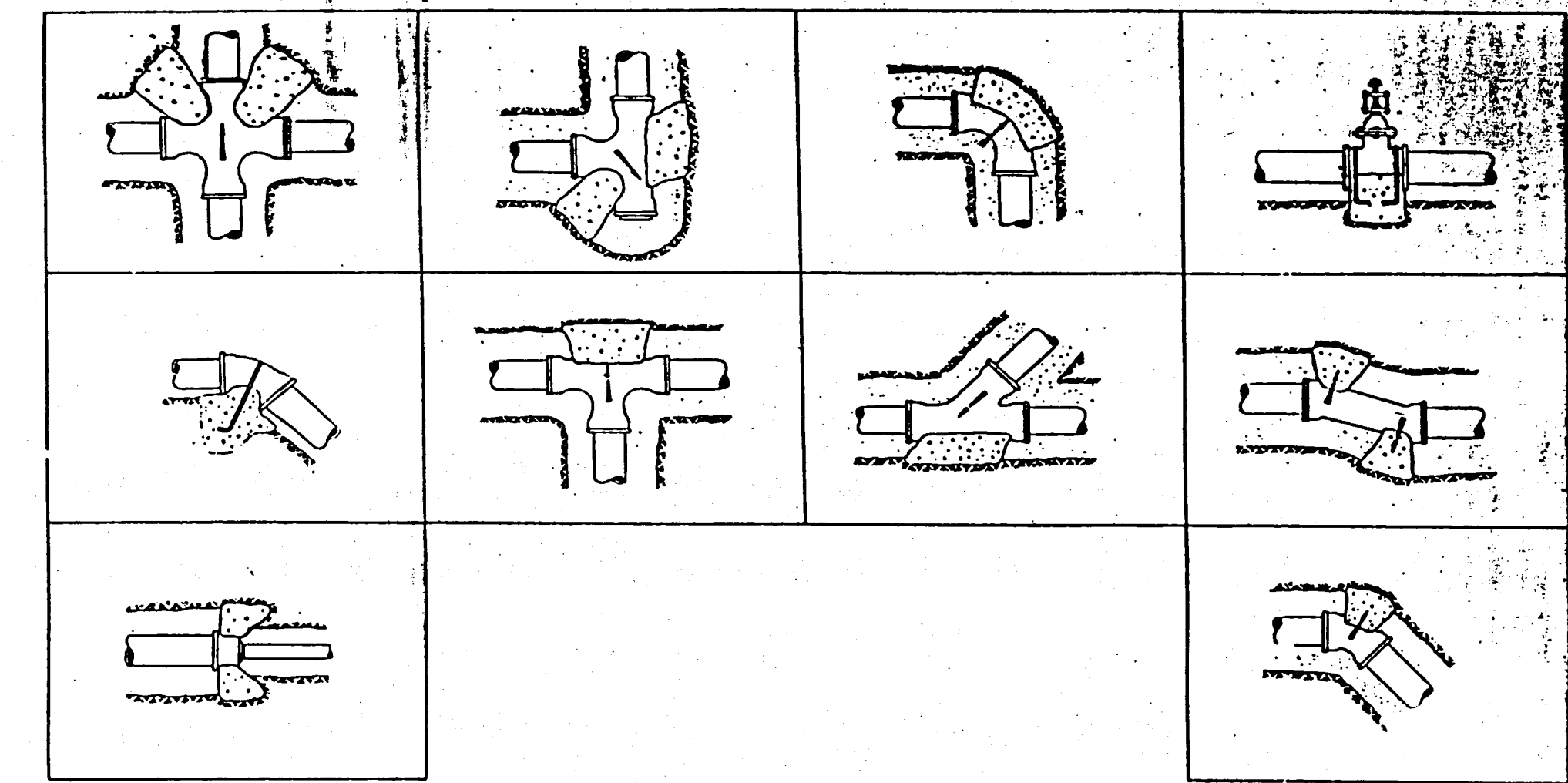
NOTE:

1. EXISTING PVC LINER TO BE THOROUGHLY CLEANED PRIOR TO MAKING CONNECTION.
2. BATTENS TO BE PLACED CONTINUOUS OVER THE ENTIRE EXPOSED END OF THE EXISTING LINER.
3. BOLTS TO BE PLACED ON 16\"/>

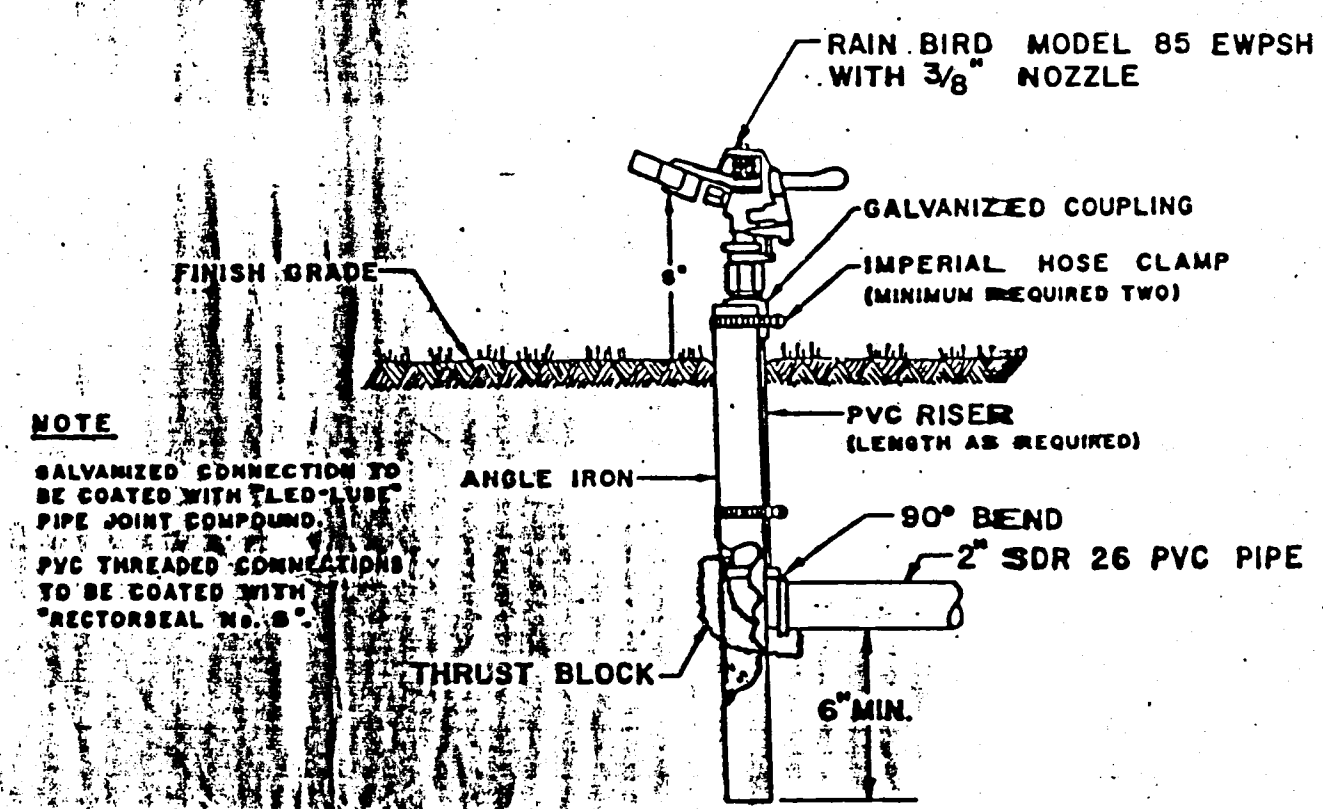
DETAIL
N.T.S. (11/16)



STAFF GAGE
N.T.S.



TYPICAL THRUST BLOCK DETAILS

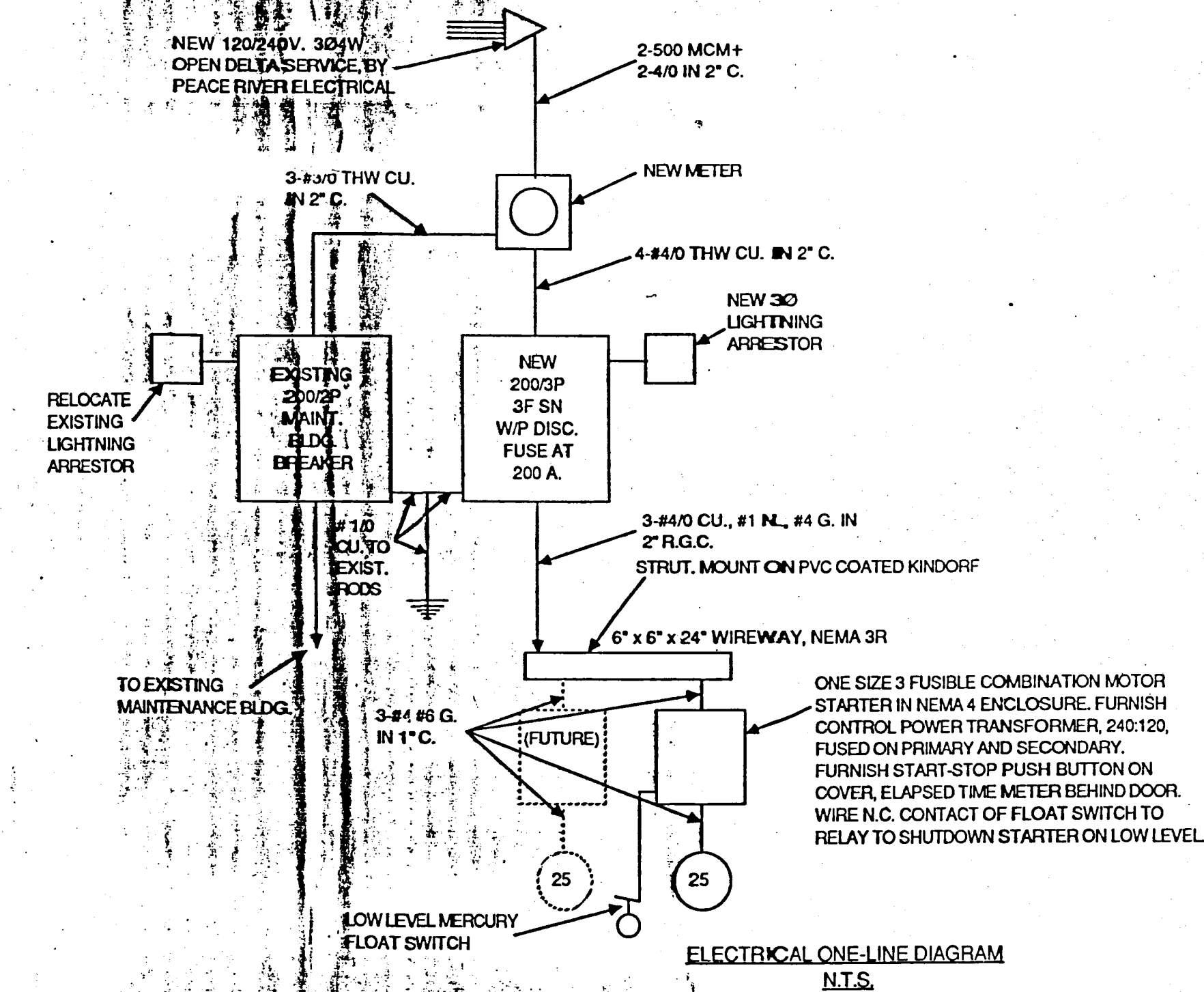


TYPICAL SPRINKLER HEAD DETAIL
N.T.S.

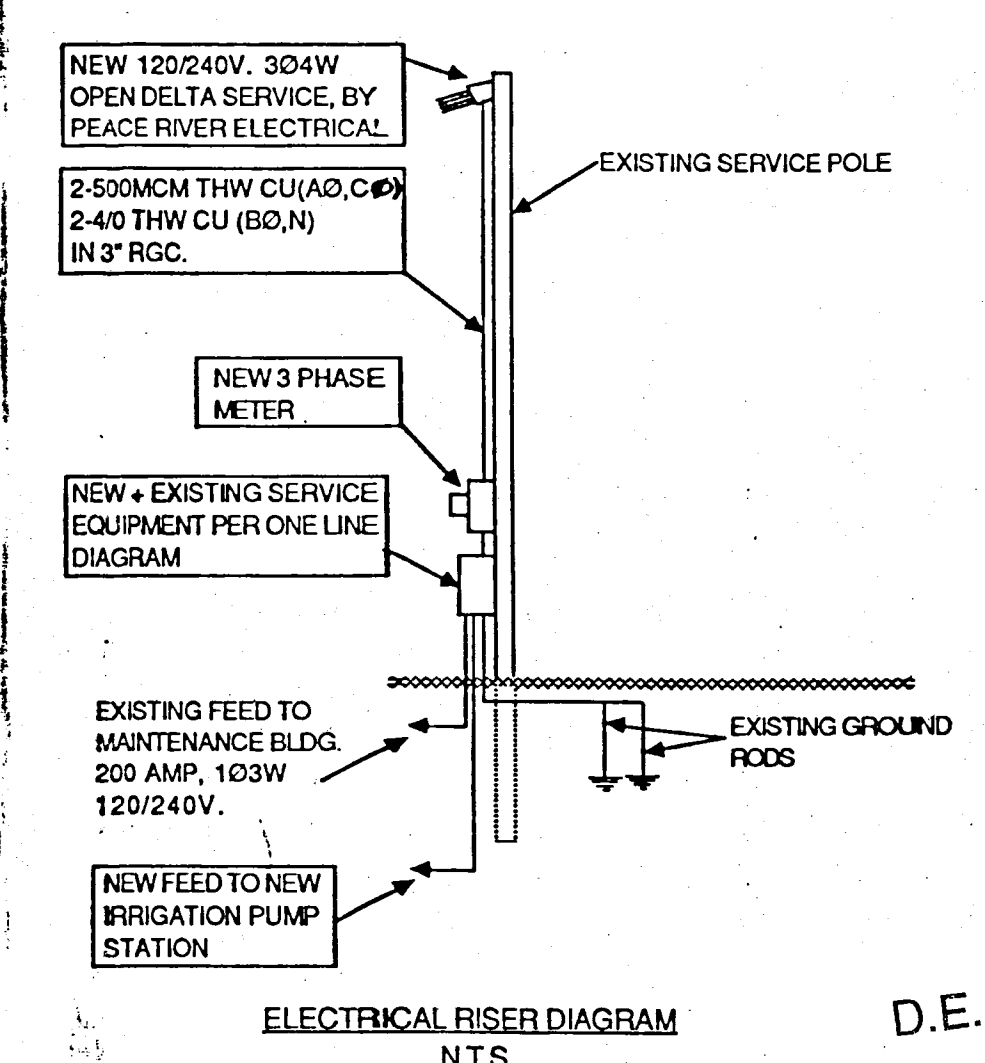
BEARING AREA TABLE (SQUARE FEET)

PIPE SIZE	DEAD END OR TEE	90° ELBOW	45° ELBOW	22 1/2° ELBOW
1 1/2"	0.22	0.31	0.17	0.09
2"	0.34	0.48	0.26	0.13
2 1/2"	0.50	0.71	0.38	0.20
3"	0.74	1.04	0.56	0.29
3 1/2"	0.96	1.36	0.74	0.37
4"	1.22	1.73	0.93	0.47
5"	1.65	2.63	1.42	0.72
6"	2.61	3.69	2.00	1.02
8"	4.43	6.26	3.39	1.73
10"	6.86	9.75	5.25	2.69
12"	9.68	13.65	7.39	3.77

THE FIGURES IN THESE TABLES ARE BASED ON 2,000 LBS. PER SQUARE FOOT SOIL BEARING AGAINST THE UNDISTURBED TRENCH WALL AND ARE TO REPRESENT THE MINIMUM VERTICAL PROJECTED AREA OF THE THRUST BLOCK IN A PLANE PERPENDICULAR TO THE LINE BISECTING THE INCLUDED ANGLE OF THE FITTING.



ELECTRICAL ONE-LINE DIAGRAM
N.T.S.



ELECTRICAL RISER DIAGRAM
N.T.S.

D.E.P.
JUN - 6 1997
SOUTH FLORIDA DISTRICT
TAMPA

STATUS	ACTION DATE
RD	7-12-88
P	PRELIMINARY
E	FOR ESTIMATING ONLY
B	FOR BIDDING ONLY
D	RELEASED FOR CONSTRUCTION
H	DESTROY PREVIOUS PRINTS
R	PORTION(S) BEING HELD
A	APPROVAL
C	CHECK PRINT
RD	RECORD DRAWING

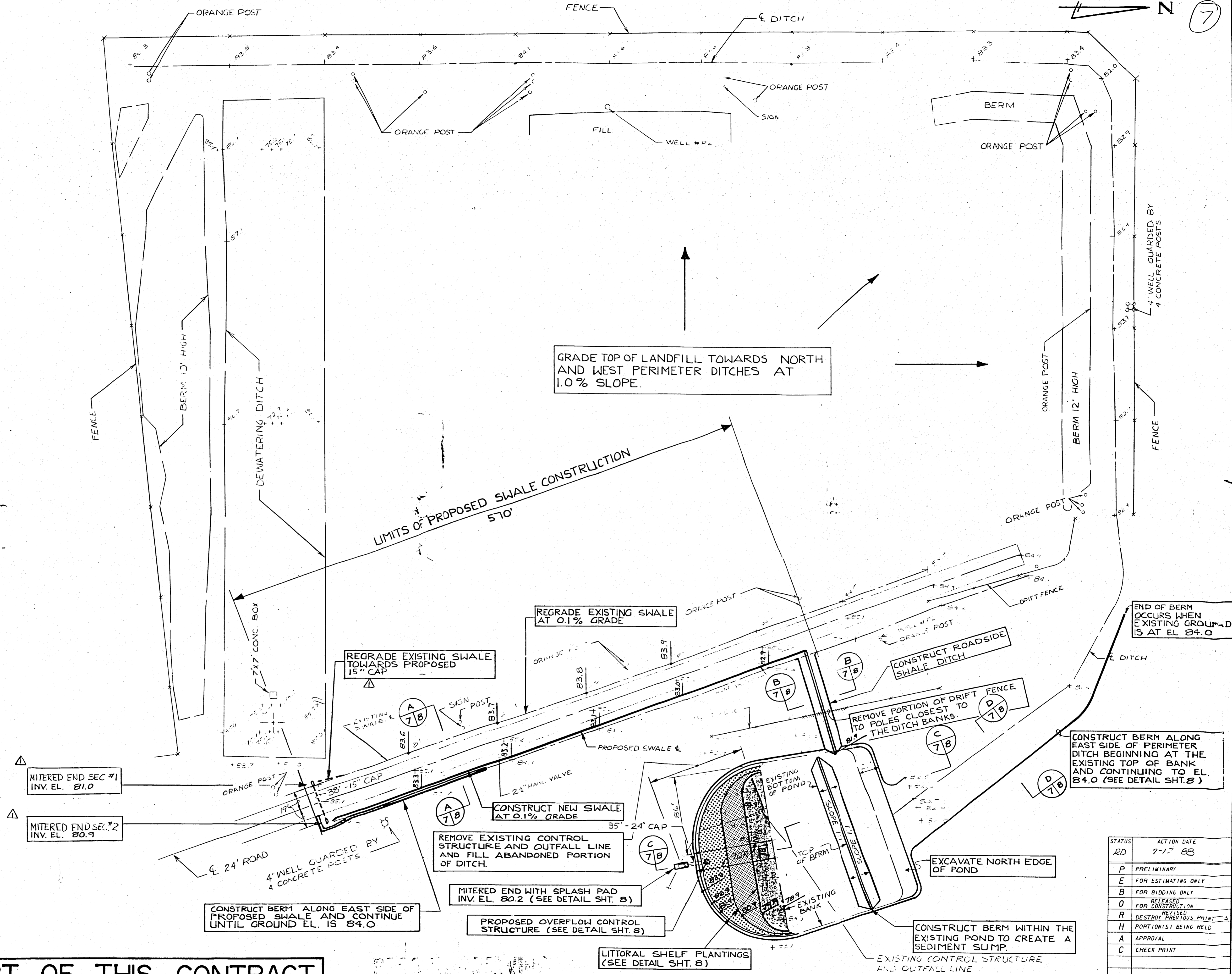
RECORD DRAWING

REV. NO.	DATE	REVISION	BY	CHECKED

Briley, Wild & Associates, Inc.
CONSULTING ENGINEERS AND PLANNERS
Ormond Beach - Clearwater - Bradenton - Orlando, Florida

HARDEE COUNTY SANITARY LANDFILL IMPROVEMENTS
ELECTRICAL & MISCELLANEOUS DETAILS
HARDEE COUNTY, FLORIDA

DATE: MARCH 1987	PROJ. NO. 86073-6
SCALE: NONE	FILE NO. 12368
SHEET NO. 6 OF 8	



LEGEND

- + EXISTING ELEVATION
- / PROPOSED ELEVATION
- [Pattern: Dotted] MAIDENCANE
- [Pattern: Horizontal Lines] PICKEREL WEED
- [Pattern: Vertical Lines] YELLOW POND LILY
- CAP CORRUGATED ALUMINUM PIPE

MITERED END SEC.#1
INV. EL. 81.0

MITERED END SEC.#2
INV. EL. 80.9

CONSTRUCT BERM ALONG EAST SIDE OF PROPOSED SWALE AND CONTINUE UNTIL GROUND EL. IS 84.0

MITERED END WITH SPLASH PAD
INV. EL. 80.2 (SEE DETAIL SHT. 8)

PROPOSED OVERFLOW CONTROL STRUCTURE (SEE DETAIL SHT. 8)

LITTORAL SHELF PLANTINGS (SEE DETAIL SHT. 8)

CONSTRUCT BERM WITHIN THE EXISTING POND TO CREATE A SEDIMENT SUMP.

EXISTING CONTROL STRUCTURE AND OUTFALL LINE

NOT PART OF THIS CONTRACT

DESIGNED	MTD	SUBMITTED BY: MTD
DRAWN	TDC	APPROVED BY: TDC
CHECKED	JWC	COPYRIGHT © 1987 ALL RIGHTS RESERVED Briley, Wild and Associates, Inc.

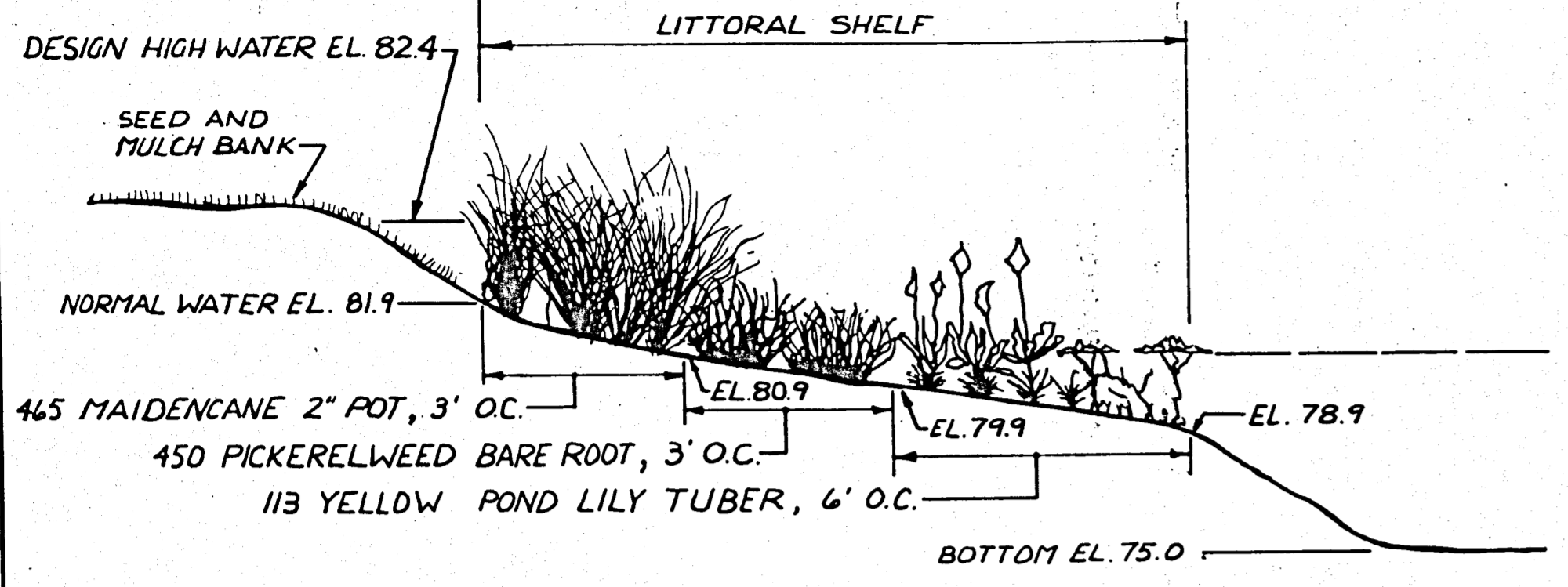
Briley, Wild & Associates, Inc.
CONSULTING ENGINEERS AND PLANNERS
Ormond Beach - Clearwater - Bradenton - Orlando, Florida

HARDEE COUNTY SANITARY LANDFILL IMPROVEMENTS
STORMWATER MANAGEMENT PLAN
HARDEE COUNTY, FLORIDA

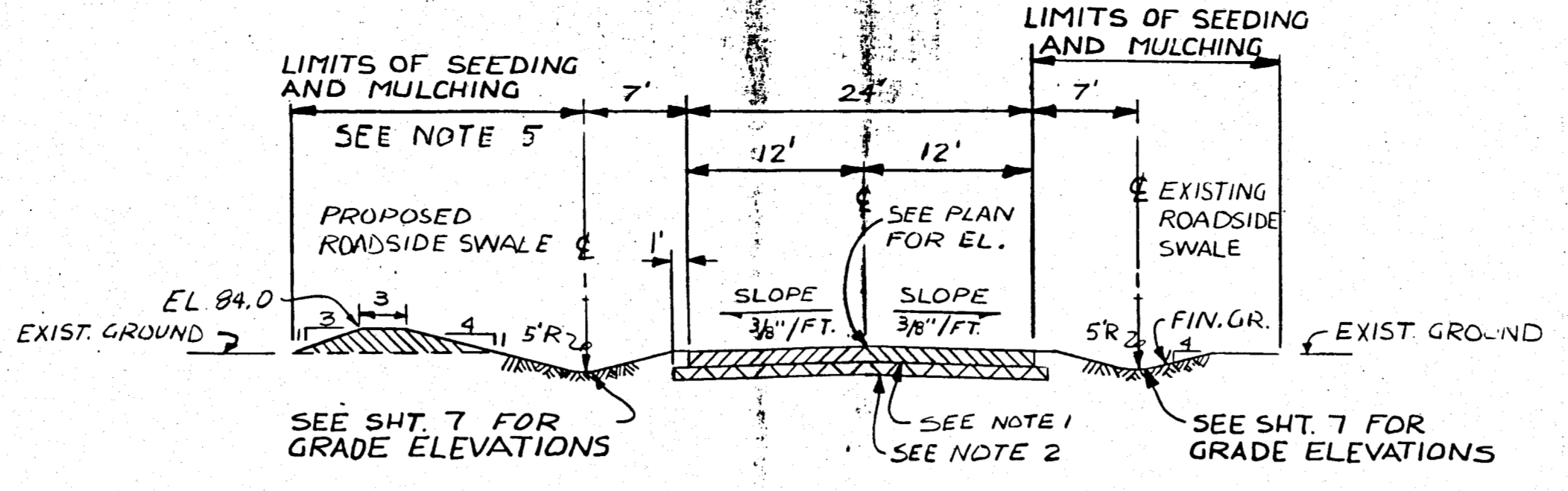
DATE: MARCH 1987	PROJ. NO. 86073-6
SCALE: 1"=50'	FILE NO. 12369
SHEET NO. 7 OF 8	

STATUS	ACTION DATE
RD	7-17-88
P	PRELIMINARY
E	FOR ESTIMATING ONLY
B	FOR BIDDING ONLY
O	FOR CONSTRUCTION
R	DESTROY PREVIOUS PRINTS
H	PORTION(S) BEING HELD
A	APPROVAL
C	CHECK PRINT
RD	RECORD DRAWING

D	X	A	B	C	E	F	G	M	N
24'	3'-5"	2.5'	6.18'	8.68'	6.0'	10.0'	1.73'	5.08'	1.04'

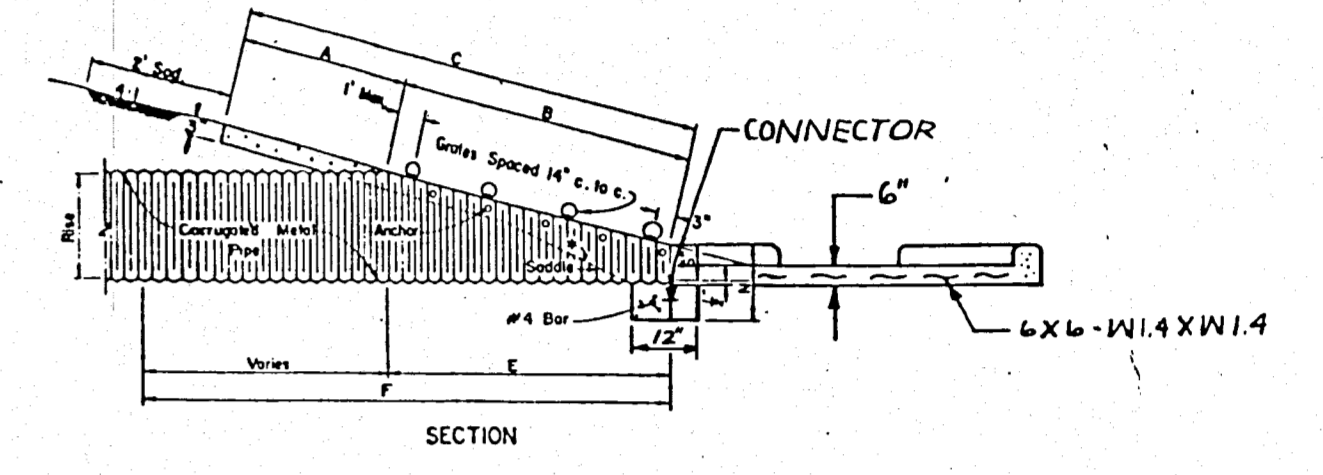
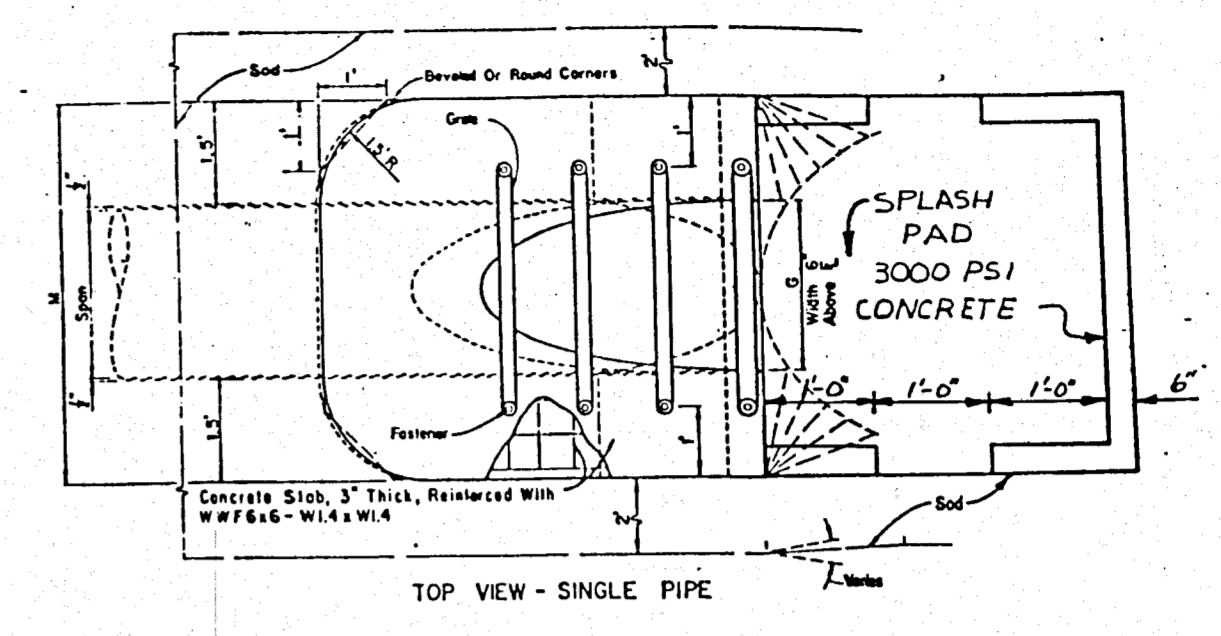


- CROSS SECTION -
LITTORAL SHELF PLANTINGS (7/8)
N.T.S.

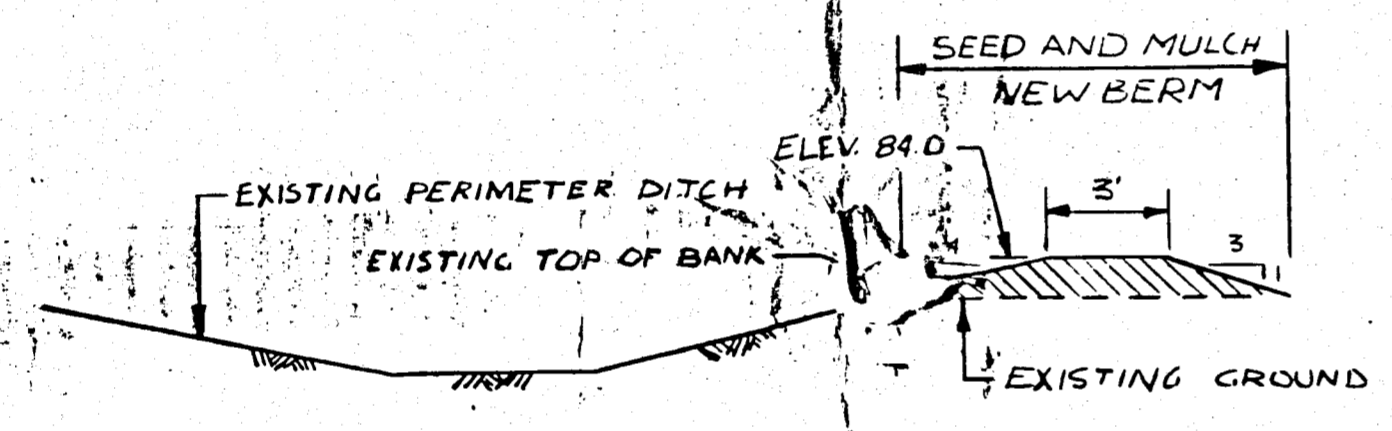


NOTE: ROADSIDE SWALES TO HAVE ROUNDED BOTTOMS AS SHOWN.
TYPICAL SERVICE ROAD SWALES AND ROAD REPLACEMENT (A/7B)
1"=10'

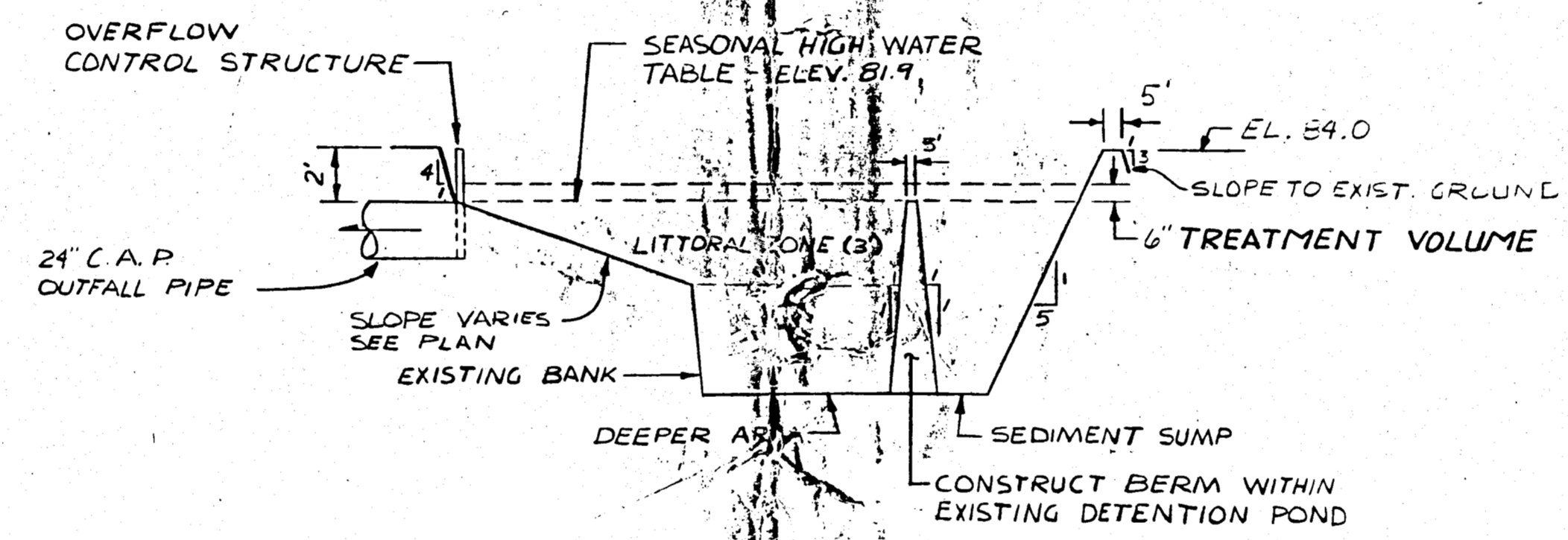
- NOTES:
- 1.) 8" SHELL ROCK OR LIME ROCK BASE (F.B.V. 100).
 - 2.) 8" STABILIZED SUB-BASE (95% AASHTO T-180) w/F.B.V. 60.
 - 3.) ROADSIDE SWALES SHALL BE CONSTRUCTED OR REGRADED WHERE SHOWN ON OVERALL SITE PLAN.
 - 4.) SLOPE AT 4:1 FROM SWALE CENTERLINE UP TO EXISTING GROUND AND CONSTRUCT BERM TO ELEV. 84.0 WHEN EXISTING GROUND IS LESS THAN ELEV. 84.0.
 - 5.) SEED AND MULCH 5' BEYOND THE EDGE OF SWALE OR TO THE EDGE OF THE NEW BERMS REQUIRED.



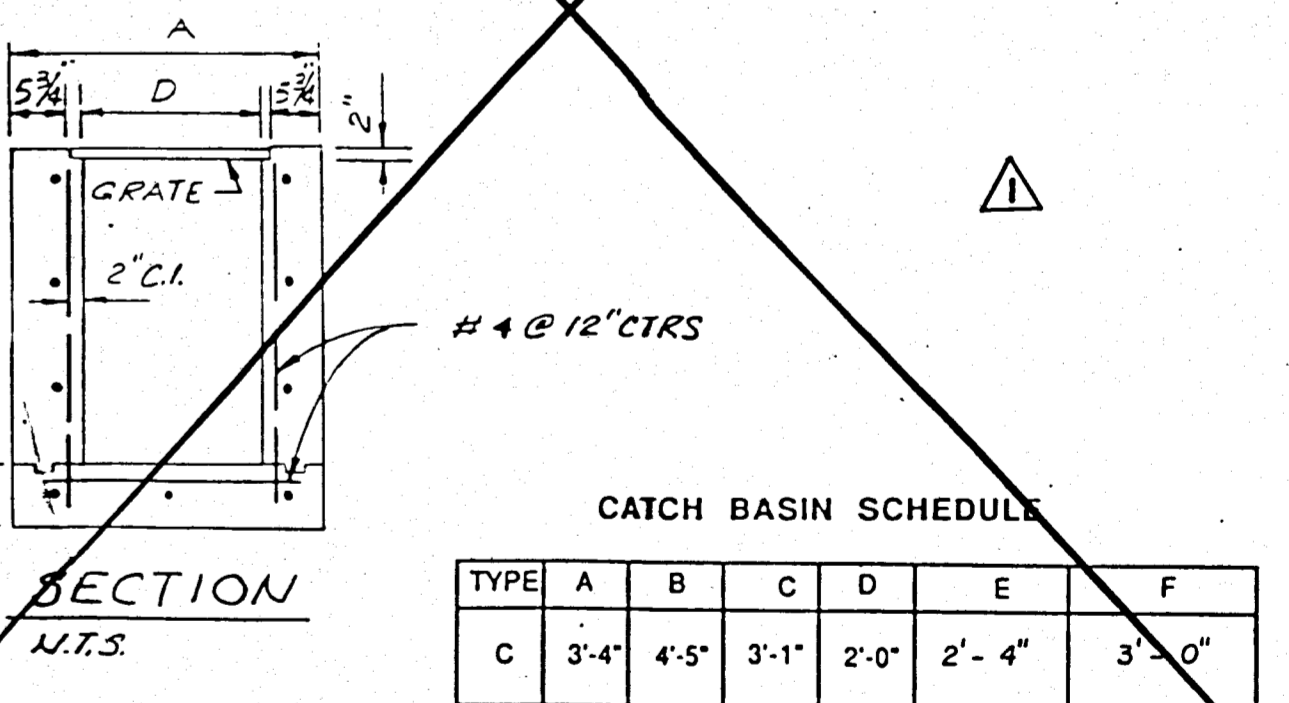
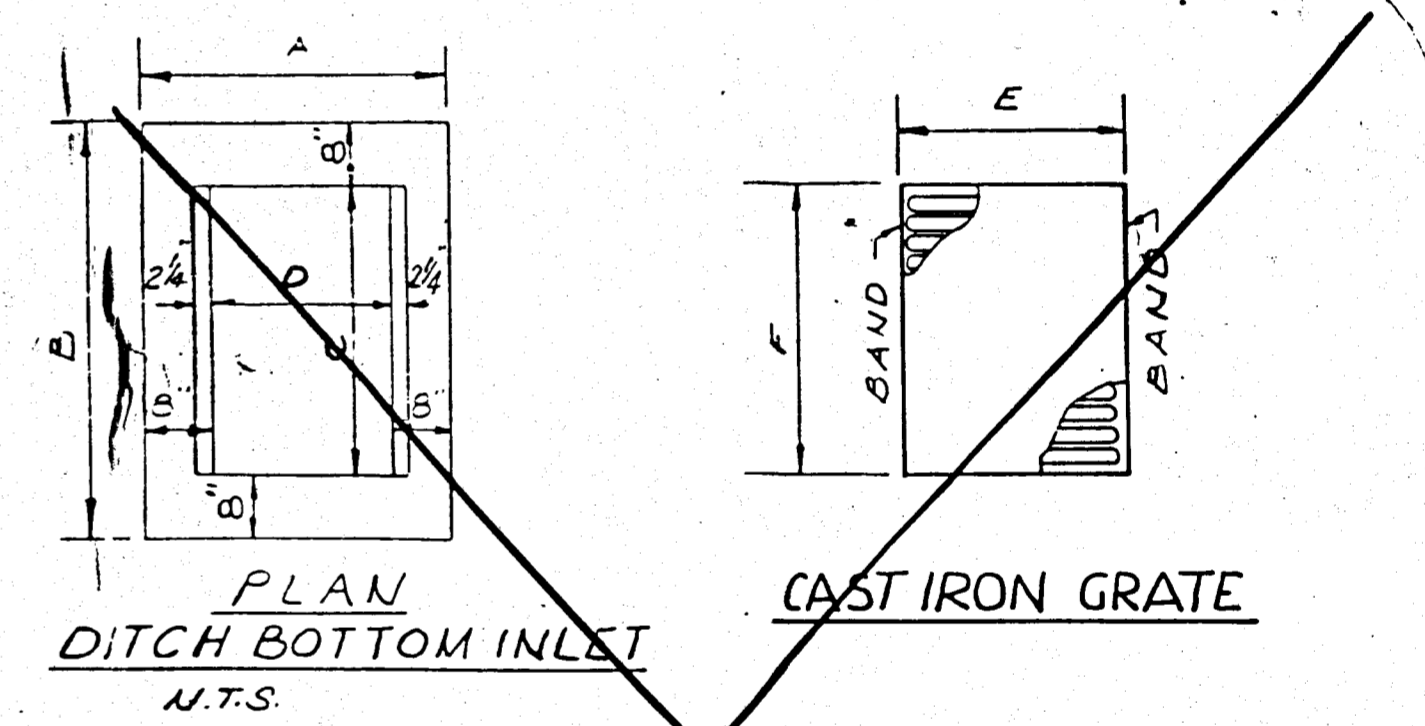
24" MITERED END SECTION W/ SPLASH PAD (7/8)
N.T.S.



PERIMETER DITCH BERM (D/7B)
1"=5'



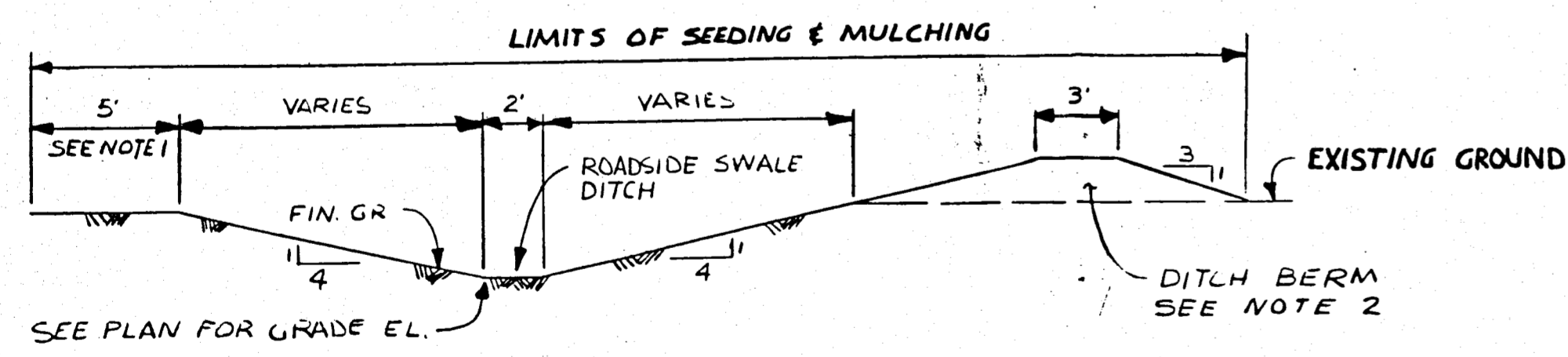
POND CROSS-SECTION (C/7B)
HORIZ. SC. 1"=50'
VERT. SC. 1"=5'



CATCH BASIN DETAILS (7/8)
N.T.S.

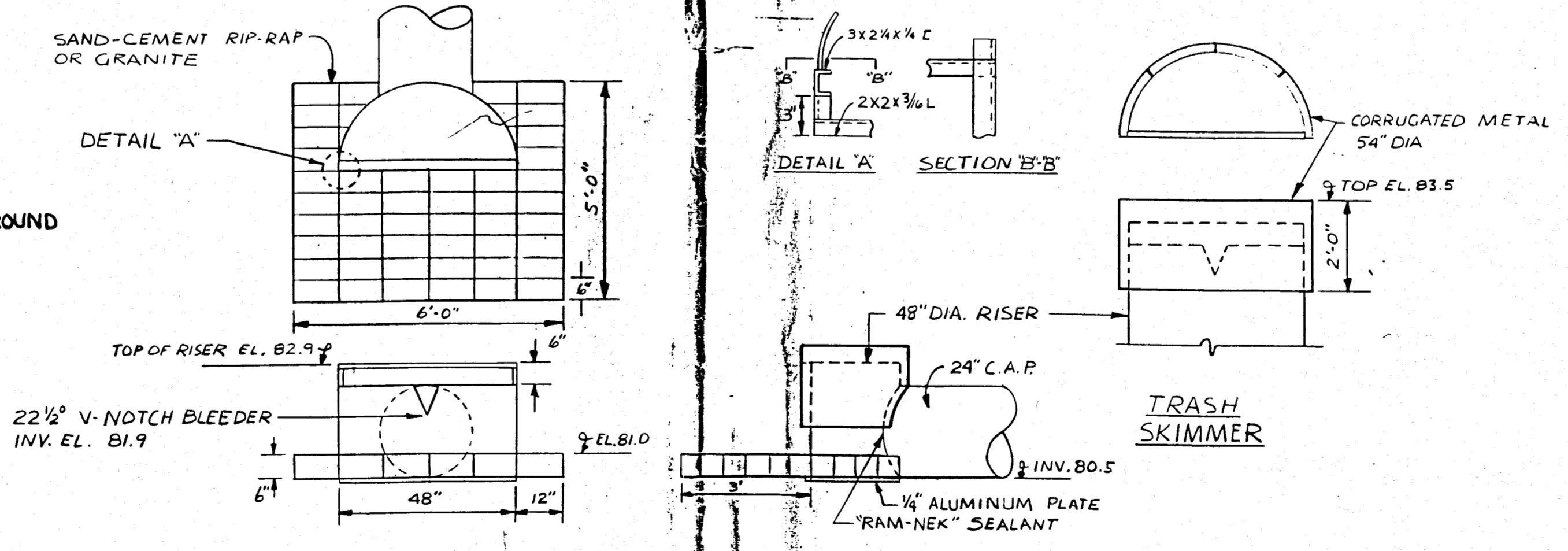
CATCH BASIN SCHEDULE

TYPE	A	B	C	D	E	F
C	3'-4"	4'-5"	3'-1"	2'-0"	2'-4"	3'-0"



ROADSIDE SWALE DITCH (B/7B)
1"=5'

- NOTES:
- 1.) FOR EXISTING GROUND ELEVATION 84.0 OR GREATER; SLOPE AT 4:1 TO EXISTING GROUND. SEED AND MULCH TO 5' BEYOND TOP OF BANK.
 - 2.) FOR EXISTING GROUND ELEVATION 84.0 OR LESS; SLOPE AT 4:1 TO ELEVATION 84.0 AND CONSTRUCT BERM. SEED AND MULCH TO EDGE OF BERM FARTHEST FROM TOP OF BANK.



OVERFLOW CONTROL STRUCTURE (7/8)
N.T.S.

RECORD DRAWING

NOT PART OF THIS CONTRACT

DESIGNED	MTD	SUBMITTED	WILEY, WILD & ASSOCIATES
DRAWN	TDC	APPROVED	<i>J.W. Lemmy</i>
CHECKED	JWC	COPYRIGHT	© 1987. ALL RIGHTS RESERVED
BY			WILEY, WILD & ASSOCIATES, INC.

Briley, Wild & Associates, Inc.
CONSULTING ENGINEERS AND PLANNERS
Ormond Beach - Clearwater - Bradenton - Orlando, Florida

HARDEE COUNTY SANITARY LANDFILL IMPROVEMENTS
STORMWATER MANAGEMENT PLAN DETAILS
HARDEE COUNTY, FLORIDA

DATE	MARCH 1987	PROJ. NO.	86073-6
SCALE	AS SHOWN	FILE NO.	12370
SHEET NO.	8 OF 8		

STATUS	ACTION DATE
RD	7-12-88
P	PRELIMINARY
E	FOR ESTIMATING ONLY
B	FOR BIDDING ONLY
O	FOR CONSTRUCTION
R	REVISOR'S NAME
H	PORTION(S) BEING HELD
A	APPROVAL
C	CHECK PRINT
RD	RECORD DRAWING

D.E.P.
JUN - 6 1997
HARDEE COUNTY
TAMPA