

**VISTA LANDFILL
 QUARTERLY LANDFILL GAS MONITORING AND ACTIVITIES REPORT
 4th QUARTER 2015**

SIGNIFICANT ACTIVITIES

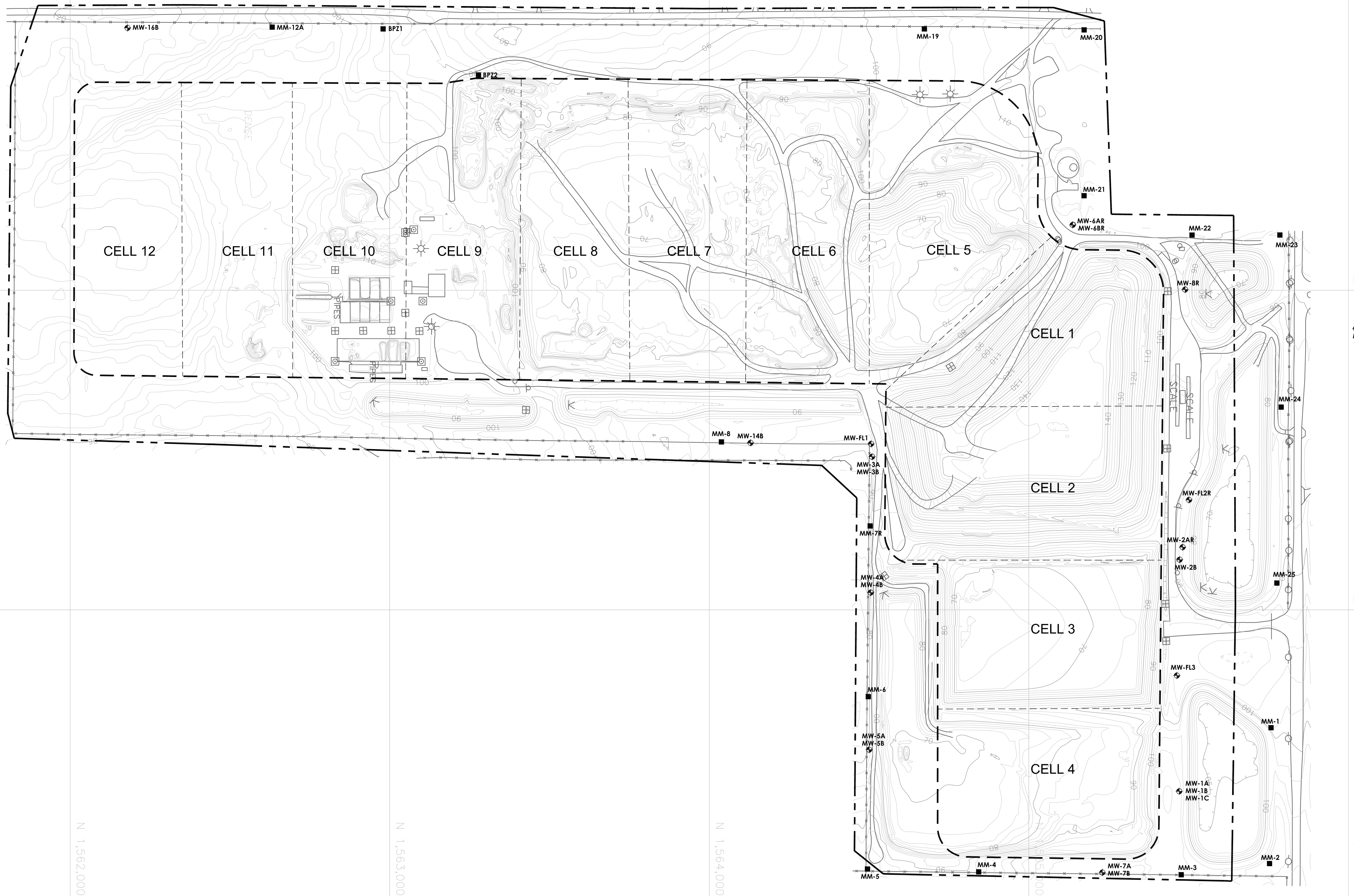
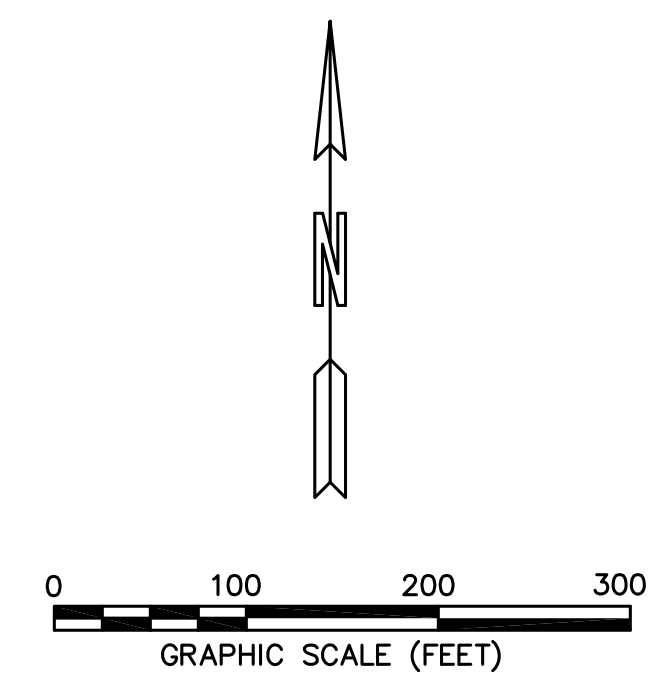
- Routine perimeter gas monitoring occurred on October 7, 2015.
- No objectionable odors or gas migration issues were noted.

GAS MONITORING RESULTS

Date Monitored: October 7, 2015
 Analyst: Jason Bever
 Gas Instrument Type: GEM 2000; Serial No: GM12782
 Calibration Acceptable: Yes; Span Gas 15% volume, response 15.0%, adjusted 15.0%
 Weather Conditions: 82°F, Clear Skies, Winds NE 5 Mph
 Barometric Pressure: 29.91" Hg
 Precipitation: None

MON. POINT	DATE/TIME	METHANE (% by Vol. air)	METHANE (% LEL)	COMMENTS
MM-01	10/7/2015 11:40	0.0	0.0	
MM-02	10/7/2015 11:45	0.0	0.0	
MM-03	10/7/2015 11:49	0.0	0.0	
MM-04	10/7/2015 11:56	0.0	0.0	
MM-05	10/7/2015 11:59	0.0	0.0	
MM-06	10/7/2015 12:03	0.0	0.0	
MM-07	10/7/2015 12:05	0.0	0.0	
MM-08	10/7/2015 12:19	0.0	0.0	
MM-19	10/7/2015 11:09	0.0	0.0	
MM-20	10/7/2015 11:20	0.0	0.0	
MM-21	10/7/2015 11:24	0.0	0.0	
MM-22	10/7/2015 11:26	0.0	0.0	
MM-23	10/7/2015 11:31	0.0	0.0	
MM-24	10/7/2015 11:34	0.0	0.0	
MM-25	10/7/2015 11:37	0.0	0.0	
Office	10/7/2015 14:57	0.0	0.0	
Scales	10/7/2015 14:52	0.0	0.0	

Comments: MM - are permanent probes.



LEGEND	
	PROPERTY BOUNDARY
	PERMITTED LIMITS OF WASTE
	10-FOOT CONTOUR LINE
	2-FOOT CONTOUR LINE
	CELL BOUNDARY
	METHANE MONITORING PROBE
	GROUNDWATER MONITORING WELL

NOTES
 1. AERIAL TOPOGRAPHY COMPILED BY PICKETT AND ASSOCIATES, INC. FROM AERIAL PHOTOGRAPH FLOWN ON JANUARY 14, 2013.

FOR INFORMATIONAL PURPOSES ONLY