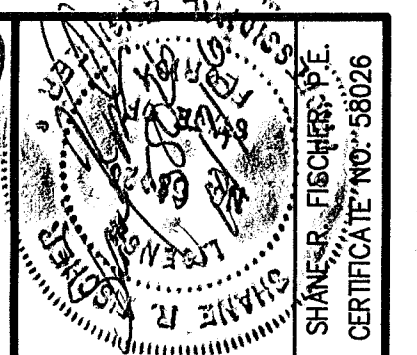
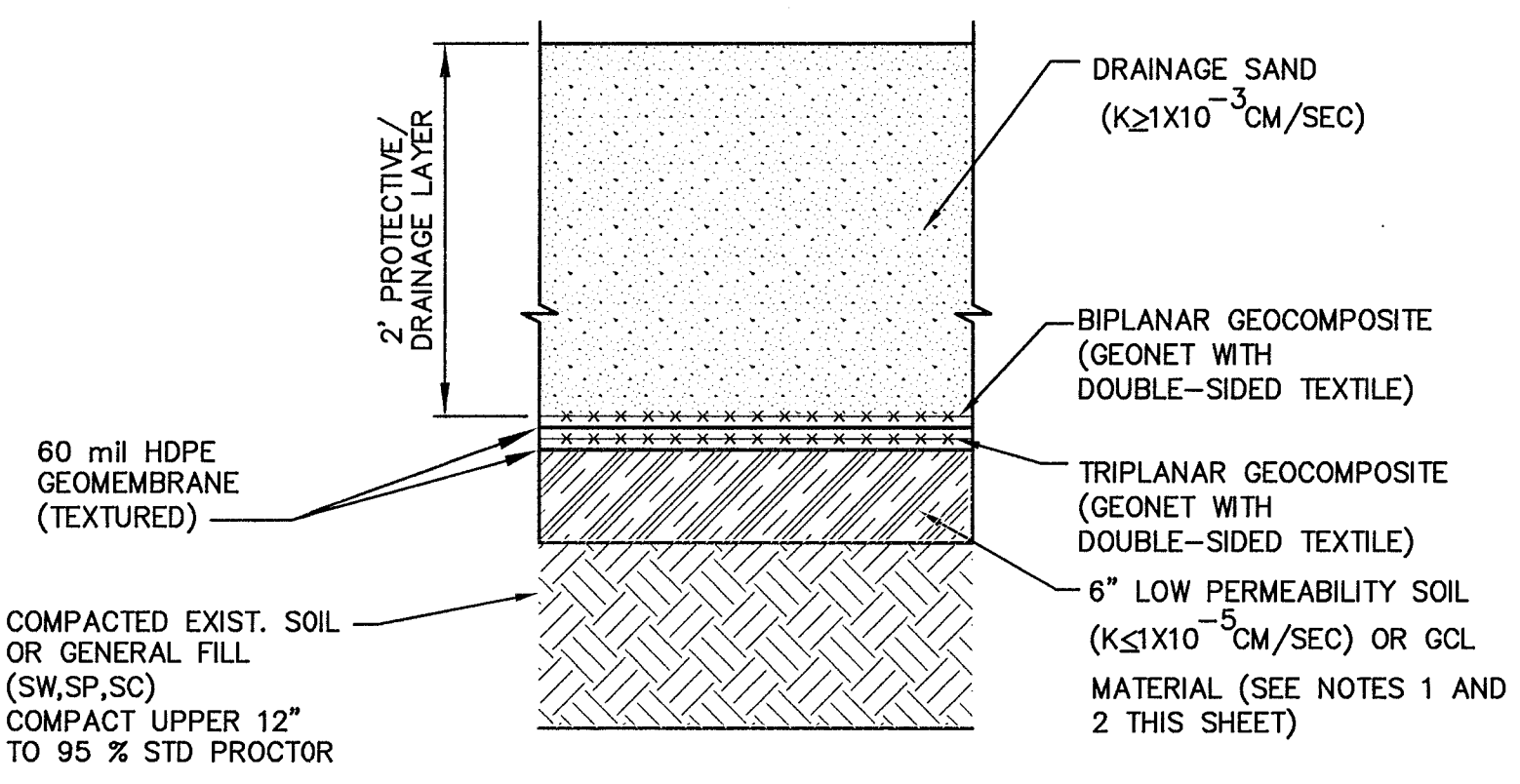


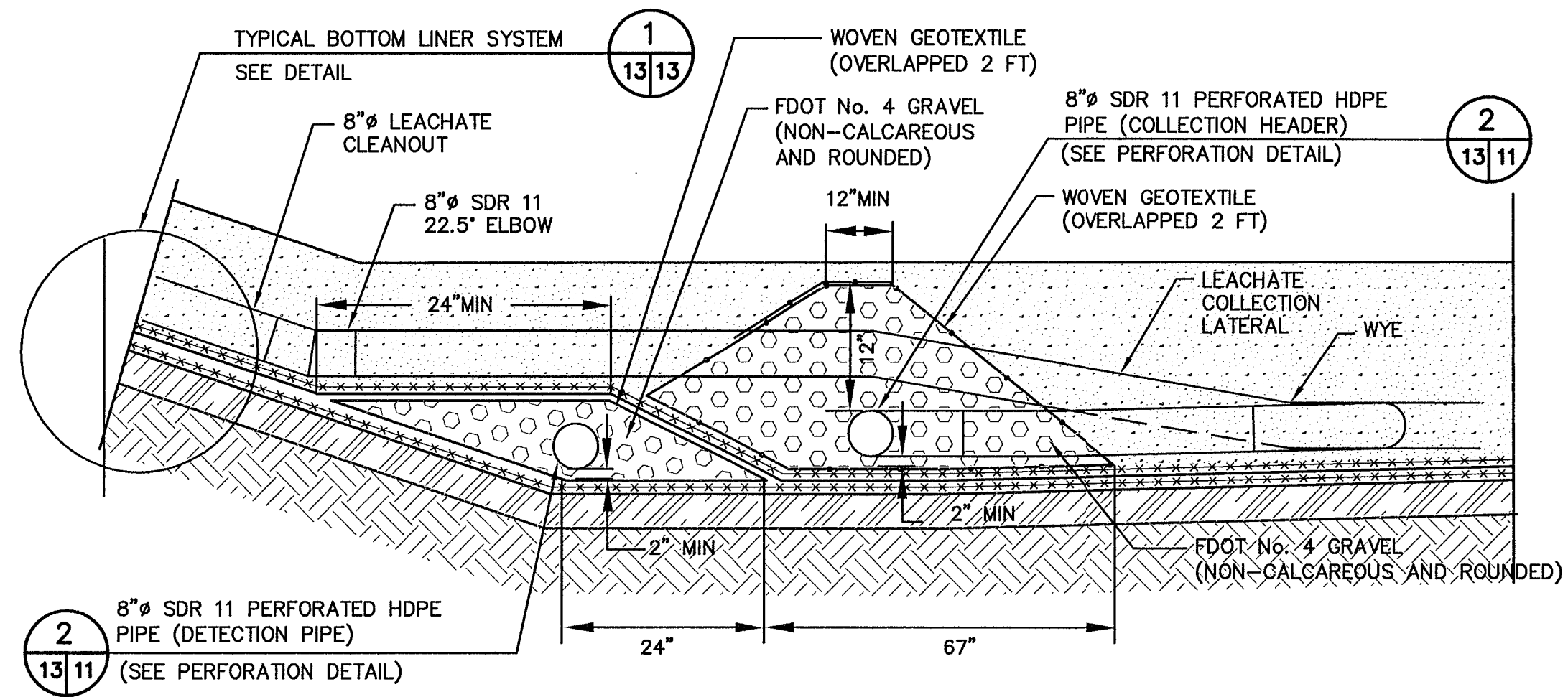
14303061



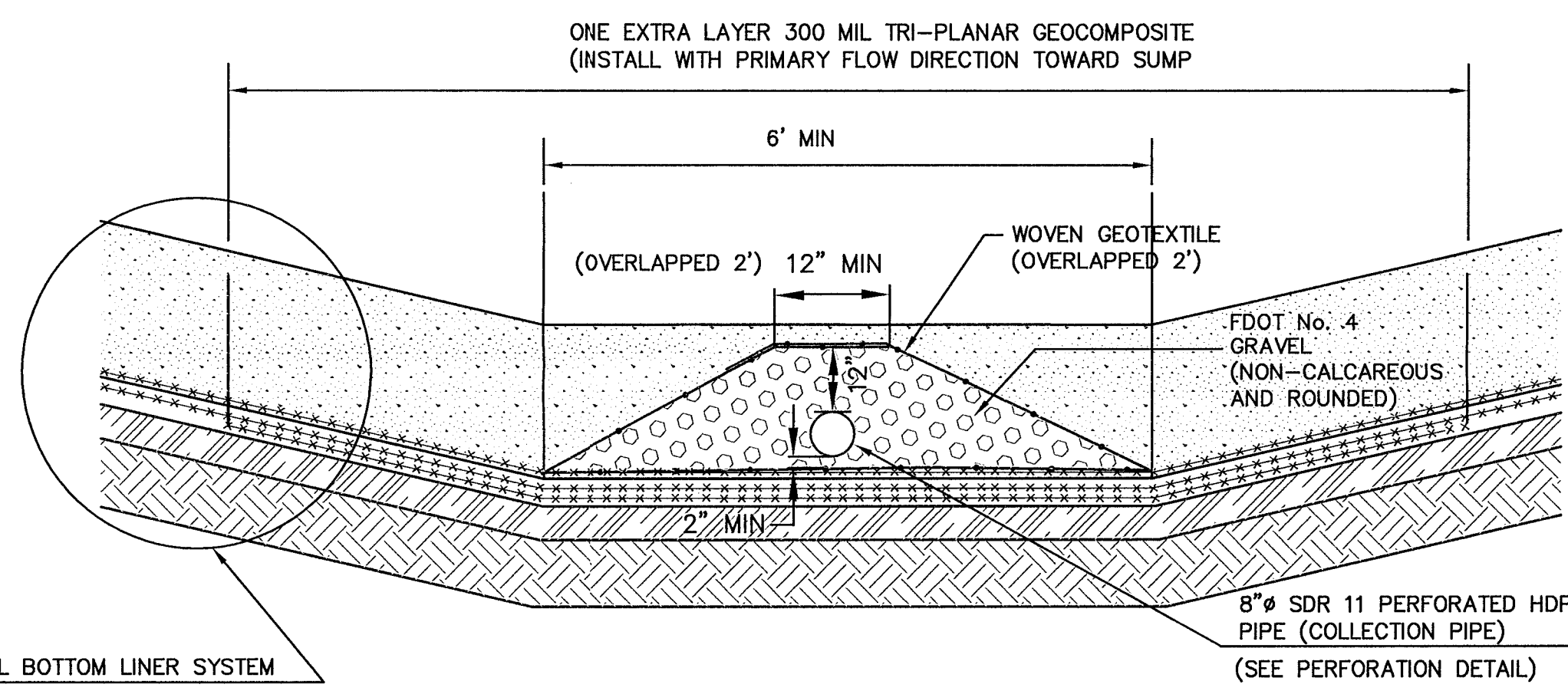
- NOTES:**
- CONTRACTOR WILL INSTALL ONE OF THE FOLLOWING MATERIALS ON TOP OF COMPACTED EXISTING SOIL/GENERAL FILL SUB-BASE:
 - 6-INCH LOW PERMEABILITY SOIL LAYER, OR
 - GEOSYNTHETIC CLAY LINER (GCL)
 - IF GCL IS INSTALLED BY THE CONTRACTOR (AS OPPOSED TO THE 6-INCH LOW PERMEABILITY SOIL LAYER) AFTER INSTALLATION OF COMPACTED EXISTING SOIL/GENERAL FILL SUB-BASE, GCL MATERIAL AND GEOMEMBRANE, THE ELEVATIONS AND GRADES OF THE TOP OF GEOMEMBRANE SHALL BE THE SAME AS THOSE SHOWN ON SHEET 7 OF 16.



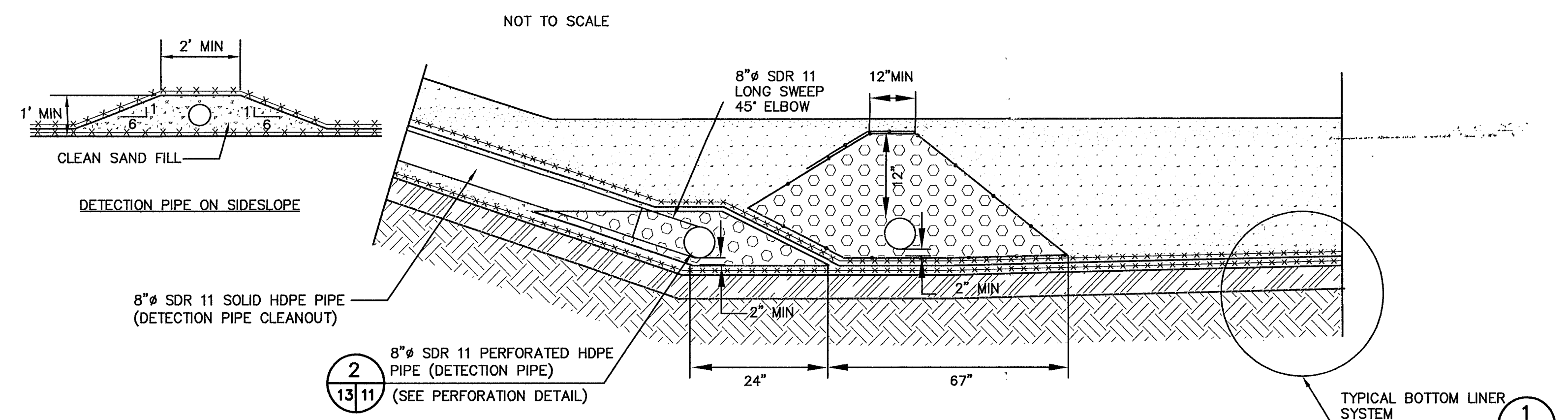
BOTTOM LINER SYSTEM DETAIL
NOT TO SCALE



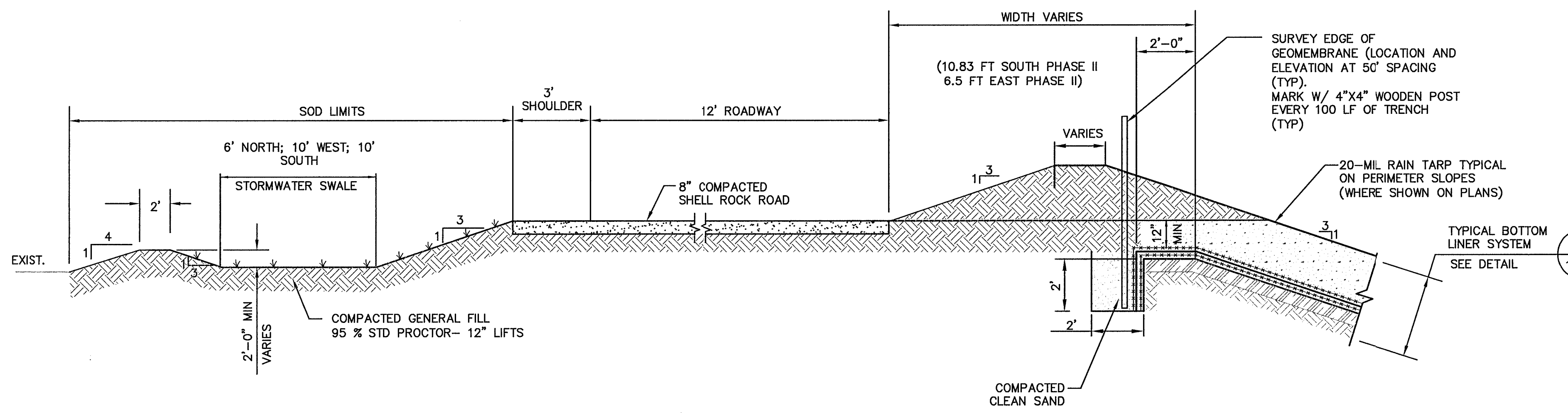
EAST SIDESLOPE COLLECTION/DETECTION TRENCH DETAIL WITH CLEANOUT



TYPICAL LEACHATE COLLECTION/DETECTION TRENCH DETAIL
NOT TO SCALE



EAST SIDESLOPE COLLECTION/DETECTION TRENCH DETAIL
NOT TO SCALE



TYPICAL LINER TERMINATION DETAIL
NOT TO SCALE

Dept. of Environmental Protection
OCT 03 2006
Southwest District

REV	DATE	DESCRIPTION
1	3/6/06	ISSUED FOR BIDS
2	8/9/06	CONFORMED DRAWINGS
3	10/3/06	MODIFIED TO USE GCL

DETAILS - 4
DRAWING TITLE
HARDEE COUNTY LANDFILL EXPANSION CONSTRUCTION DRAWINGS

CLIENT
HARDEE COUNTY BOARD OF COUNTY COMMISSIONERS

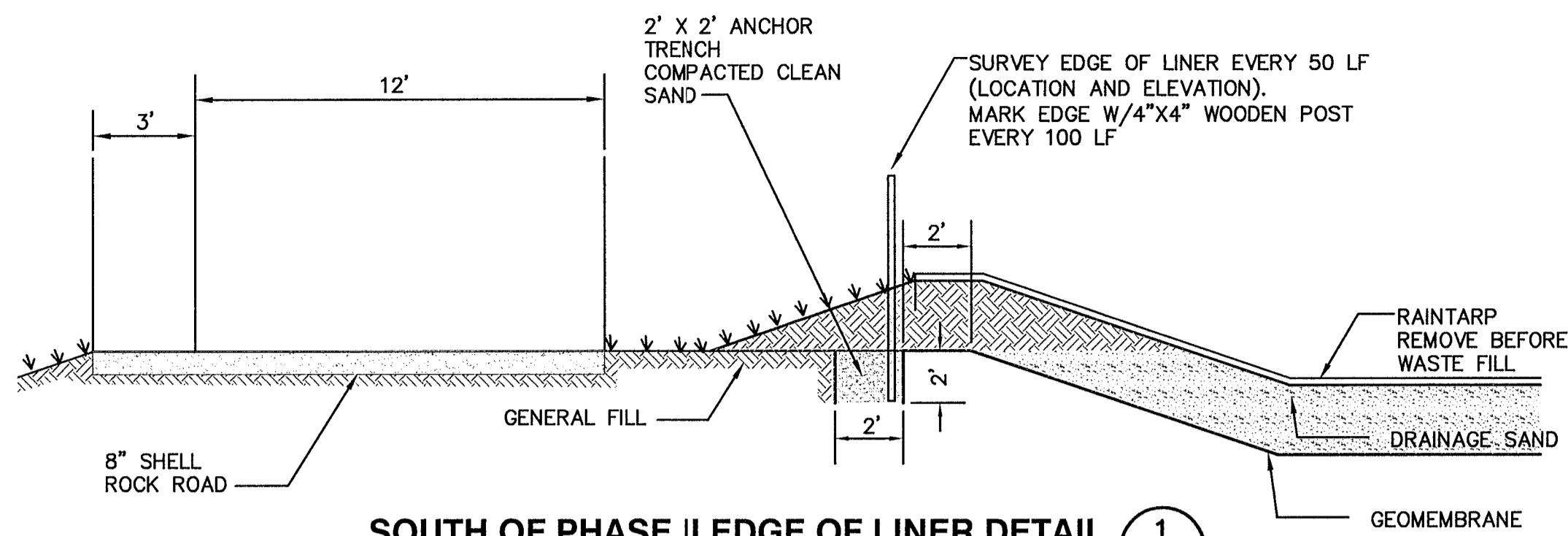
SCS ENGINEERS
STEARNS, CONRAD AND SCHMIDT CONSULTING ENGINEERS
3012 U.S. HWY. 90 NORTH, SUITE 700, TAMPA, FL 33619
PH (813) 821-0088 FAX NO. (813) 824-6757
FLORIDA CERTIFICATE OF AUTHORIZATION NO. 00004882
PROJ. NO. 09195033.16
DATE: 8/9/06
DRAWN BY: SRN/LEK
CHECKED BY: SRN/LEK
APP. BY: CCEH

CADD FILE:
93316DET15
DATE:
MARCH 2006
SCALE:
NOT TO SCALE
DRAWING NO.

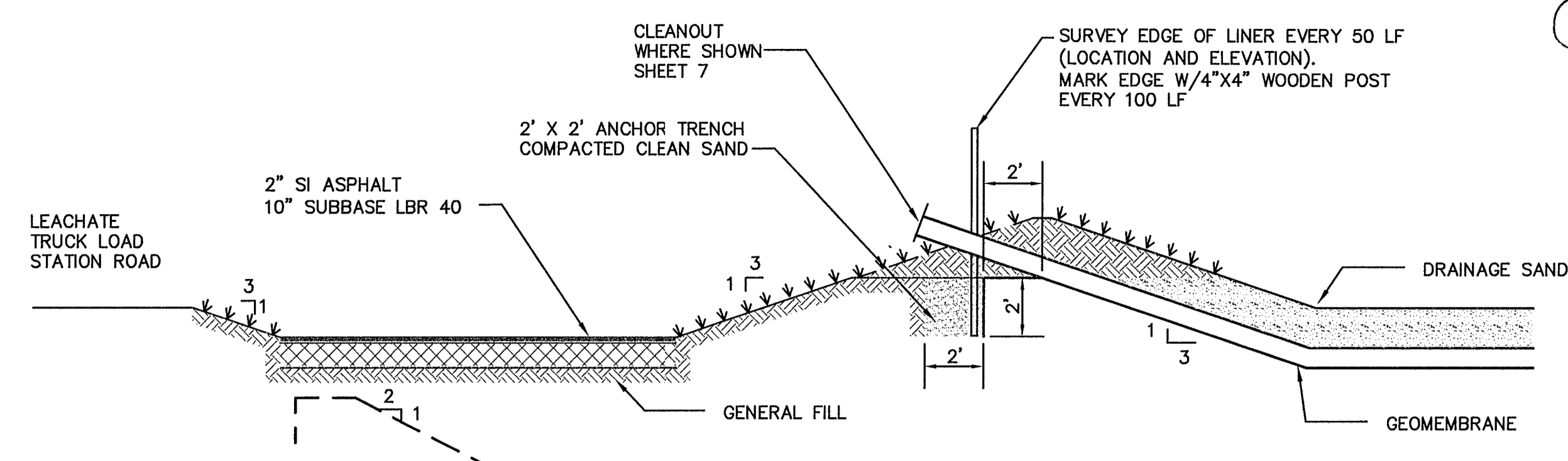
CONFORMED DRAWINGS
DATE: 8/9/2006

These drawings not approved of 8/2/06

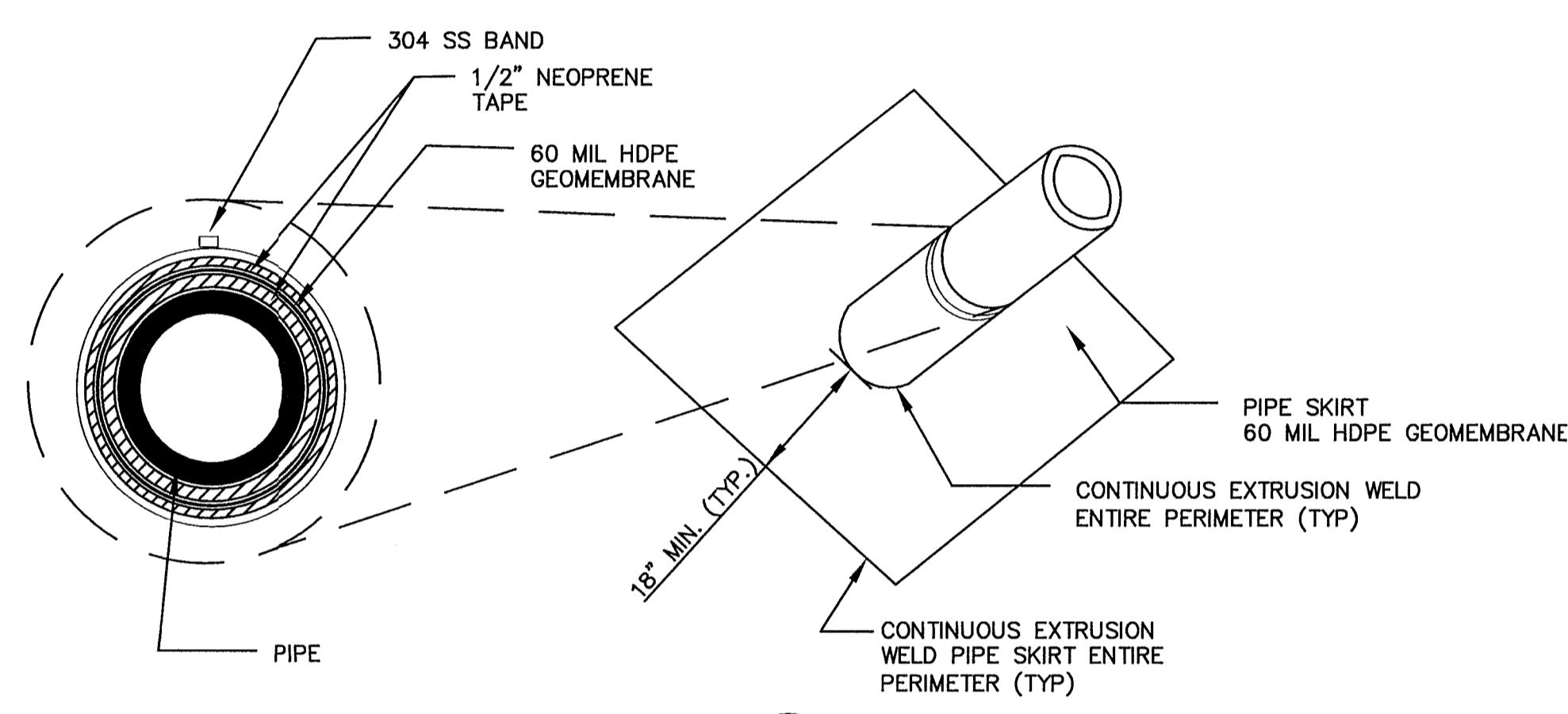
FILE



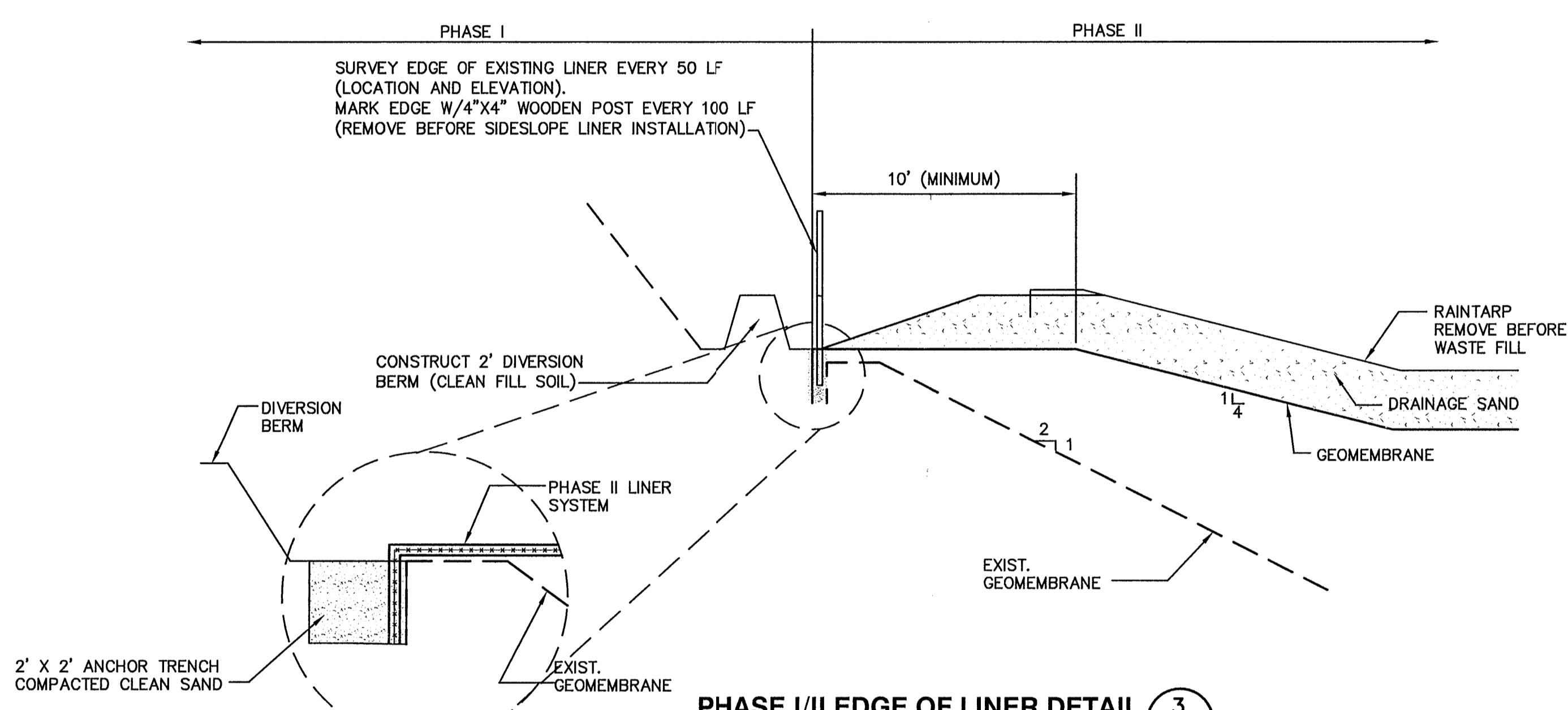
SOUTH OF PHASE II EDGE OF LINER DETAIL
 SCALE: H = 1" = 4"
 V = 1" = 4"
 7, 8



EAST EDGE OF LINER DETAIL
 SCALE: H = 1" = 4"
 V = 1" = 4"
 7, 8

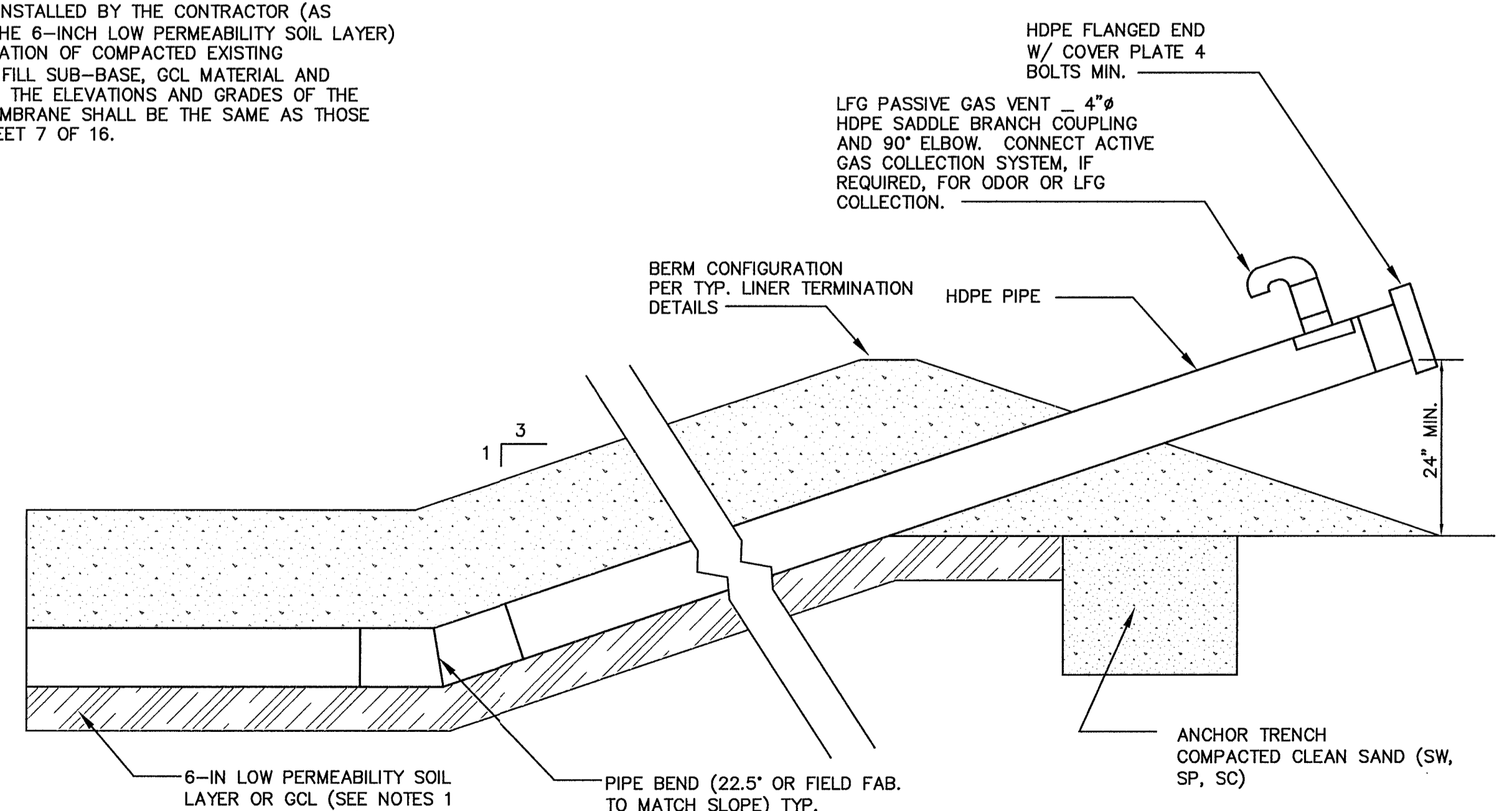


TYPICAL PIPE BOOT DETAIL
 NOT TO SCALE
 7, 10, 12

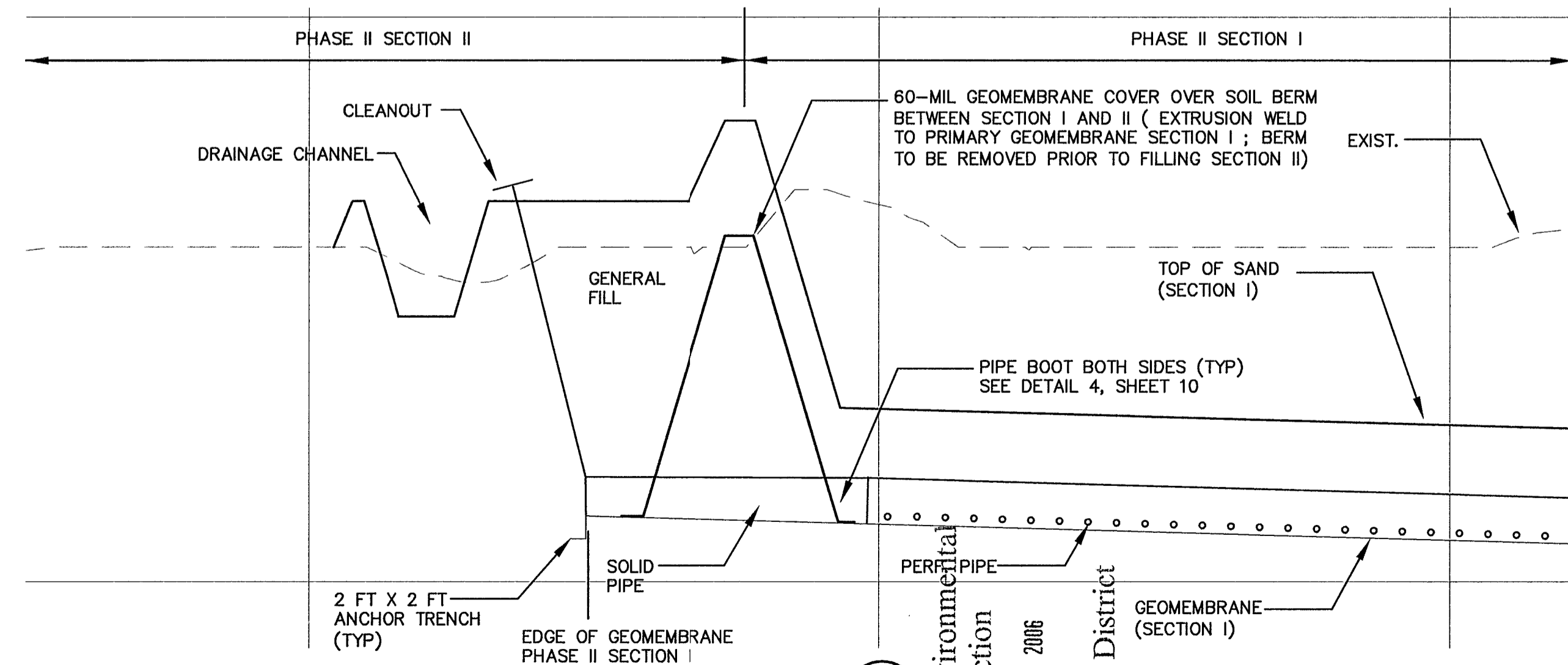


PHASE I/II EDGE OF LINER DETAIL
 SCALE: H = 1" = 4"
 V = 1" = 4"
 7, 8

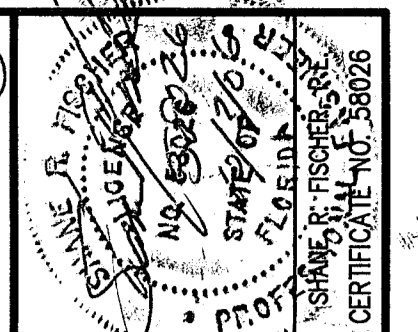
- NOTES:**
- CONTRACTOR WILL INSTALL ONE OF THE FOLLOWING MATERIALS ON TOP OF COMPACTED EXISTING SOIL/GENERAL FILL SUB-BASE:
 - 6-INCH LOW PERMEABILITY SOIL LAYER, OR
 - GEOSYNTHETIC CLAY LINER (GCL)
 - IF GCL IS INSTALLED BY THE CONTRACTOR (AS OPPOSED TO THE 6-INCH LOW PERMEABILITY SOIL LAYER) AFTER INSTALLATION OF COMPACTED EXISTING SOIL/GENERAL FILL SUB-BASE, GCL MATERIAL AND GEOMEMBRANE, THE ELEVATIONS AND GRADES OF THE TOP OF GEOMEMBRANE SHALL BE THE SAME AS THOSE SHOWN ON SHEET 7 OF 16.



TYPICAL LEACHATE CLEANOUT DETAIL
 NOT TO SCALE
 7, 10



SECTION A-A
 SCALE: NOT TO SCALE
 7, 11



REV	DATE	DESCRIPTION
1	3/6/06	ISSUED FOR BIDS
2	8/9/06	CONFORMED DRAWINGS
3	10/3/06	MODIFIED TO USE GCL

DETAILS-1
 DRAWING TITLE
HARDEE COUNTY
LANDFILL EXPANSION
CONSTRUCTION
DRAWINGS

CLIENT
HARDEE COUNTY
BOARD OF
COUNTY COMMISSIONERS

SCS ENGINEERS
 STEARNS, CONRAD AND SCHMIDT
 CONSULTING ENGINEERS
 3012 U.S. HWY. 301 NORTH, SUITE 700, TAMPA, FL 33619
 PH (813) 821-0080 FAX NO. (813) 822-8757
 FLORIDA CERTIFICATE OF AUTHORIZATION NO. 00004882
 PROJ. NO. 09193033.16
 DWN. BY: SDA/JHO
 CDR: SRR/LEK
 APPR. BY: CEH

CADD FILE:
 993316XSEC
 DATE:
 MARCH 2006
 SCALE:
 AS SHOWN
 DRAWING NO.

© 2006 SCS ENGINEERS, INC. ALL RIGHTS RESERVED. DATE: OCT. 03, 2006. 2:26pm. C:\proj\hardeecounty\landfill\drawings\10.dwg

