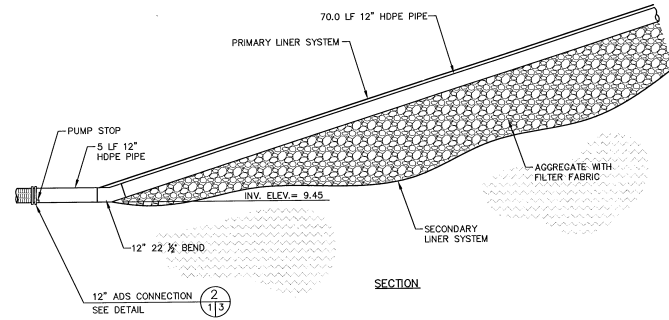
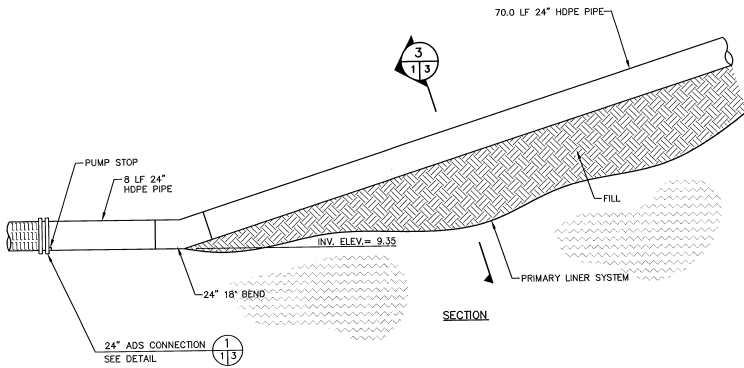


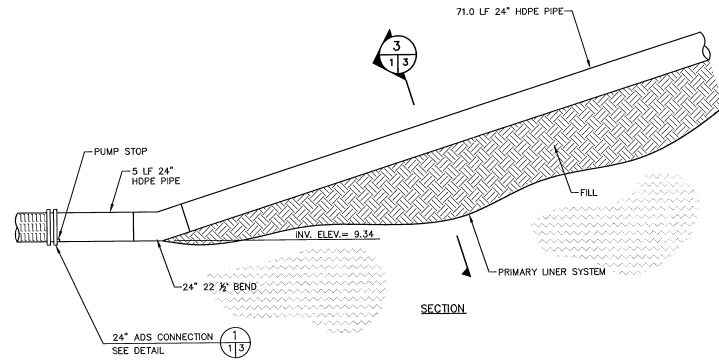
**SUMP NO. 1 (12" HDPE PIPE) DETAIL** 1/11-  
NOT TO SCALE



**SUMP NO. 4 (12" HDPE PIPE) DETAIL** 3/11-  
NOT TO SCALE



**SUMP NO. 1 (24" HDPE PIPE) DETAIL** 2/11-  
NOT TO SCALE



**SUMP NO. 4 (24" HDPE PIPE) DETAIL** 4/11-  
NOT TO SCALE

DESIGNATION LETTER INDICATES SECTION, NUMBER INDICATES DETAIL OR ELEVATION SHEET NUMBER WHERE SECTION IS TAKEN

INDICATES DIRECTION OF CUTTING PLANE

SHEET NUMBER WHERE SECTION IS SHOWN

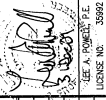
**SECTION AND DETAIL DESIGNATION**

**RECORD DRAWING NOTE**

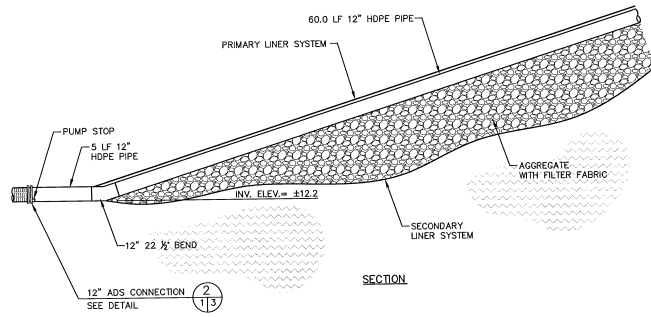
THIS RECORD DRAWING HAS BEEN PREPARED BASED ON INFORMATION PROVIDED BY CLIENT. THE ENGINEER HAS NOT VERIFIED THE ACCURACY OF THIS INFORMATION AND SHALL NOT BE RESPONSIBLE FOR ANY ERRORS OR OMISSIONS WHICH MAY BE INCORPORATED HEREIN AS A RESULT.

SCS ENGINEERS Date: 12/9/09

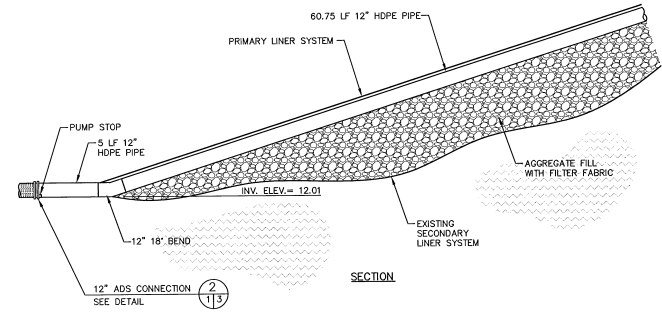
RECEIVED  
JAN 05 2010  
DEP Central Dist

	
BY	LAP
DESCRIPTION	RECORD DRAWING
REV	DATE
1	12/9/09
2	
3	
4	
<b>DRAWING TITLE</b> SUMP NO. 1 AND 4 DETAILS	
<b>PROJECT TITLE</b> TOMOKA FARMS ROAD LANDFILL NORTH CELL SUMP REPAIR RECORD DRAWINGS	
<b>CLIENT</b> VOLUSIA COUNTY DEPARTMENT OF PUBLIC WORKS SOLID WASTE DIVISION DELAND, FLORIDA	
<b>SCS ENGINEERS</b> SCHMIDT CONSULTING ENGINEERS 401 PARK CHASE BLVD., SUITE 104, TAMPA, FL 33610 813-973-0800 FAX 813-973-0801 PROJ. NO. 080702RD-DETL5 ISSUE NO. 01	
CADD FILE:	080702RD-DETL5
DATE:	DECEMBER 2009
SCALE:	AS SHOWN
DRAWING NO.	1 of 3

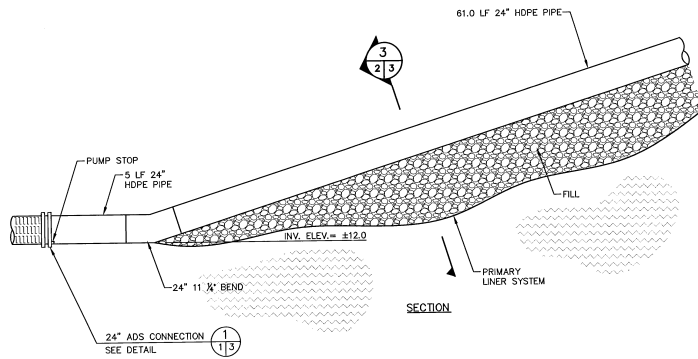
ATTACHMENT 1



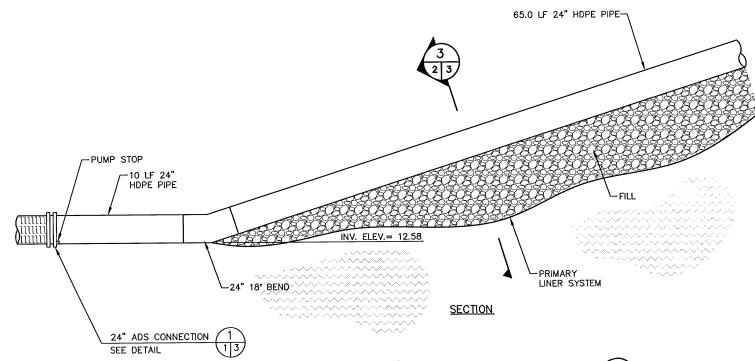
**SUMP NO. 5 (12" HDPE PIPE) DETAIL** (1/2)  
NOT TO SCALE



**SUMP NO. 6 (12" HDPE PIPE) DETAIL** (2/13)  
NOT TO SCALE



**SUMP NO. 5 (24" HDPE PIPE) DETAIL** (2/21)  
NOT TO SCALE



**SUMP NO. 6 (24" HDPE PIPE) DETAIL** (4/21)  
NOT TO SCALE

**RECORD DRAWING NOTE**  
THIS RECORD DRAWING HAS BEEN PREPARED BASED ON INFORMATION PROVIDED BY OTHERS. THE ENGINEER HAS NOT VERIFIED THE ACCURACY OF THIS INFORMATION AND SHALL NOT BE RESPONSIBLE FOR ANY ERRORS OR OMISSIONS WHICH MAY BE INCORPORATED HEREIN AS A RESULT.  
SCS ENGINEERS Date: 12/9/09

**RECORD DRAWING**  
DATE: 12/9/09

BY: LJP	DESCRIPTION: RECORD DRAWING	DATE: 12/9/09	REV: 1
BY: LJP	DESCRIPTION: RECORD DRAWING	DATE: 12/9/09	REV: 2
BY: LJP	DESCRIPTION: RECORD DRAWING	DATE: 12/9/09	REV: 3
BY: LJP	DESCRIPTION: RECORD DRAWING	DATE: 12/9/09	REV: 4
BY: LJP	DESCRIPTION: RECORD DRAWING	DATE: 12/9/09	REV: 5
BY: LJP	DESCRIPTION: RECORD DRAWING	DATE: 12/9/09	REV: 6
BY: LJP	DESCRIPTION: RECORD DRAWING	DATE: 12/9/09	REV: 7
BY: LJP	DESCRIPTION: RECORD DRAWING	DATE: 12/9/09	REV: 8
BY: LJP	DESCRIPTION: RECORD DRAWING	DATE: 12/9/09	REV: 9
BY: LJP	DESCRIPTION: RECORD DRAWING	DATE: 12/9/09	REV: 10
BY: LJP	DESCRIPTION: RECORD DRAWING	DATE: 12/9/09	REV: 11
BY: LJP	DESCRIPTION: RECORD DRAWING	DATE: 12/9/09	REV: 12
BY: LJP	DESCRIPTION: RECORD DRAWING	DATE: 12/9/09	REV: 13
BY: LJP	DESCRIPTION: RECORD DRAWING	DATE: 12/9/09	REV: 14
BY: LJP	DESCRIPTION: RECORD DRAWING	DATE: 12/9/09	REV: 15
BY: LJP	DESCRIPTION: RECORD DRAWING	DATE: 12/9/09	REV: 16
BY: LJP	DESCRIPTION: RECORD DRAWING	DATE: 12/9/09	REV: 17
BY: LJP	DESCRIPTION: RECORD DRAWING	DATE: 12/9/09	REV: 18
BY: LJP	DESCRIPTION: RECORD DRAWING	DATE: 12/9/09	REV: 19
BY: LJP	DESCRIPTION: RECORD DRAWING	DATE: 12/9/09	REV: 20
BY: LJP	DESCRIPTION: RECORD DRAWING	DATE: 12/9/09	REV: 21
BY: LJP	DESCRIPTION: RECORD DRAWING	DATE: 12/9/09	REV: 22
BY: LJP	DESCRIPTION: RECORD DRAWING	DATE: 12/9/09	REV: 23
BY: LJP	DESCRIPTION: RECORD DRAWING	DATE: 12/9/09	REV: 24
BY: LJP	DESCRIPTION: RECORD DRAWING	DATE: 12/9/09	REV: 25
BY: LJP	DESCRIPTION: RECORD DRAWING	DATE: 12/9/09	REV: 26
BY: LJP	DESCRIPTION: RECORD DRAWING	DATE: 12/9/09	REV: 27
BY: LJP	DESCRIPTION: RECORD DRAWING	DATE: 12/9/09	REV: 28
BY: LJP	DESCRIPTION: RECORD DRAWING	DATE: 12/9/09	REV: 29
BY: LJP	DESCRIPTION: RECORD DRAWING	DATE: 12/9/09	REV: 30
BY: LJP	DESCRIPTION: RECORD DRAWING	DATE: 12/9/09	REV: 31
BY: LJP	DESCRIPTION: RECORD DRAWING	DATE: 12/9/09	REV: 32
BY: LJP	DESCRIPTION: RECORD DRAWING	DATE: 12/9/09	REV: 33
BY: LJP	DESCRIPTION: RECORD DRAWING	DATE: 12/9/09	REV: 34
BY: LJP	DESCRIPTION: RECORD DRAWING	DATE: 12/9/09	REV: 35
BY: LJP	DESCRIPTION: RECORD DRAWING	DATE: 12/9/09	REV: 36
BY: LJP	DESCRIPTION: RECORD DRAWING	DATE: 12/9/09	REV: 37
BY: LJP	DESCRIPTION: RECORD DRAWING	DATE: 12/9/09	REV: 38
BY: LJP	DESCRIPTION: RECORD DRAWING	DATE: 12/9/09	REV: 39
BY: LJP	DESCRIPTION: RECORD DRAWING	DATE: 12/9/09	REV: 40
BY: LJP	DESCRIPTION: RECORD DRAWING	DATE: 12/9/09	REV: 41
BY: LJP	DESCRIPTION: RECORD DRAWING	DATE: 12/9/09	REV: 42
BY: LJP	DESCRIPTION: RECORD DRAWING	DATE: 12/9/09	REV: 43
BY: LJP	DESCRIPTION: RECORD DRAWING	DATE: 12/9/09	REV: 44
BY: LJP	DESCRIPTION: RECORD DRAWING	DATE: 12/9/09	REV: 45
BY: LJP	DESCRIPTION: RECORD DRAWING	DATE: 12/9/09	REV: 46
BY: LJP	DESCRIPTION: RECORD DRAWING	DATE: 12/9/09	REV: 47
BY: LJP	DESCRIPTION: RECORD DRAWING	DATE: 12/9/09	REV: 48
BY: LJP	DESCRIPTION: RECORD DRAWING	DATE: 12/9/09	REV: 49
BY: LJP	DESCRIPTION: RECORD DRAWING	DATE: 12/9/09	REV: 50
BY: LJP	DESCRIPTION: RECORD DRAWING	DATE: 12/9/09	REV: 51
BY: LJP	DESCRIPTION: RECORD DRAWING	DATE: 12/9/09	REV: 52
BY: LJP	DESCRIPTION: RECORD DRAWING	DATE: 12/9/09	REV: 53
BY: LJP	DESCRIPTION: RECORD DRAWING	DATE: 12/9/09	REV: 54
BY: LJP	DESCRIPTION: RECORD DRAWING	DATE: 12/9/09	REV: 55
BY: LJP	DESCRIPTION: RECORD DRAWING	DATE: 12/9/09	REV: 56
BY: LJP	DESCRIPTION: RECORD DRAWING	DATE: 12/9/09	REV: 57
BY: LJP	DESCRIPTION: RECORD DRAWING	DATE: 12/9/09	REV: 58
BY: LJP	DESCRIPTION: RECORD DRAWING	DATE: 12/9/09	REV: 59
BY: LJP	DESCRIPTION: RECORD DRAWING	DATE: 12/9/09	REV: 60
BY: LJP	DESCRIPTION: RECORD DRAWING	DATE: 12/9/09	REV: 61
BY: LJP	DESCRIPTION: RECORD DRAWING	DATE: 12/9/09	REV: 62
BY: LJP	DESCRIPTION: RECORD DRAWING	DATE: 12/9/09	REV: 63
BY: LJP	DESCRIPTION: RECORD DRAWING	DATE: 12/9/09	REV: 64
BY: LJP	DESCRIPTION: RECORD DRAWING	DATE: 12/9/09	REV: 65
BY: LJP	DESCRIPTION: RECORD DRAWING	DATE: 12/9/09	REV: 66
BY: LJP	DESCRIPTION: RECORD DRAWING	DATE: 12/9/09	REV: 67
BY: LJP	DESCRIPTION: RECORD DRAWING	DATE: 12/9/09	REV: 68
BY: LJP	DESCRIPTION: RECORD DRAWING	DATE: 12/9/09	REV: 69
BY: LJP	DESCRIPTION: RECORD DRAWING	DATE: 12/9/09	REV: 70
BY: LJP	DESCRIPTION: RECORD DRAWING	DATE: 12/9/09	REV: 71
BY: LJP	DESCRIPTION: RECORD DRAWING	DATE: 12/9/09	REV: 72
BY: LJP	DESCRIPTION: RECORD DRAWING	DATE: 12/9/09	REV: 73
BY: LJP	DESCRIPTION: RECORD DRAWING	DATE: 12/9/09	REV: 74
BY: LJP	DESCRIPTION: RECORD DRAWING	DATE: 12/9/09	REV: 75
BY: LJP	DESCRIPTION: RECORD DRAWING	DATE: 12/9/09	REV: 76
BY: LJP	DESCRIPTION: RECORD DRAWING	DATE: 12/9/09	REV: 77
BY: LJP	DESCRIPTION: RECORD DRAWING	DATE: 12/9/09	REV: 78
BY: LJP	DESCRIPTION: RECORD DRAWING	DATE: 12/9/09	REV: 79
BY: LJP	DESCRIPTION: RECORD DRAWING	DATE: 12/9/09	REV: 80
BY: LJP	DESCRIPTION: RECORD DRAWING	DATE: 12/9/09	REV: 81
BY: LJP	DESCRIPTION: RECORD DRAWING	DATE: 12/9/09	REV: 82
BY: LJP	DESCRIPTION: RECORD DRAWING	DATE: 12/9/09	REV: 83
BY: LJP	DESCRIPTION: RECORD DRAWING	DATE: 12/9/09	REV: 84
BY: LJP	DESCRIPTION: RECORD DRAWING	DATE: 12/9/09	REV: 85
BY: LJP	DESCRIPTION: RECORD DRAWING	DATE: 12/9/09	REV: 86
BY: LJP	DESCRIPTION: RECORD DRAWING	DATE: 12/9/09	REV: 87
BY: LJP	DESCRIPTION: RECORD DRAWING	DATE: 12/9/09	REV: 88
BY: LJP	DESCRIPTION: RECORD DRAWING	DATE: 12/9/09	REV: 89
BY: LJP	DESCRIPTION: RECORD DRAWING	DATE: 12/9/09	REV: 90
BY: LJP	DESCRIPTION: RECORD DRAWING	DATE: 12/9/09	REV: 91
BY: LJP	DESCRIPTION: RECORD DRAWING	DATE: 12/9/09	REV: 92
BY: LJP	DESCRIPTION: RECORD DRAWING	DATE: 12/9/09	REV: 93
BY: LJP	DESCRIPTION: RECORD DRAWING	DATE: 12/9/09	REV: 94
BY: LJP	DESCRIPTION: RECORD DRAWING	DATE: 12/9/09	REV: 95
BY: LJP	DESCRIPTION: RECORD DRAWING	DATE: 12/9/09	REV: 96
BY: LJP	DESCRIPTION: RECORD DRAWING	DATE: 12/9/09	REV: 97
BY: LJP	DESCRIPTION: RECORD DRAWING	DATE: 12/9/09	REV: 98
BY: LJP	DESCRIPTION: RECORD DRAWING	DATE: 12/9/09	REV: 99
BY: LJP	DESCRIPTION: RECORD DRAWING	DATE: 12/9/09	REV: 100

**SUMP NO. 5 AND 6 DETAILS**  
PROJECT TITLE: TOMOKA FARMS ROAD LANDFILL NORTH CELL SUMP REPAIR RECORD DRAWINGS  
DRAWING TITLE: SUMP NO. 5 AND 6 DETAILS  
CLIENT: VOLUSIA COUNTY DEPARTMENT OF PUBLIC WORKS SOLID WASTE DIVISION DELAND, FLORIDA

**SCS ENGINEERS**  
STEVEN CONRAD AND SCHMIDT  
401 PARK CIRCLE, SUITE 101, TAMPA, FL 33610  
TEL: 813-973-1000 FAX: 813-973-1001  
WWW.SCSENGINEERS.COM  
09/03/09/07.02  
DATE: 12/9/09  
BY: LJP  
CHECKED: LJP  
SCALE: 1"=10'-0"

CADD FILE: 060702RD-DETAILS  
DATE: DECEMBER 2009  
SCALE: AS SHOWN  
DRAWING NO.

  
 LEE A. POWELL, P.E.  
 LICENSE NO. 1145662

REV.	DATE	DESCRIPTION	BY
1	12/9/09	RECORD DRAWING	LAP
2			
3			

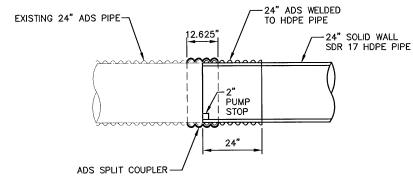
**DRAWING TITLE**  
 DETAILS - 1  
**PROJECT TITLE**  
 TOMOKA FARMS ROAD LANDFILL  
 NORTH CELL SUMP REPAIR  
 RECORD DRAWINGS

**CLIENT**  
 VOLLUSIA COUNTY  
 DEPARTMENT OF PUBLIC WORKS  
 SOLID WASTE DIVISION  
 DELAND, FLORIDA

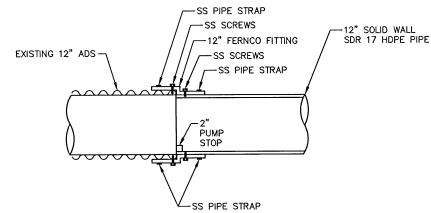
**SCS ENGINEERS**  
 STEARNS, CONRAD AND SCHMIDT  
 CONSULTING ENGINEERS  
 815 S.W. 11TH AVE., SUITE 200  
 FORT LAUDERDALE, FLORIDA 33404  
 (772) 361-1000  
 FLORIDA LICENSE NO. 0000000007.02  
 DATE: 12/9/09

**CADD FILE:**  
 080702RD-DETLs  
**DATE:**  
 DECEMBER 2009  
**SCALE:**  
 AS SHOWN

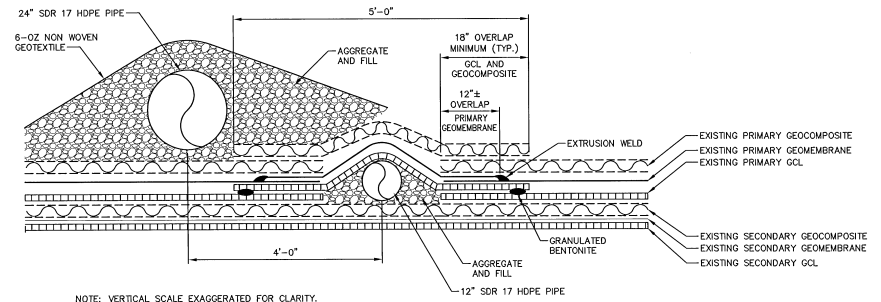
**DRAWING NO.**  
 3 of 3



**TYPICAL CONNECTION BETWEEN EXISTING 24" LEACHATE COLLECTION ADS PIPE AND SOLID WALL HDPE PIPE DETAIL** 1  
 NOT TO SCALE



**TYPICAL CONNECTION BETWEEN EXISTING 12" LEAK DETECTION PIPE AND SOLID WALL HDPE PIPE DETAIL** 2  
 NOT TO SCALE



NOTE: VERTICAL SCALE EXAGGERATED FOR CLARITY.

**TYPICAL SECTION** 3  
 NOT TO SCALE

**RECORD DRAWING NOTE**

THIS RECORD DRAWING HAS BEEN PREPARED BASED ON INFORMATION PROVIDED BY OTHERS. THE ENGINEER HAS NOT VERIFIED THE ACCURACY OF THIS INFORMATION AND SHALL NOT BE RESPONSIBLE FOR ANY ERRORS OR OMISSIONS WHICH MAY BE INCORPORATED HEREIN AS A RESULT.

SCS ENGINEERS Date: 12/9/09

**RECORD DRAWING**

DATE: 12/9/09