

REV	DATE	DESCRIPTION
1	4/15/10	REVISED FOR THE RECORD

DETAILS - 2

**HILLSBOROUGH COUNTY
SOLID WASTE
MANAGEMENT DEPARTMENT
TAMPA, FLORIDA**

**SOUTHEAST COUNTY LANDFILL
LANDFILL GAS COLLECTION
AND CONTROL SYSTEM PROJECT**

CLIENT

SCS ENGINEERS
STEARNS, CONRAD AND SCHMIDT
CONSULTING ENGINEERS
1100 W. WALKER BLVD., SUITE 100, TAMPA, FL 33610
813.871.0080 FAX 813.872.6757
FLORIDA CERTIFICATE OF AUTHORIZATION NO. 00004892

DATE: 09/20/05.00
CHK: BJC
APP: BJC
DHP
RJD

CADD FILE: 075500DET1

DATE: OCTOBER 8, 2008

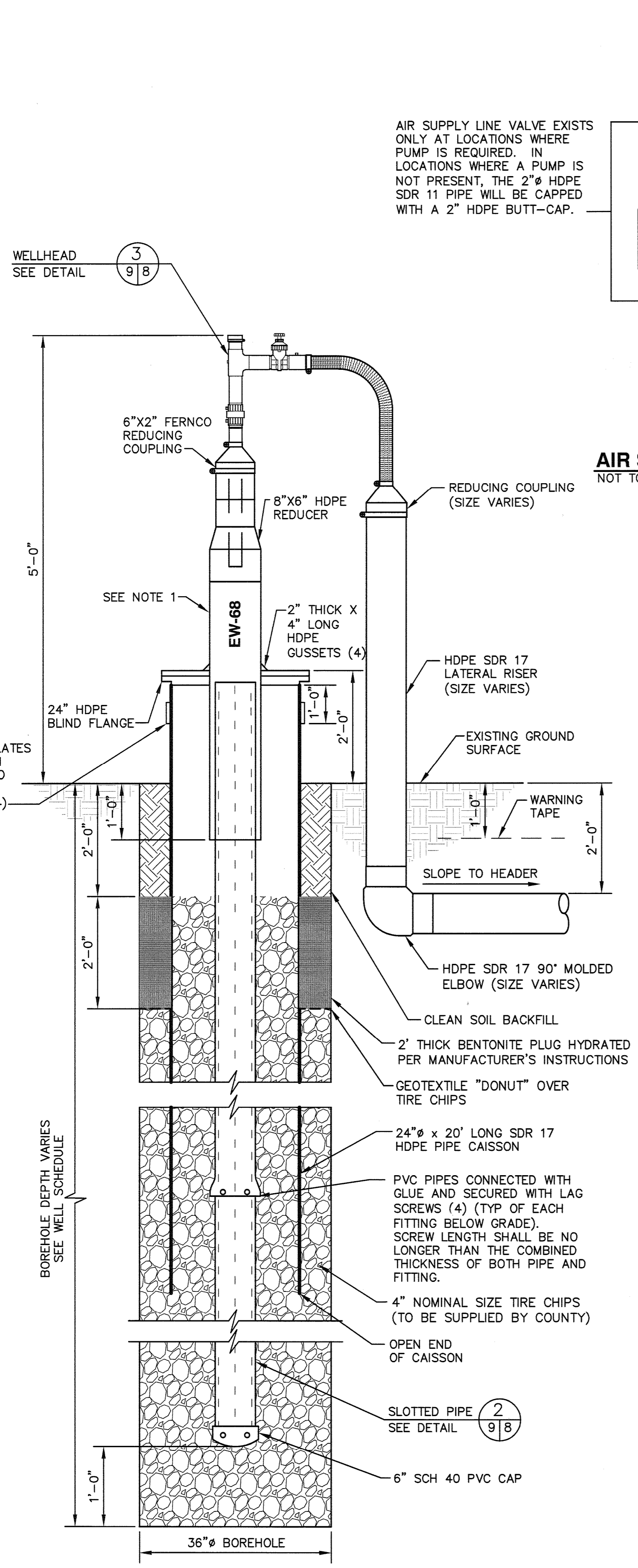
SCALE: NOT TO SCALE

DRAWING NO.:

RECORD DRAWING

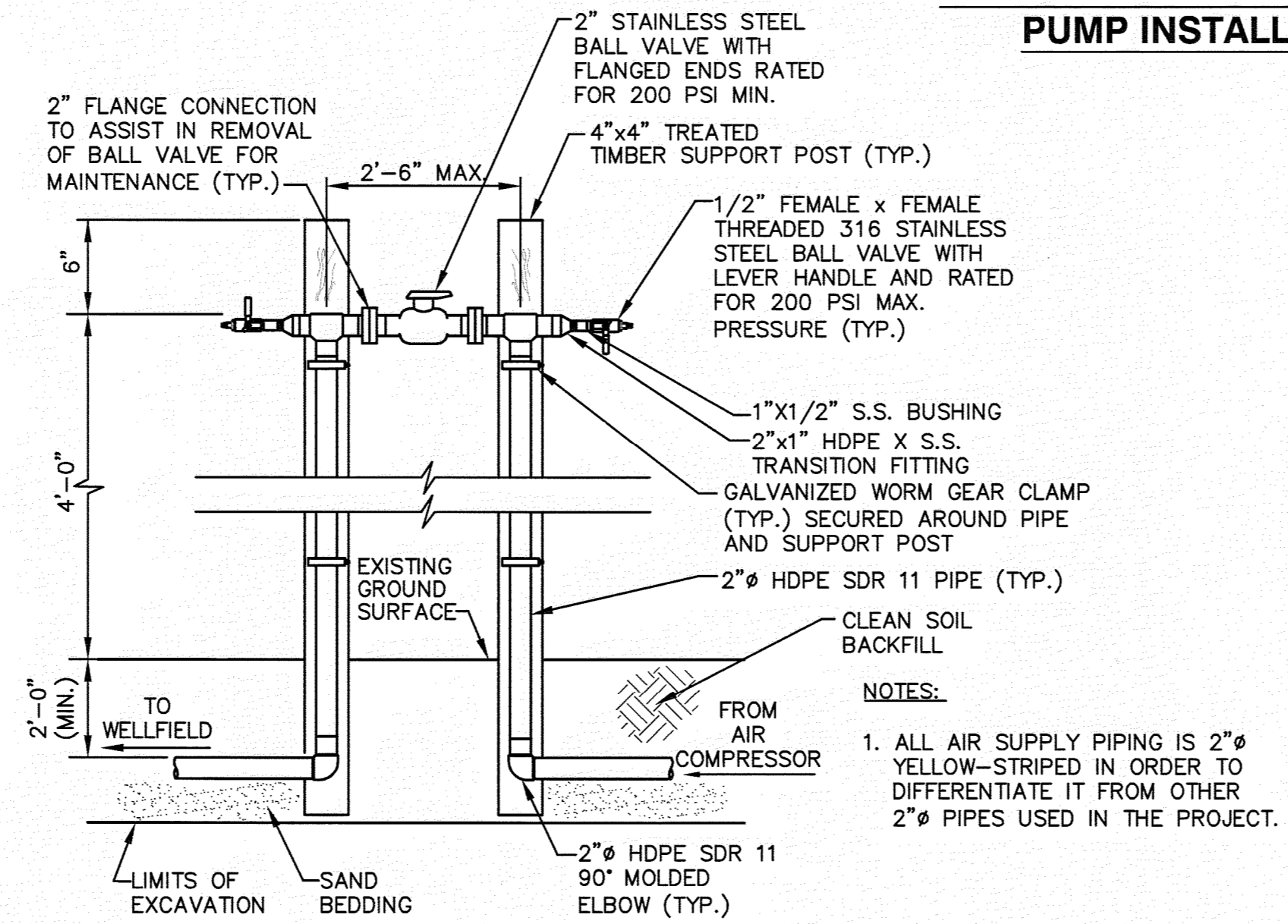
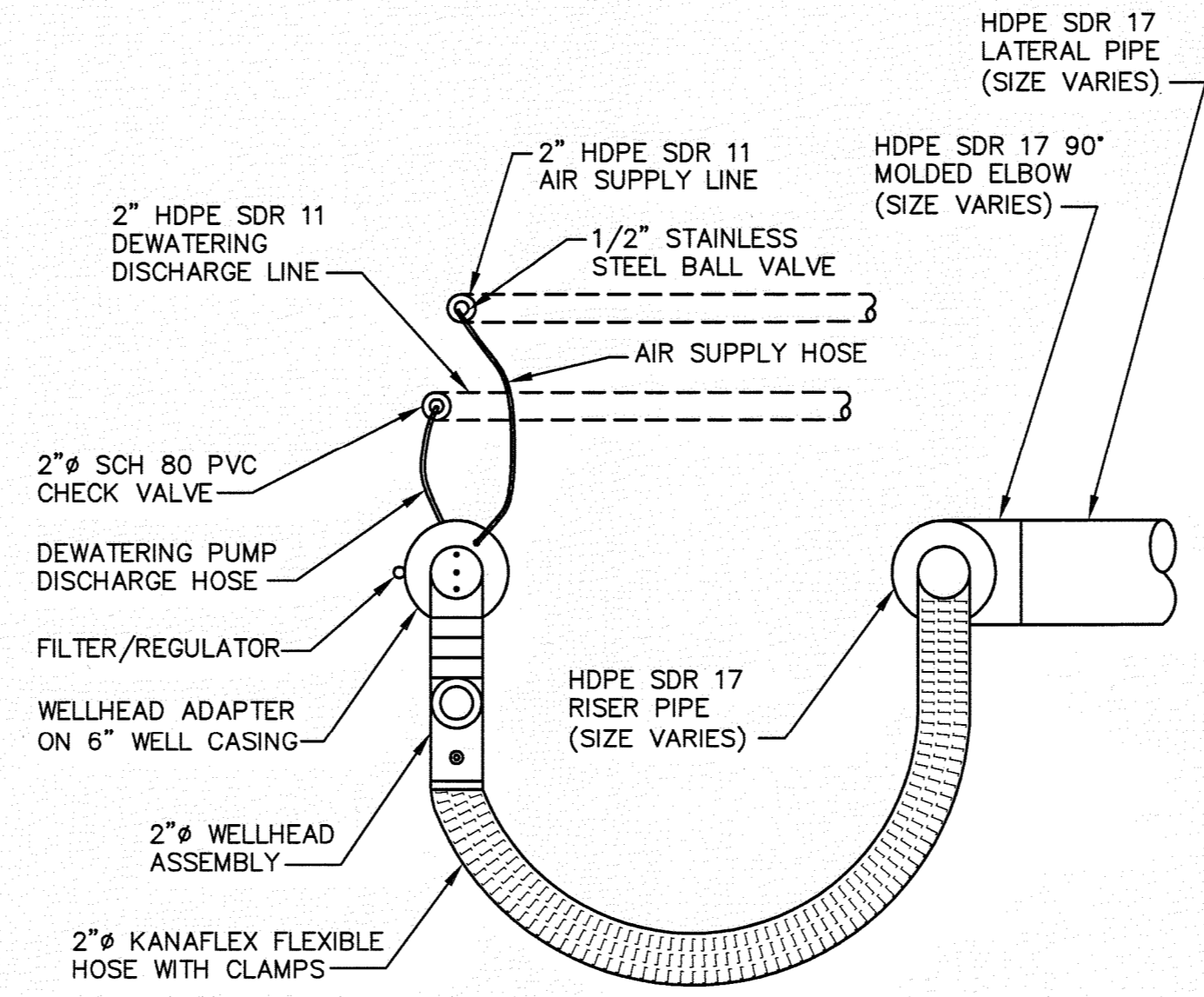
DATE: APRIL 15, 2010

9 of 30

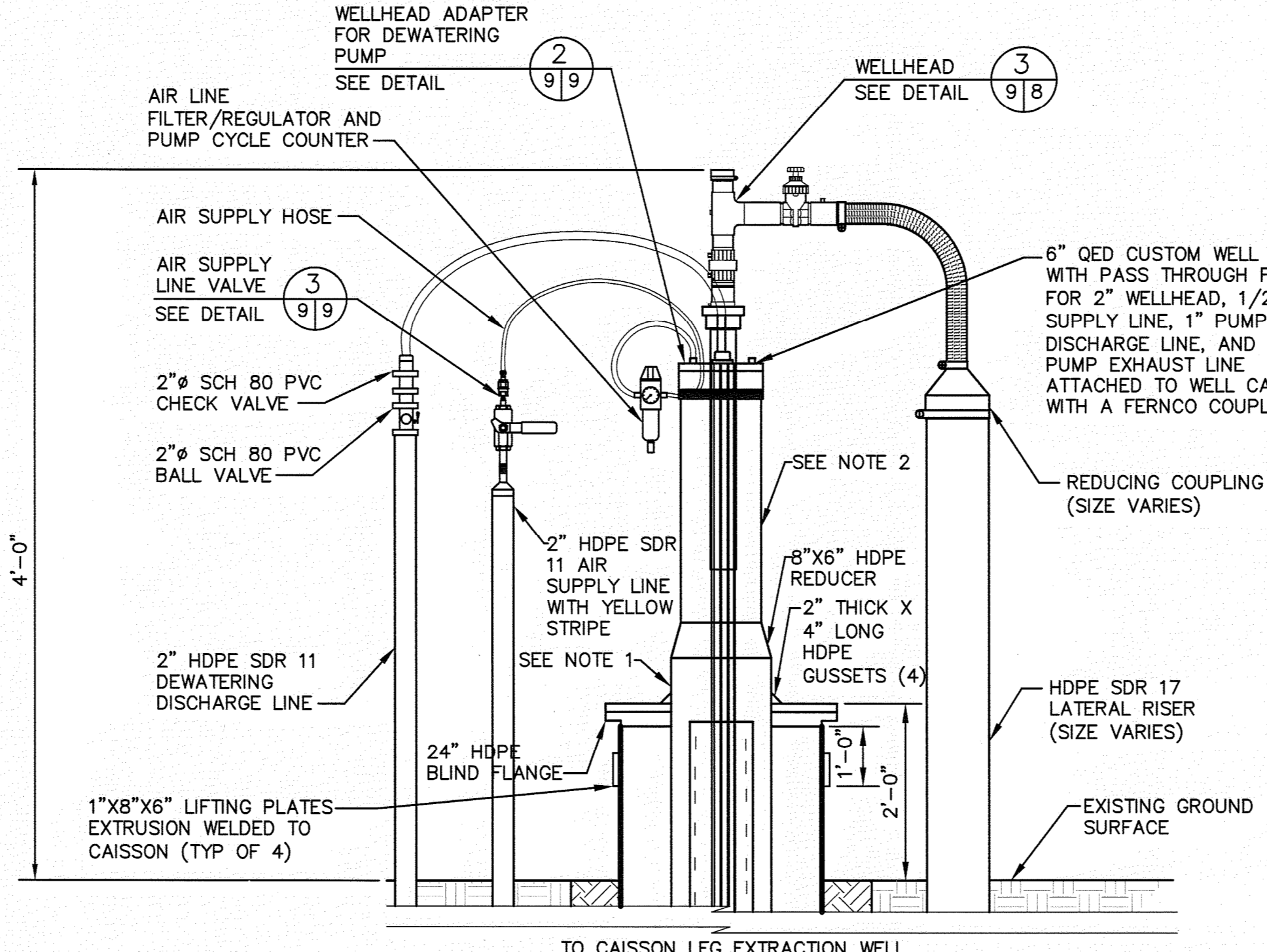


AIR SUPPLY LINE VALVE EXISTS ONLY AT LOCATIONS WHERE PUMP IS REQUIRED. IN LOCATIONS WHERE A PUMP IS NOT PRESENT, THE 2" HDPE SDR 11 PIPE WILL BE CAPPED WITH A 2" HDPE BUTT-CAP.

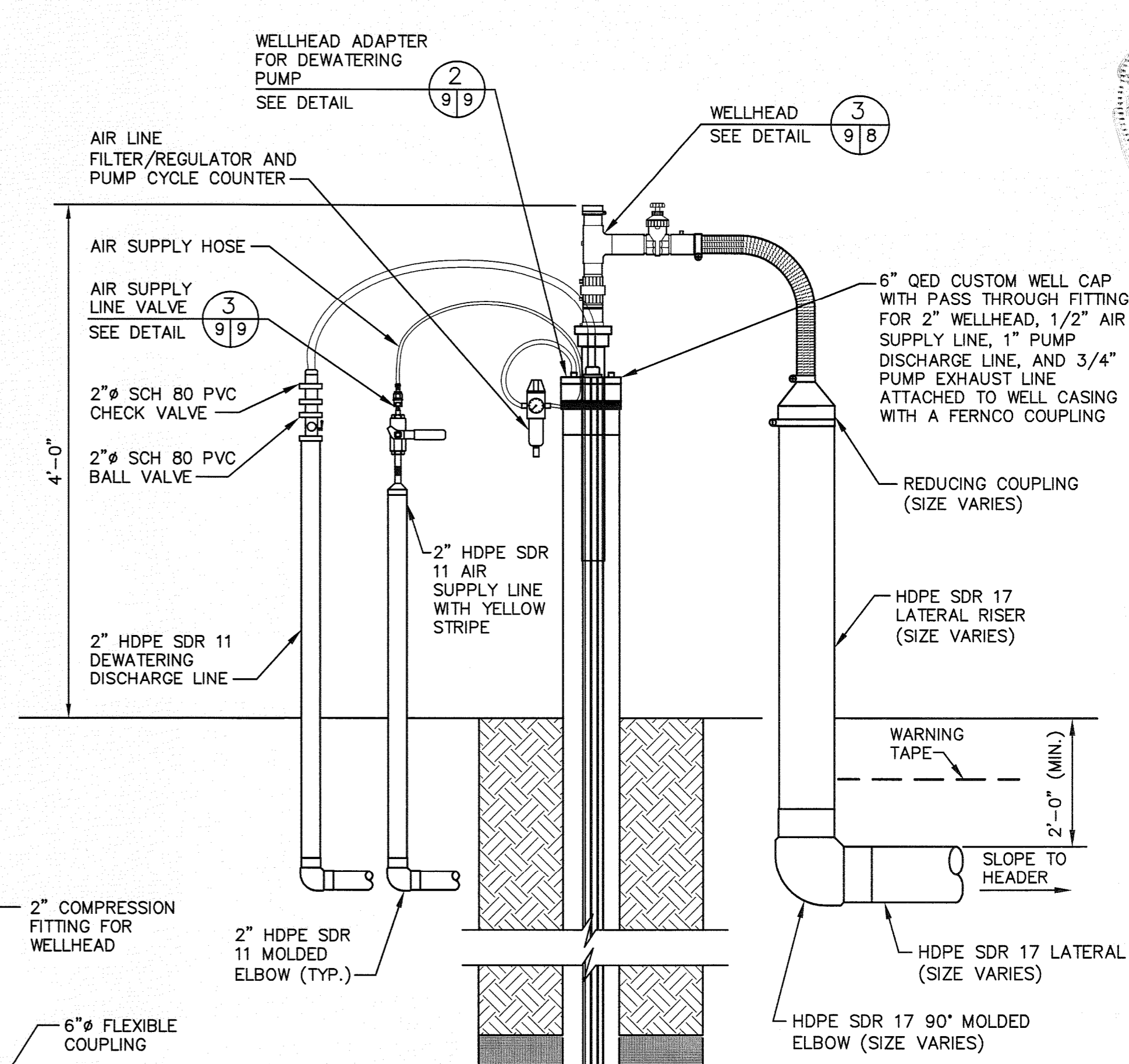
AIR SUPPLY LINE VALVE DETAIL
NOT TO SCALE



WELLHEAD ADAPTER FOR DEWATERING PUMP
NOT TO SCALE



CAISSON LFG EXTRACTION WELL WITH OPTIONAL DEWATERING PUMP DETAIL
NOT TO SCALE



OPTIONAL DEWATERING PUMP INSTALLATION DETAIL
NOT TO SCALE

RECORD DRAWING

DATE: APRIL 15, 2010