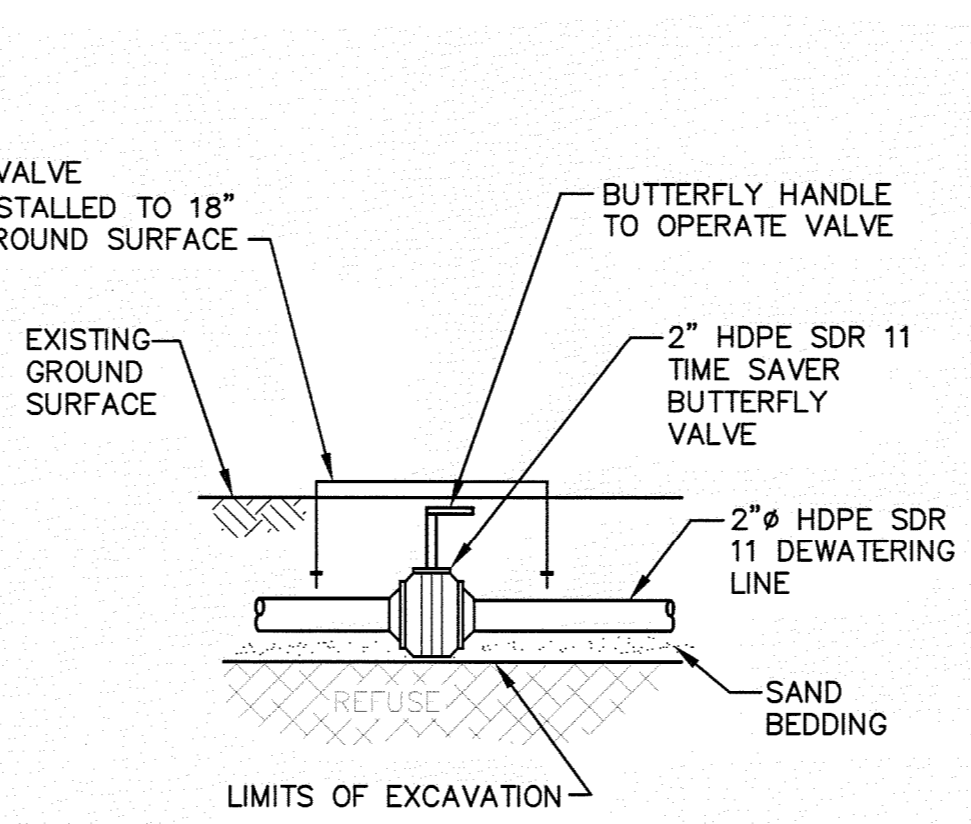
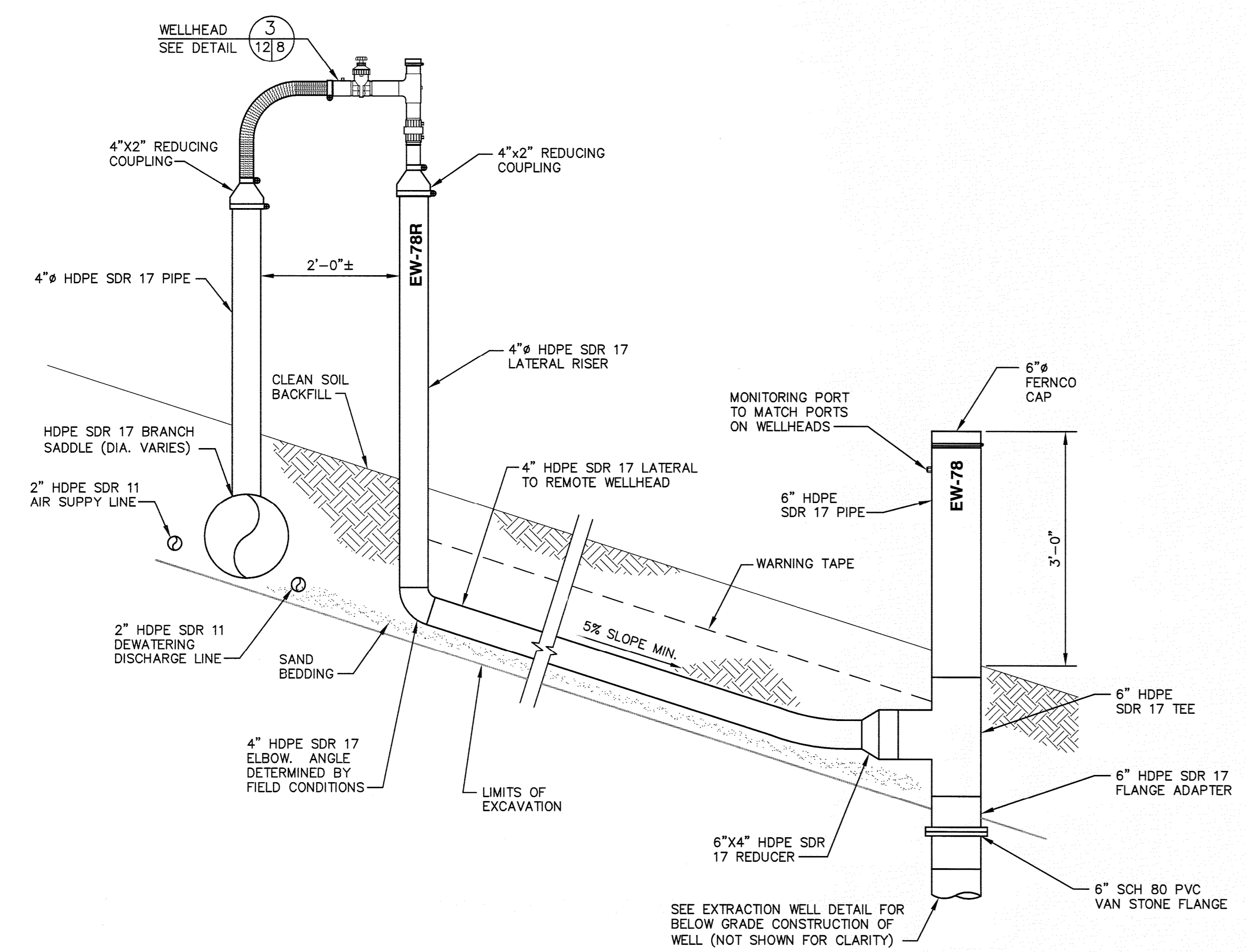


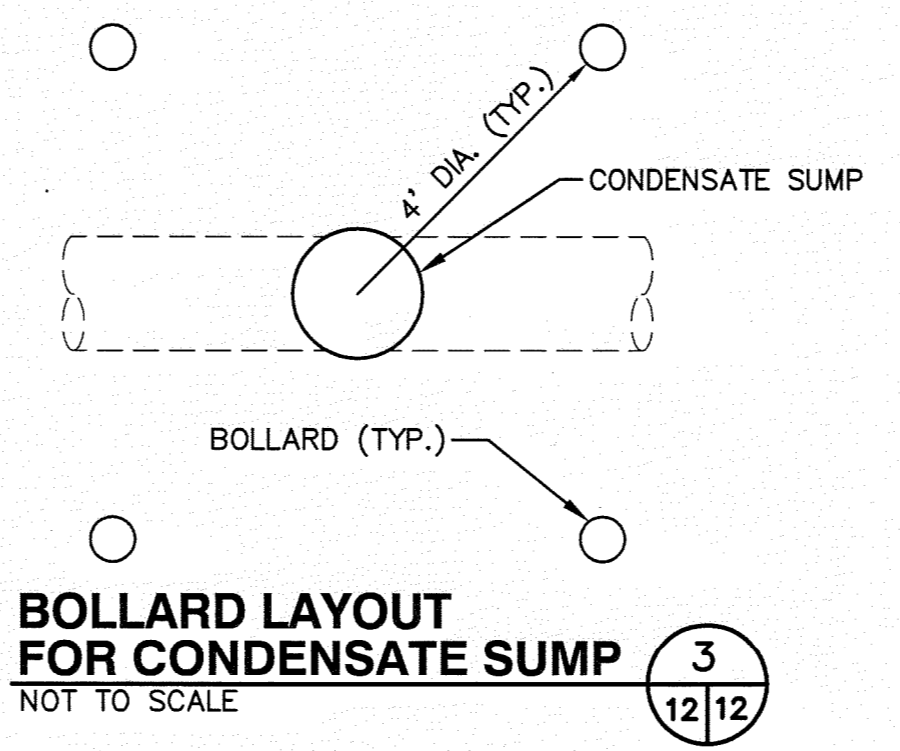
REMOTE WELLHEAD DETAIL
NOT TO SCALE
3,4,5,6,10 12



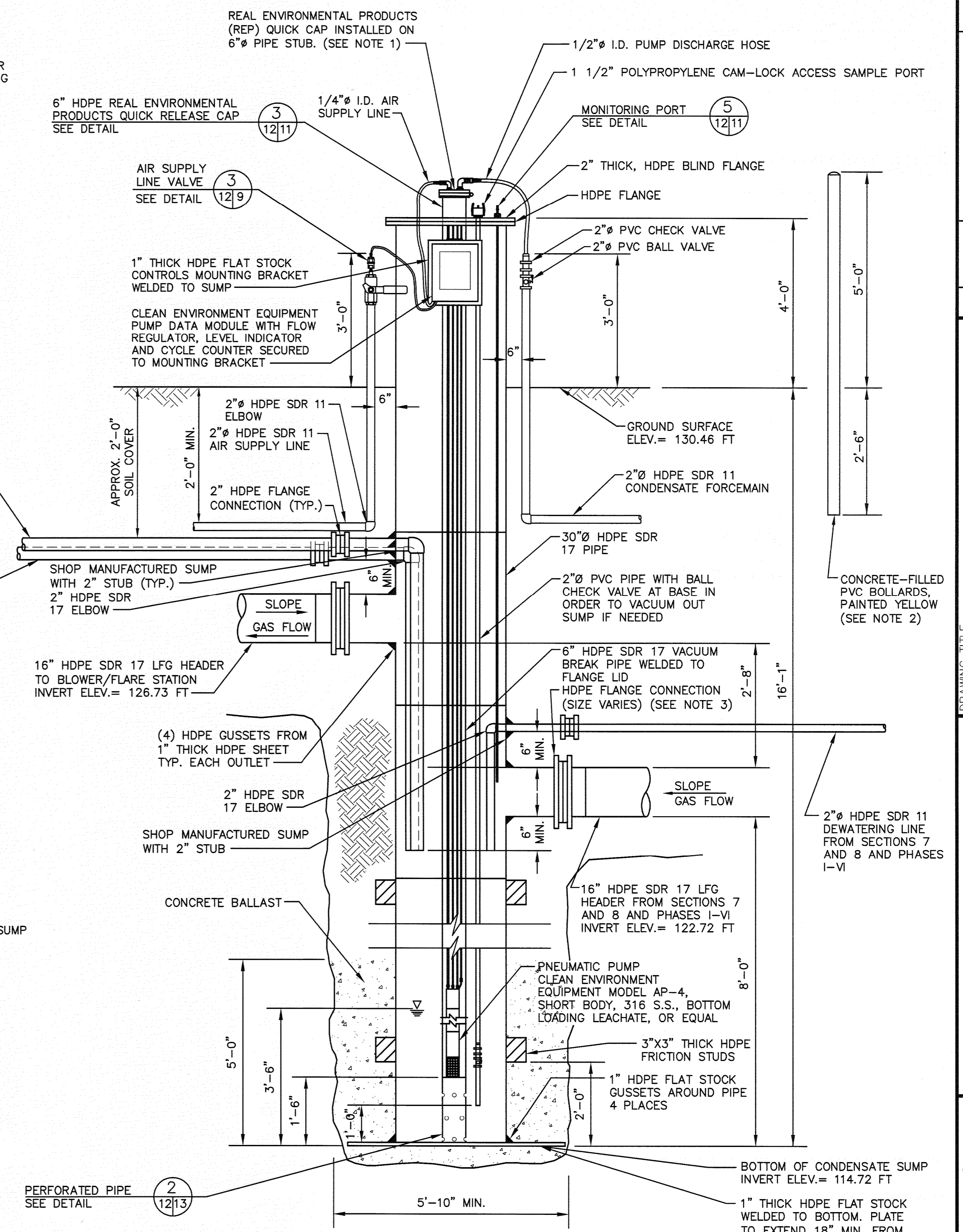
**DEWATERING DISCHARGE/
CONDENSATE DRAIN LINE
ISOLATION VALVE DETAIL**
NOT TO SCALE
3,4,5,6 12



DOWNSLOPE LFG EXTRACTION WELL
NOT TO SCALE
3,4,5 12



**BOLLARD LAYOUT
FOR CONDENSATE SUMP**
NOT TO SCALE
3 12/12



CONDENSATE SUMP DETAIL
NOT TO SCALE
3,7 12

- NOTES:**
- 6" x 9" LONG HDPE STUB THROUGH BLIND FLANGE. 6" OF STUB TO PROTRUDE THROUGH EACH SIDE OF FLANGE. EXTRUSION WELD PIPE TO BOTH SIDES OF BLIND FLANGE. CENTER OF STUB-OUT LOCATED 2" OFF CENTER OF BLIND FLANGE.
 - CONTRACTOR INSTALLED 4 BOLLARDS IN SQUARE PATTERN WITH CORNERS 4 FEET FROM CENTER OF CONDENSATE TRAP (SEE DETAIL 4 ON THIS SHEET). BOLLARDS SHALL BE CONCRETE-FILLED PVC PIPES 6" x 7'-6" TALL. BOLLARDS WERE PAINTED SAFETY YELLOW.
 - ENTIRE SURFACE OF BOLTS, WASHERS, NUTS AND BACKUP RINGS WERE THOROUGHLY COATED WITH POLYCOAT RUBBERIZED PRIMER AFTER TIGHTENING BOLTS. FLANGE WAS WRAPPED IN PLASTIC WRAP PRIOR TO BACKFILLING.

BY	DRG
DESCRIPTION	REVISED FOR THE RECORD
DATE	4/15/10
REV	1
DETAILS - 5 SOUTHEAST COUNTY LANDFILL LANDFILL GAS COLLECTION AND CONTROL SYSTEM PROJECT	
DRAWING TITLE	PROJECT TITLE
HILLSBOROUGH COUNTY SOLID WASTE MANAGEMENT DEPARTMENT TAMPA, FLORIDA	
CLIENT	
SCS ENGINEERS STEARNS, CONRAD AND SCHMIDT CONSULTING ENGINEERS 604 PARK GARDEN BLVD., SUITE 100, TAMPA, FL 33610 813.871.0080 FAX 813.872.6757 FLORIDA CERTIFICATE OF AUTHORIZATION NO. 00004892	6/7A P/W BY: DHP APP. BY: RJD 09/20/05.00 CHK. BY: DRC DAW/DRG
CADD FILE:	075500DET1
DATE:	OCTOBER 8, 2008
SCALE:	NOT TO SCALE
DRAWING NO.	
RECORD DRAWING DATE: APRIL 15, 2010 12 of 30	