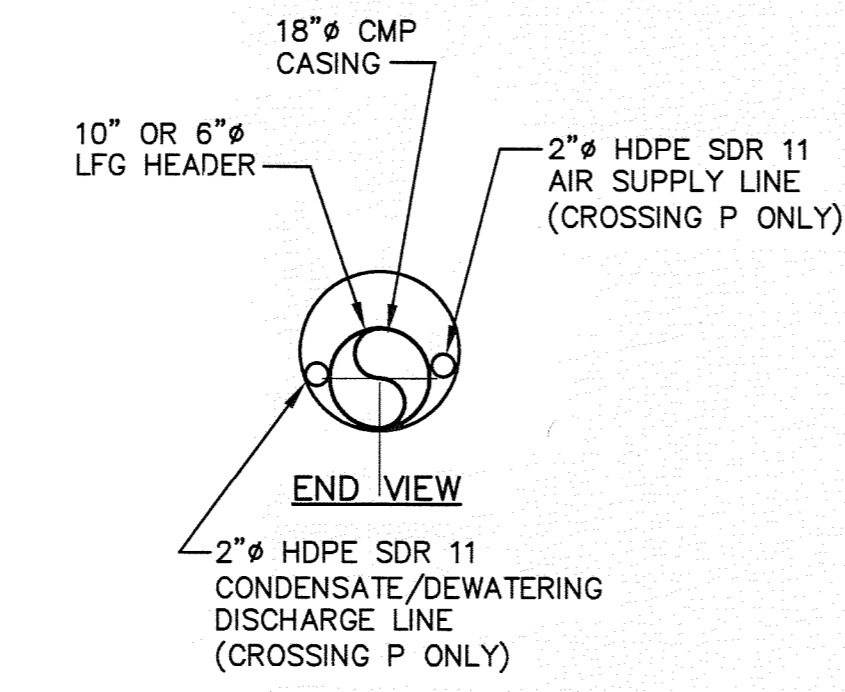


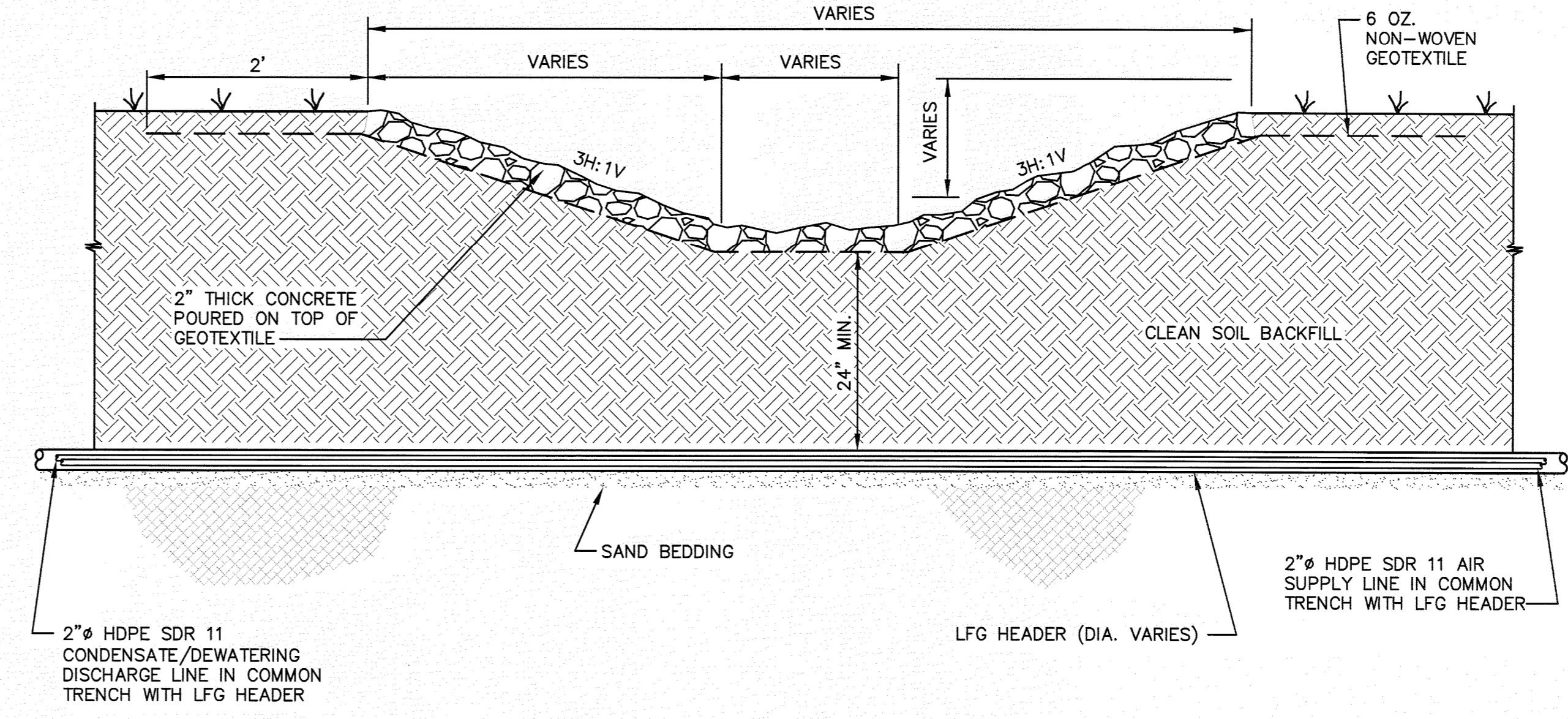
**UNPAVED ROAD CROSSINGS  
N & P DETAIL**

NOT TO SCALE

6  
3.4.5 14



- NOTES:**
- CONTRACTOR RESTORED ROAD TO MATCH ORIGINAL CONDITIONS.
  - CONTRACTOR INSTALLED 2 BOLLARDS, ONE AT EACH END OF THE CMP CASING. BOLLARDS WERE PAINTED SAFETY YELLOW AND LABELED "LANDFILL GAS PIPES BURIED BELOW".
  - SUBBASE CONSISTS OF 12" OF TYPE "B" STABILIZATION MIN. LBR 40.

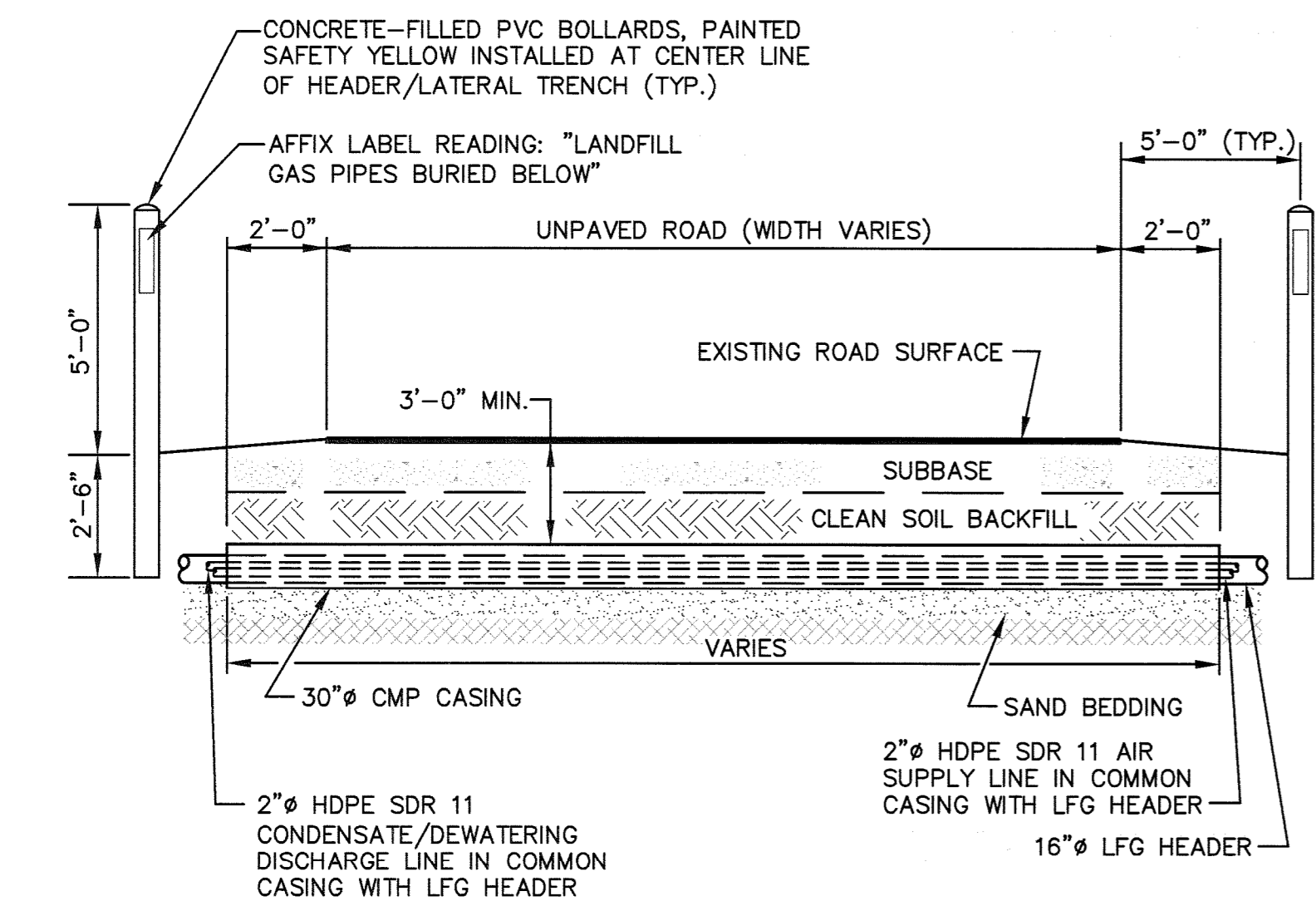


**SWALE CROSSINGS B, C, F, J, K & L DETAIL**

NOT TO SCALE

1  
3.4.5.6 14

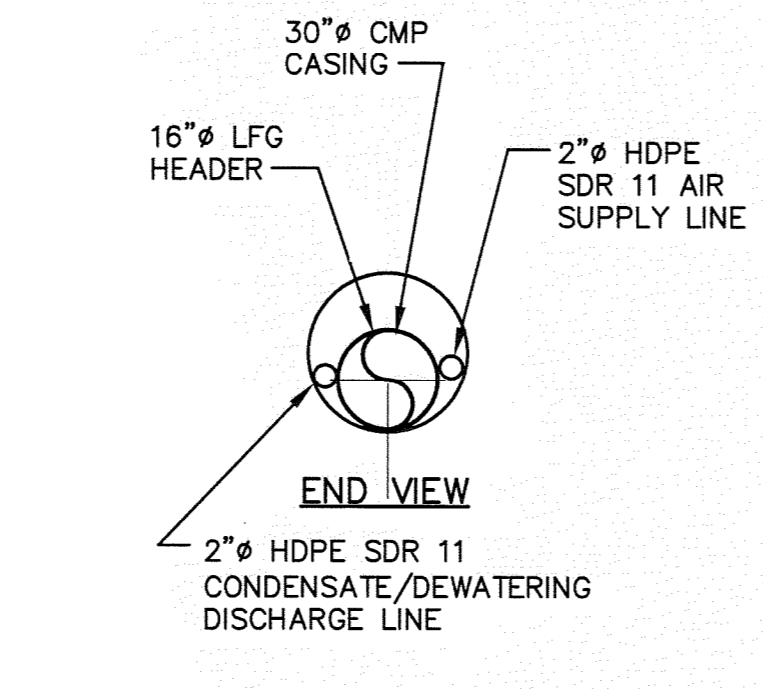
- NOTES:**
- ALL EXCAVATED AREAS WERE RESTORED TO EXISTING CONDITIONS.



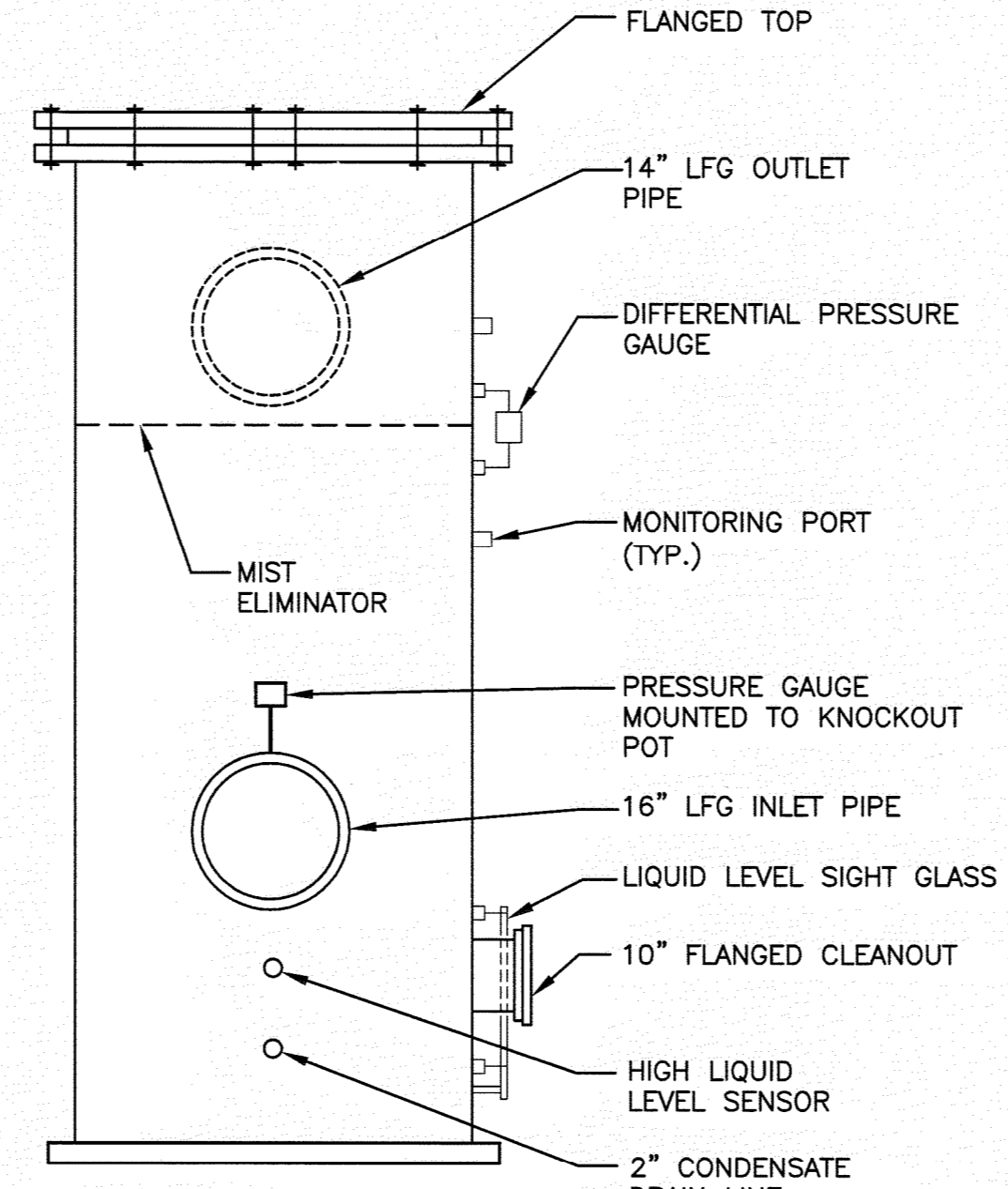
**UNPAVED ROAD CROSSINGS  
A, D, E, I, & H DETAIL**

NOT TO SCALE

7  
3.4.5.6.7 14



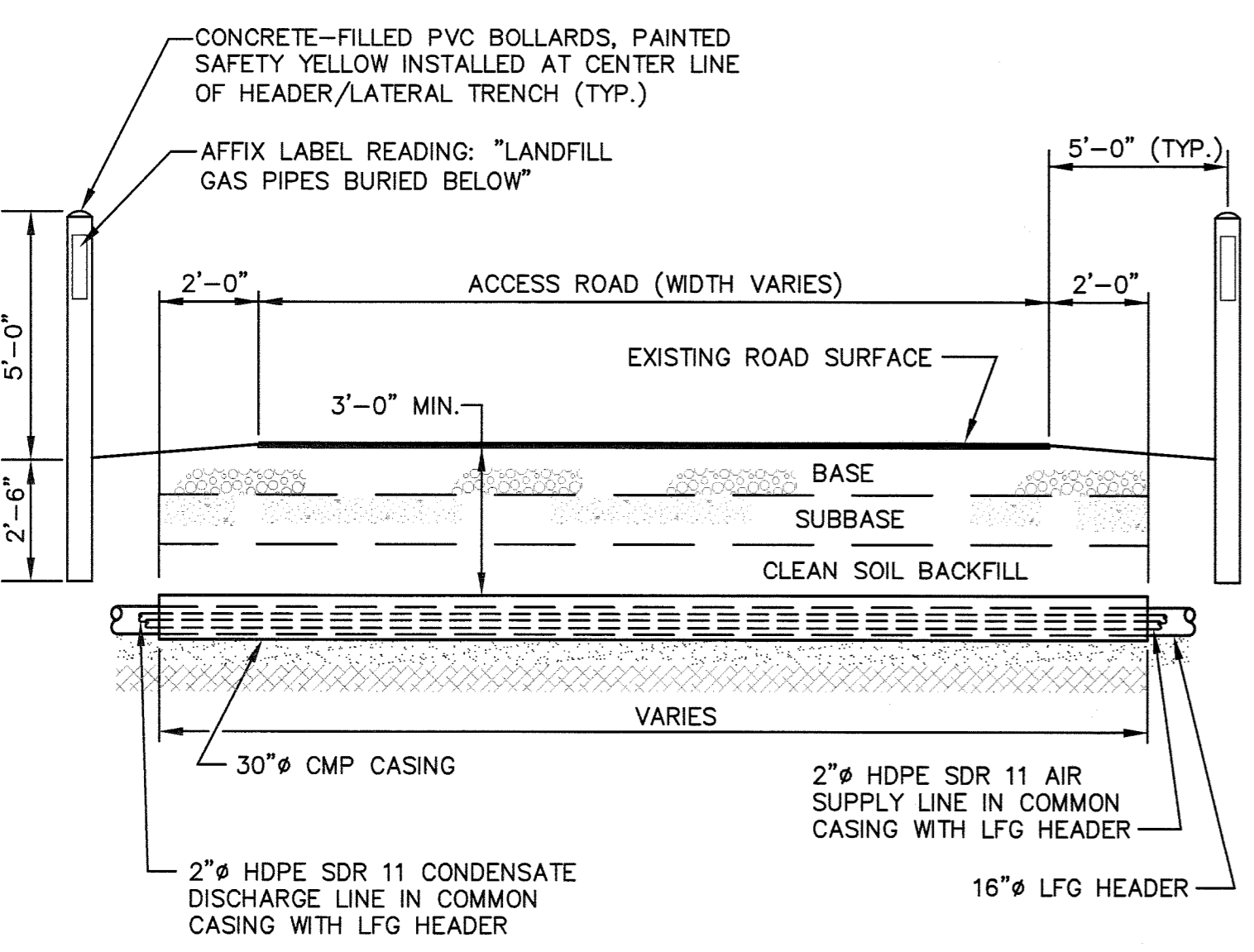
- NOTES:**
- CONTRACTOR RESTORED ROAD TO MATCH ORIGINAL CONDITIONS.
  - CONTRACTOR INSTALLED 2 BOLLARDS, ONE AT EACH END OF THE CMP CASING. BOLLARDS WERE PAINTED SAFETY YELLOW AND LABELED "LANDFILL GAS PIPES BURIED BELOW".
  - SUBBASE CONSISTS OF 12" OF TYPE "B" STABILIZATION MIN. LBR 40.



**KNOCKOUT POT DETAIL**

NOT TO SCALE

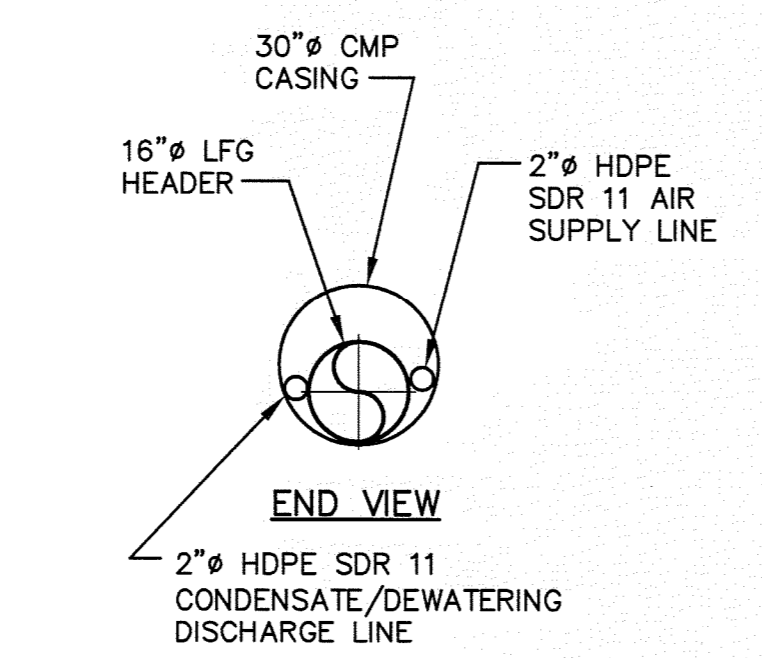
5  
16/14



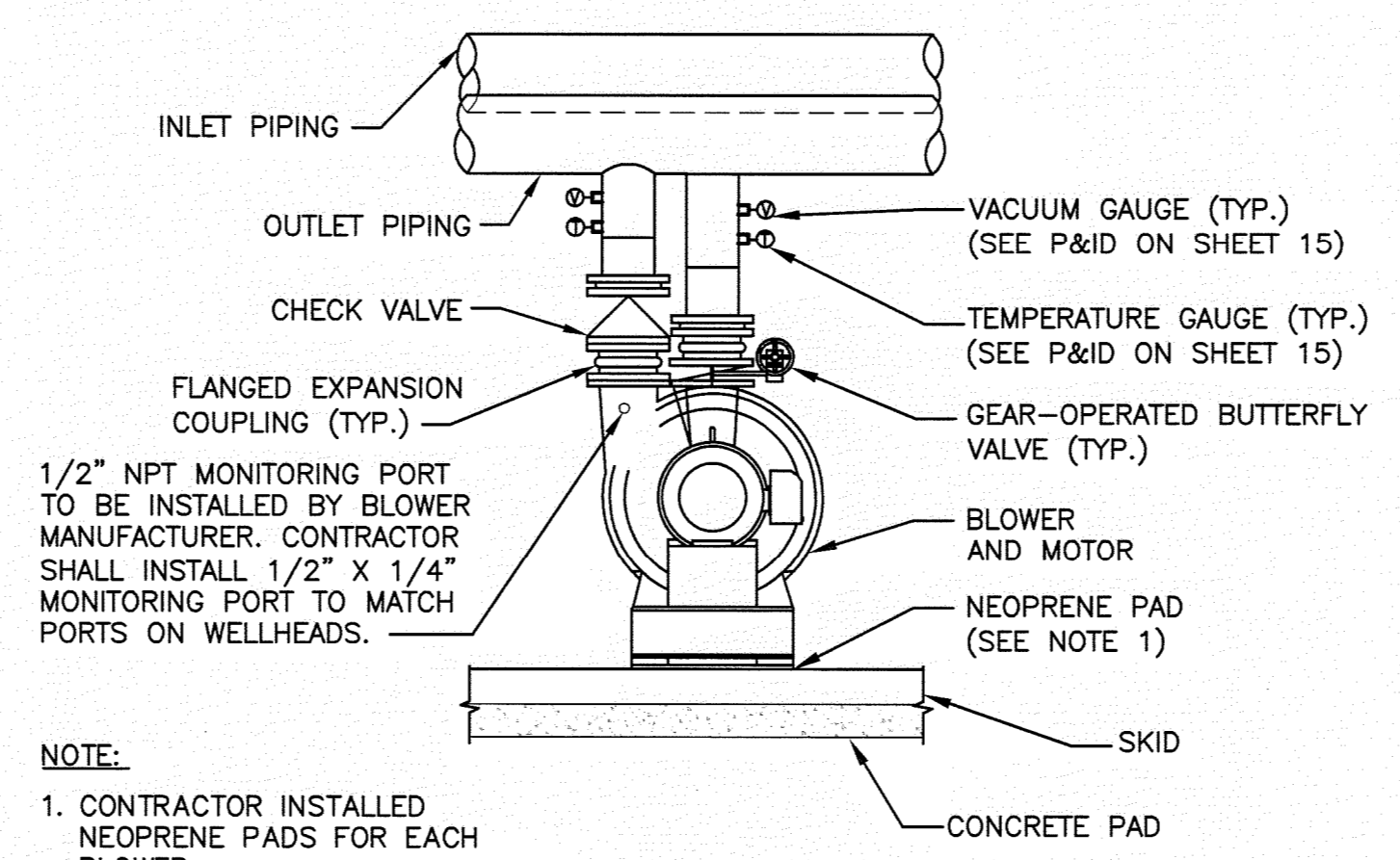
**PHASES I-VI MAIN HAUL ROAD  
CROSSING G DETAIL**

NOT TO SCALE

8  
3.5 14



- NOTES:**
- CONTRACTOR RESTORED ROAD TO MATCH ORIGINAL CONDITIONS.
  - CONTRACTOR INSTALLED 2 BOLLARDS, ONE AT EACH END OF THE CMP CASING. BOLLARDS WERE PAINTED SAFETY YELLOW AND LABELED "LANDFILL GAS PIPES BURIED BELOW".
  - BASE CONSISTS OF 12" OF CRUSHED SLAG. SUBBASE CONSISTS OF 12" OF TYPE "B" STABILIZATION MIN. LBR 40. GENERAL FILL IS SPECIFIED IN THE SPECIFICATIONS PROVIDED IN CONTRACT DOCUMENTS.

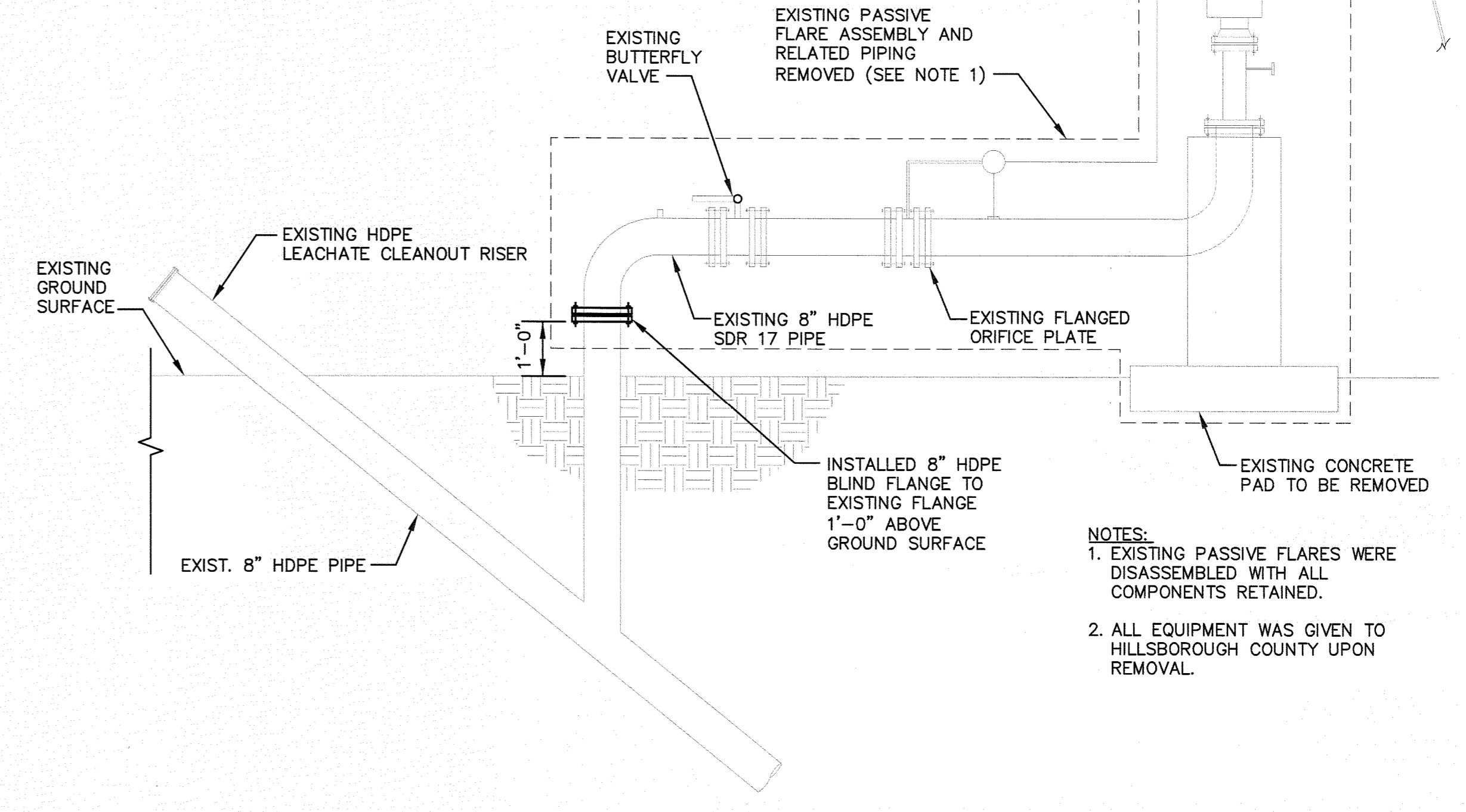


**BLOWER SECTION**

NOT TO SCALE

B  
16/14

- NOTE:**
- CONTRACTOR INSTALLED NEOPRENE PADS FOR EACH BLOWER.

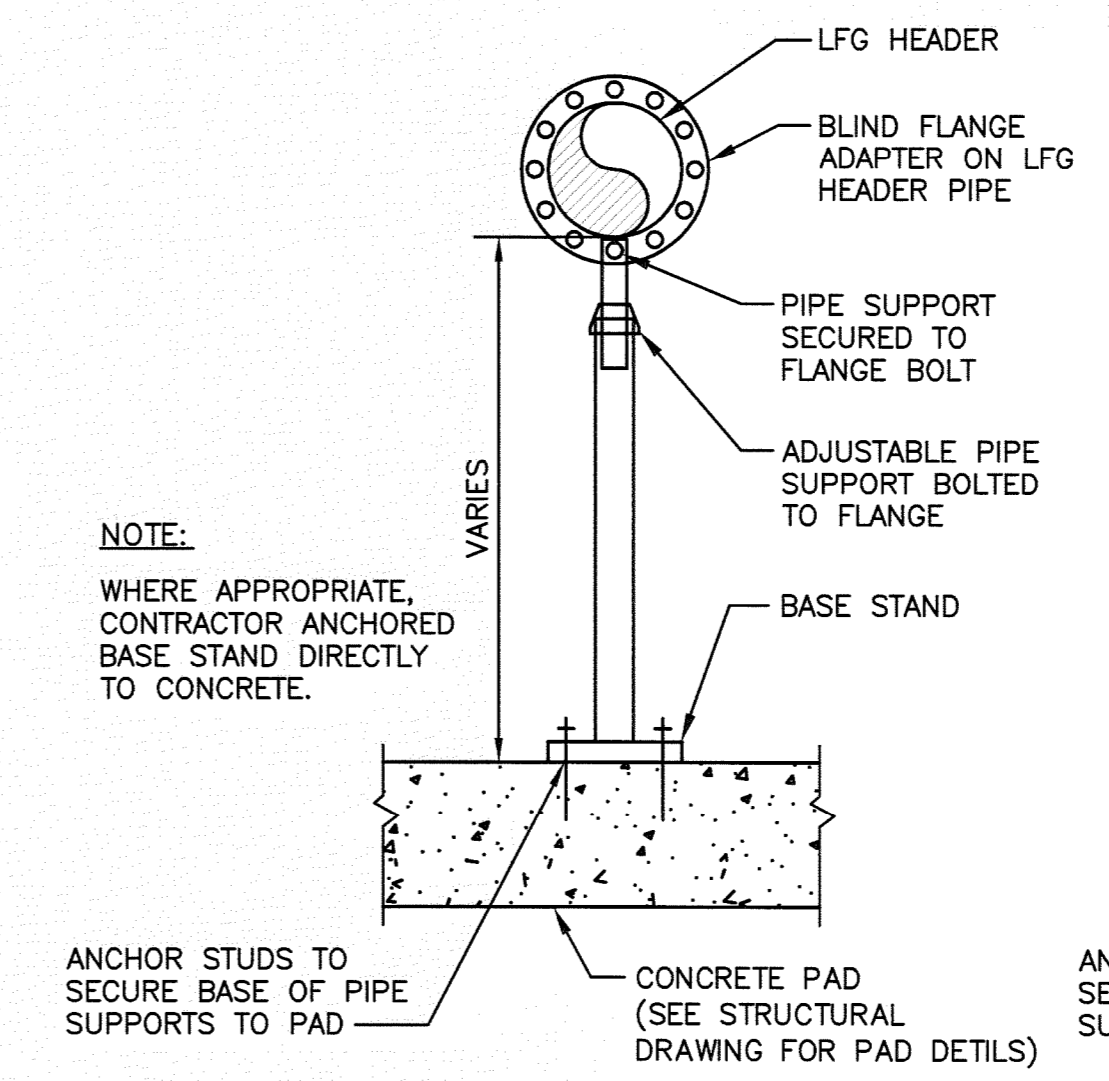


**PASSIVE GAS FLARE ABANDONMENT DETAIL**

NOT TO SCALE

2  
3.4 14

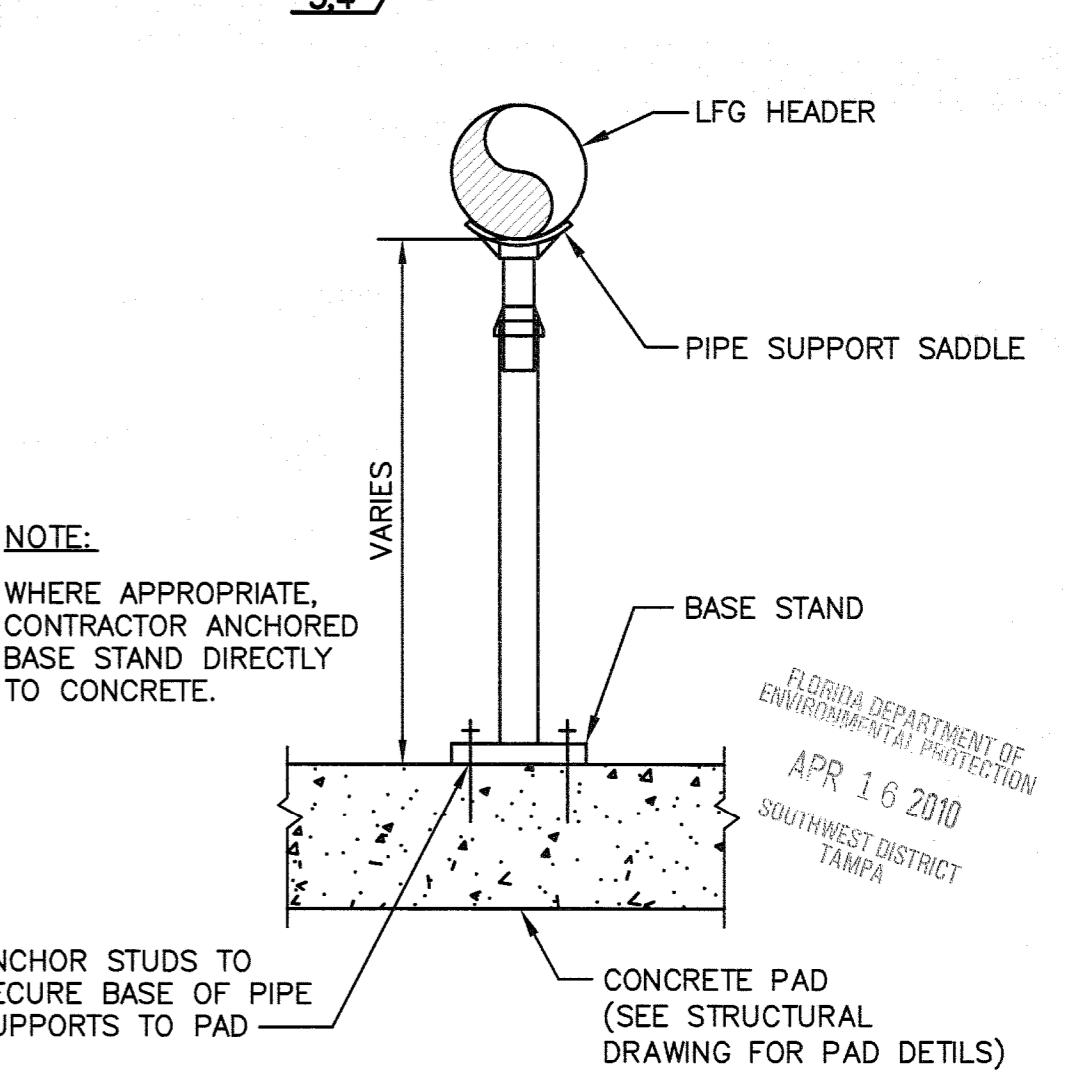
- NOTES:**
- EXISTING PASSIVE FLARES WERE DISASSEMBLED WITH ALL COMPONENTS RETAINED.
  - ALL EQUIPMENT WAS GIVEN TO HILLSBOROUGH COUNTY UPON REMOVAL.



**PIPE SUPPORT 4**

NOT TO SCALE

4  
16/14



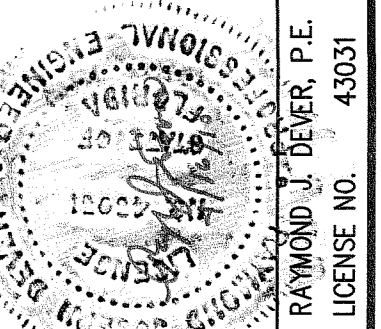
**PIPE SUPPORT 3**

NOT TO SCALE

3  
16/14

**RECORD DRAWING**

DATE: APRIL 15, 2010



REV	DATE	DESCRIPTION
1	4/15/10	REVISED FOR THE RECORD

**DETAILS - 7**

**HILLSBOROUGH COUNTY  
SOLID WASTE  
MANAGEMENT DEPARTMENT  
TAMPA, FLORIDA**

**SOUTHEAST COUNTY LANDFILL  
LANDFILL GAS COLLECTION  
AND CONTROL SYSTEM PROJECT**

**CLIENT**

**SCS ENGINEERS**  
STEARNS, CONRAD AND SCHMIDT  
CONSULTING ENGINEERS  
4041 PARK GARDEN BLVD., SUITE 100, TAMPA, FL 33610  
813.871.0080 FAX 813.824.6757  
FLORIDA CERTIFICATE OF AUTHORIZATION NO. 00004892  
ISSUED 09/20/05, EXPIRES 09/20/10  
OWNER: SDA/RDU  
DESIGNER: DWP  
CHECKER: DRC  
DRAWN: DAN/DRC

**CADD FILE:** 075500DET1

**DATE:** OCTOBER 8, 2008

**SCALE:** NOT TO SCALE

**DRAWING NO.:**