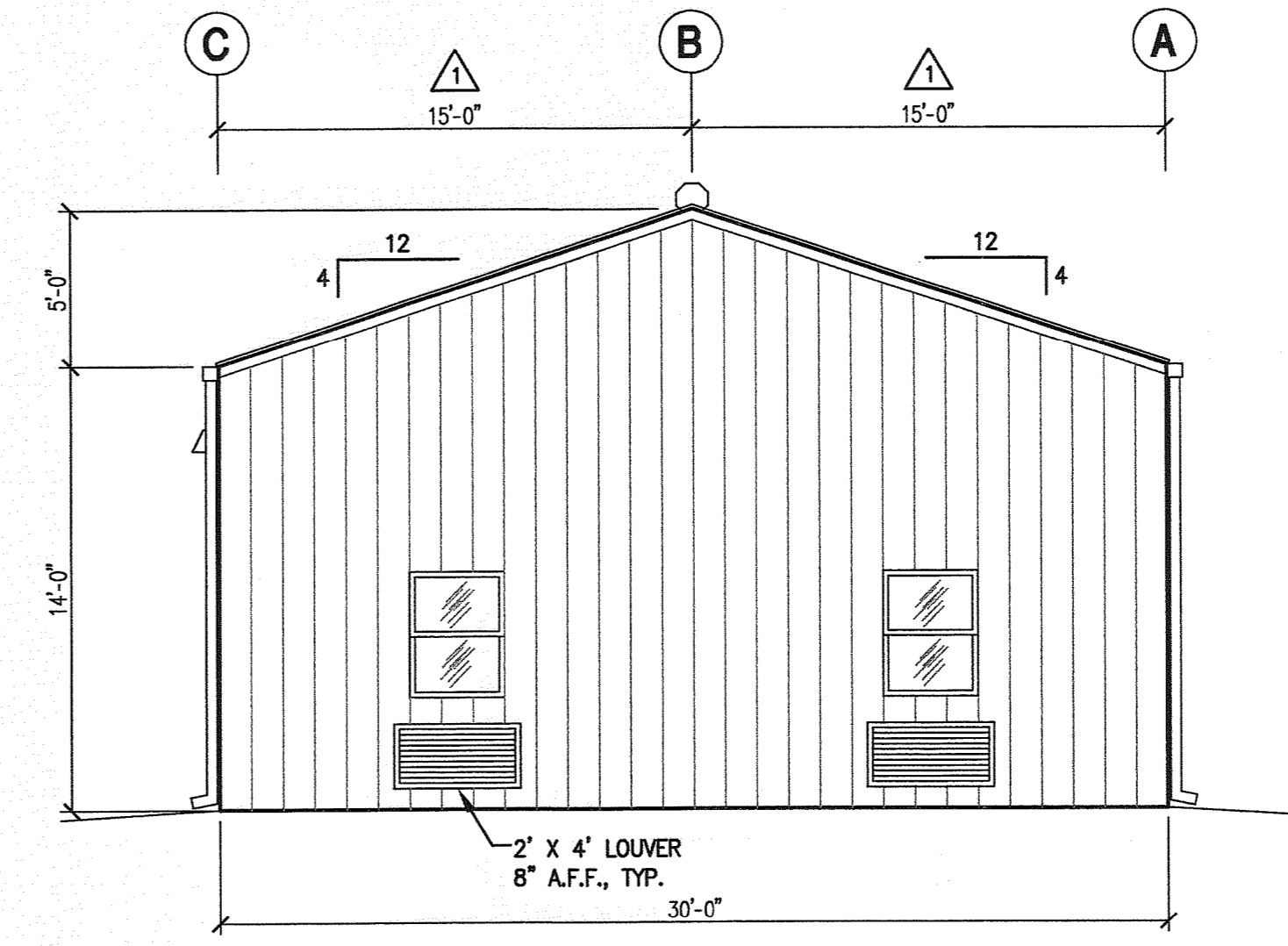
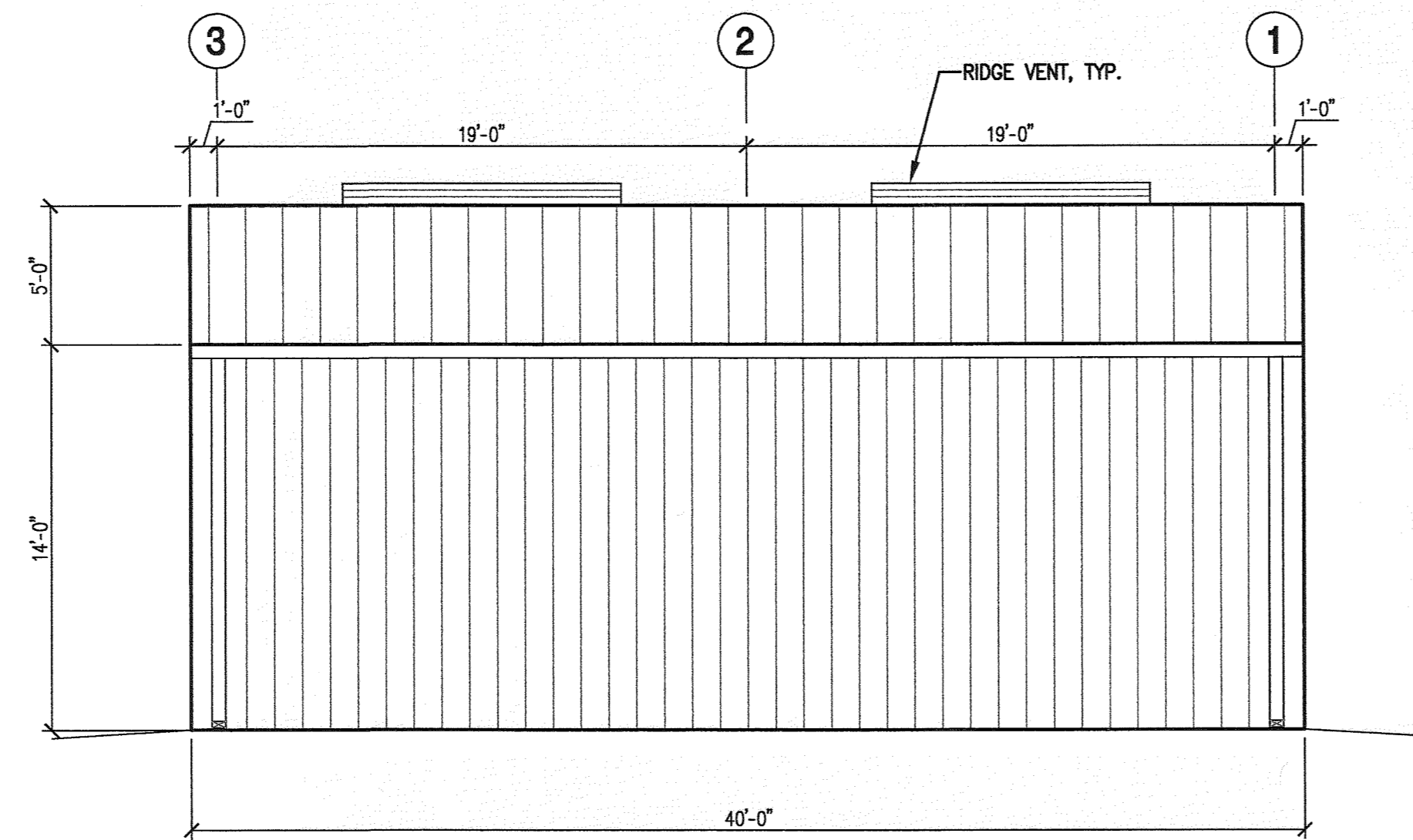


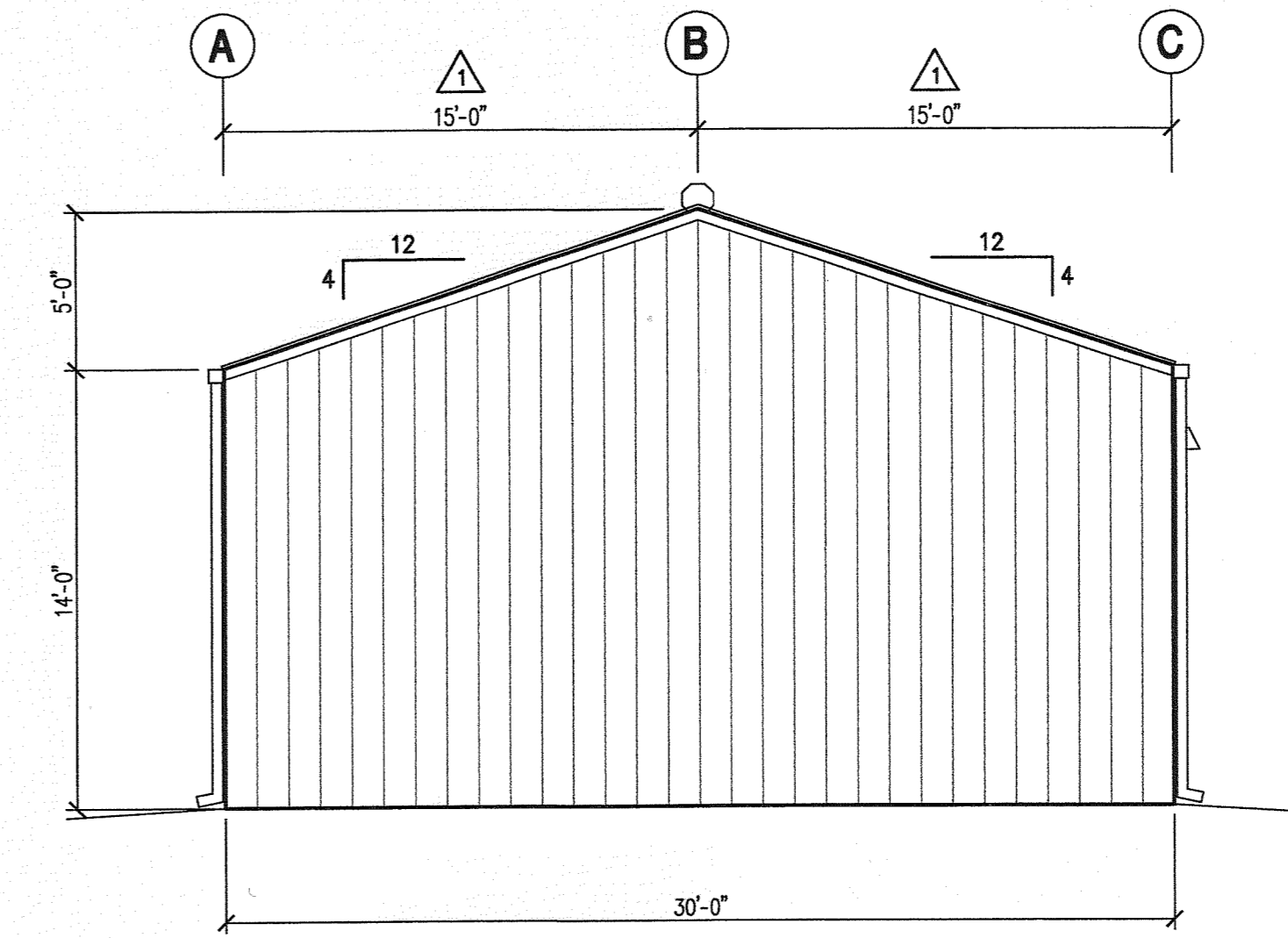
NORTHWEST ELEVATION
SCALE: 3/16" = 1'-0"



SOUTHWEST ELEVATION
SCALE: 3/16" = 1'-0"



SOUTHEAST ELEVATION
SCALE: 3/16" = 1'-0"



NORTHEAST ELEVATION
SCALE: 3/16" = 1'-0"

REV	DATE	DESCRIPTION	BY
1	4/21/09	COLUMN CHANGE - PER OWNER	BE
2	4/15/10	REVISED FOR THE RECORD	BE
3			
4			
5			

DRAWING TITLE: **BLOWER/STORAGE BUILDINGS**
 STORAGE BLDG. ELEVATIONS
 PROJECT: **SOUTHEAST COUNTY LANDFILL**
LANDFILL GAS COLLECTION
AND CONTROL SYSTEM

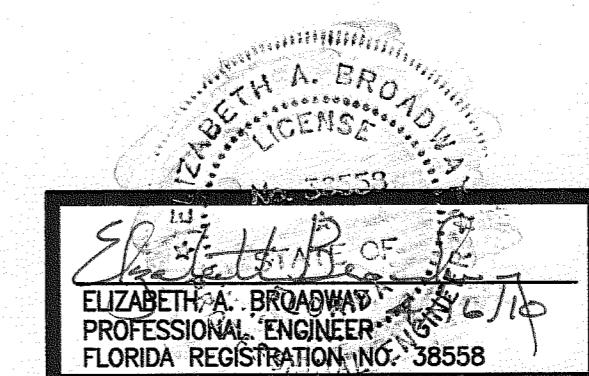
CLIENT: **HILLSBOROUGH COUNTY**
SOLID WASTE
MANAGEMENT DEPARTMENT
TAMPA, FLORIDA

SCS ENGINEERS
 STARRS, CONRAD AND SCHMIDT
 CONSULTING ENGINEERS
 401 Park Drive Blvd., Suite 100, Tampa, FL 33610
 PH (813) 947-0880 FAX (813) 947-9727
 FLORIDA CERTIFICATE OF AUTHORIZATION NO. 00004992
 PROJECT NO. 0555.00
 DATE: APR. 16, 2010
 DRAWN BY: EAB
 CHECKED BY: EAB
 APPR. BY: EAB

CADD FILE: **BE-3531 - S-3**
 DATE: **JULY 2008**
 SCALE: **AS SHOWN**

DRAWING NO. **S-3** of 30
 CERTIFICATE NO.

FLORIDA DEPARTMENT OF ENVIRONMENTAL PROTECTION
 APR 16 2010
 SOUTHWEST DISTRICT
 TAMPA



BROADWAY ENGINEERING, P.A.
 CIVIL, MECHANICAL, STRUCTURAL AND BUILDING DESIGN
 See Us At www.Broadway-Eng.com
 1335 W. Cass Street
 Tampa, Florida 33606 813-251-9244
 Fax 813-251-8330 Bus. Email: info@broadway-eng.com
 Elizabeth A. Broadway
 PROFESSIONAL ENGINEER
 Florida Registration No. 38558
 EAB-3531 Certificate of Authorization No. 4599

RECORD DRAWING
 DATE: APRIL 15, 2010

C:\p\scs\scs\100000013-3-RECORD.DWG Apr 15, 2010 8:43am Layer: Name: S-3 Plt: 00000005.DWG