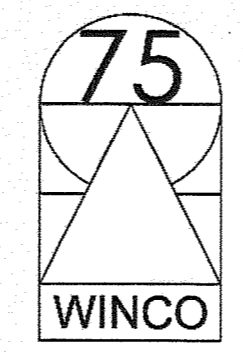


C060376504

WINCO Window Company



Installation Instruction Manual

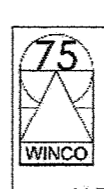
for side load hung Window Series  
4410, 4410S - 4" Thermally Improved Single Hung  
4400, 4500 - 4" Thermally Improved Double Hung

WINCO Installation Instructions  
1-800-525-8089

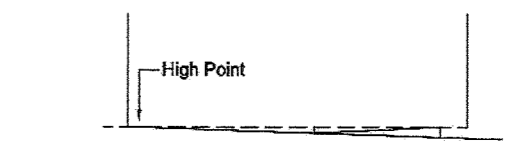
General Product Notes

- Receipt and Inspection of Material
- Product Storage and Protection
- Field Adjustments and/or Modifications
- Cleaning

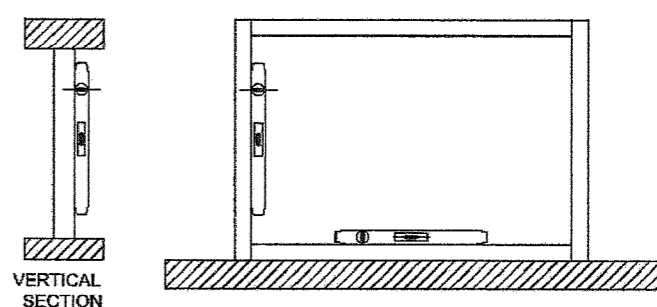
WINCO Installation Instructions - General Notes  
1-800-525-8089



- The rough opening should be checked for the correct size as determined by tolerances listed in the architectural and shop drawings.
- Establish the face of the window line at the head, all end jambs, and the shop drawings. This reference line is to be achieved by using the architectural plans and shop drawings.
- Determine the high point of the masonry sill using a straight line or transit and shim as required. Shim as required. (See below)

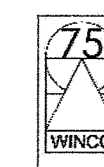


- For proper installation make sure vent is plumb and level. (See below)

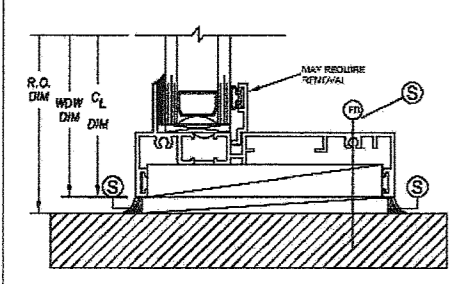


- Prior to installation, aided by the shop drawings, determine the size, type and qty of pan-head fasteners required. Unless specified otherwise, fasteners are to be located not more than 3" from end of frame and intermediate fastener spacing is not to exceed 16" O.C.

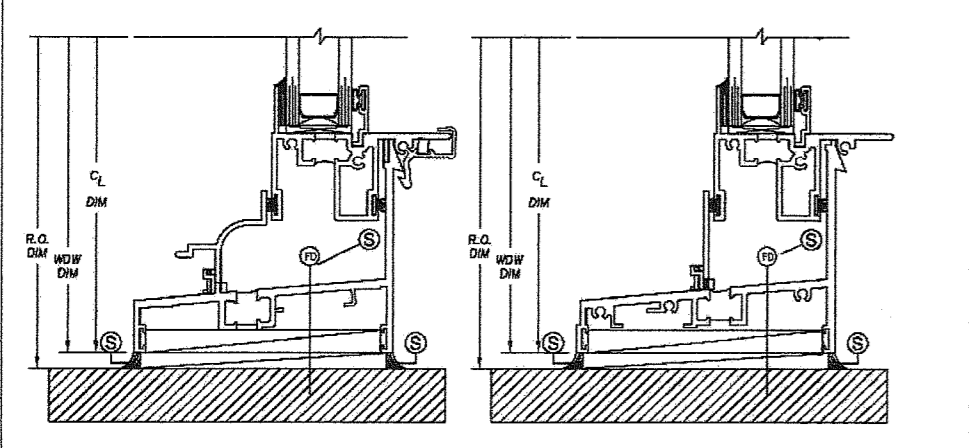
WINCO Installation Instructions - Page 3  
1-800-525-8089



- See diagram below for typical sill anchorage. Note: glazing bead removal and reinstallation may be required. WINCO will not be responsible for any damage to glazing bead, glass breakage and any damage to the frame finish.



- Seal all areas noted below to maintain proper air and water protection as per best reports for WINCO windows.

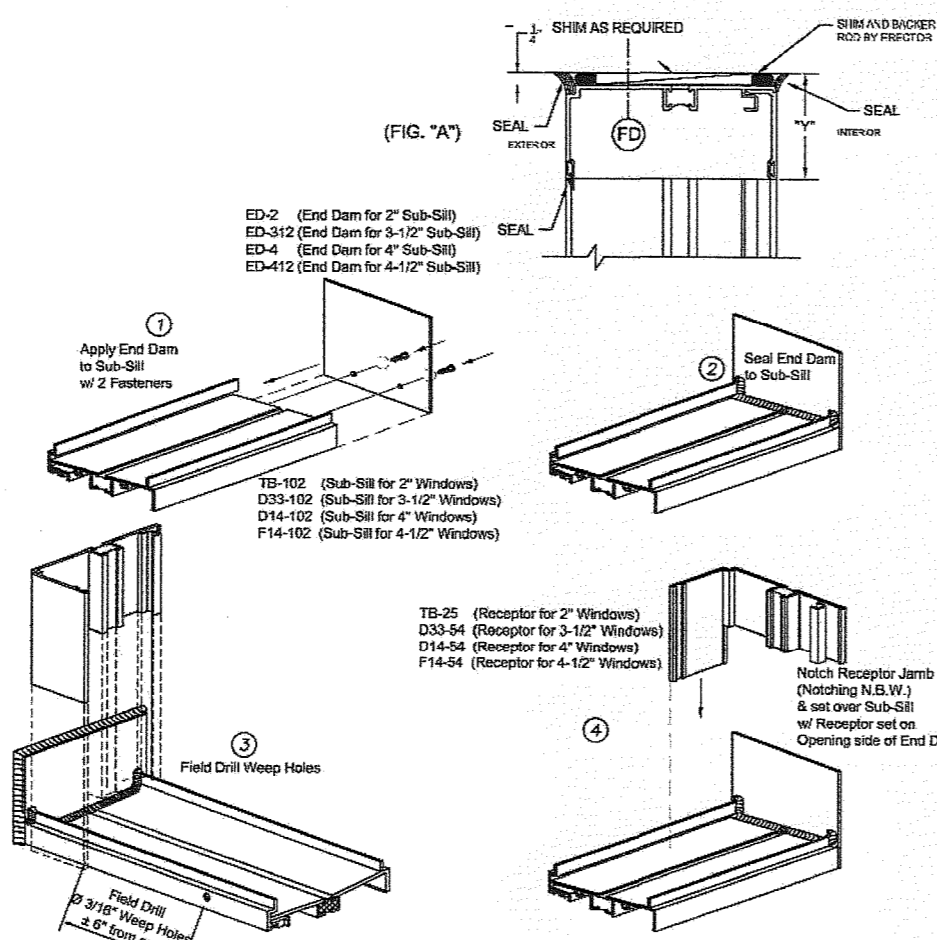


WINCO Installation Instructions - Page 4  
1-800-525-8089

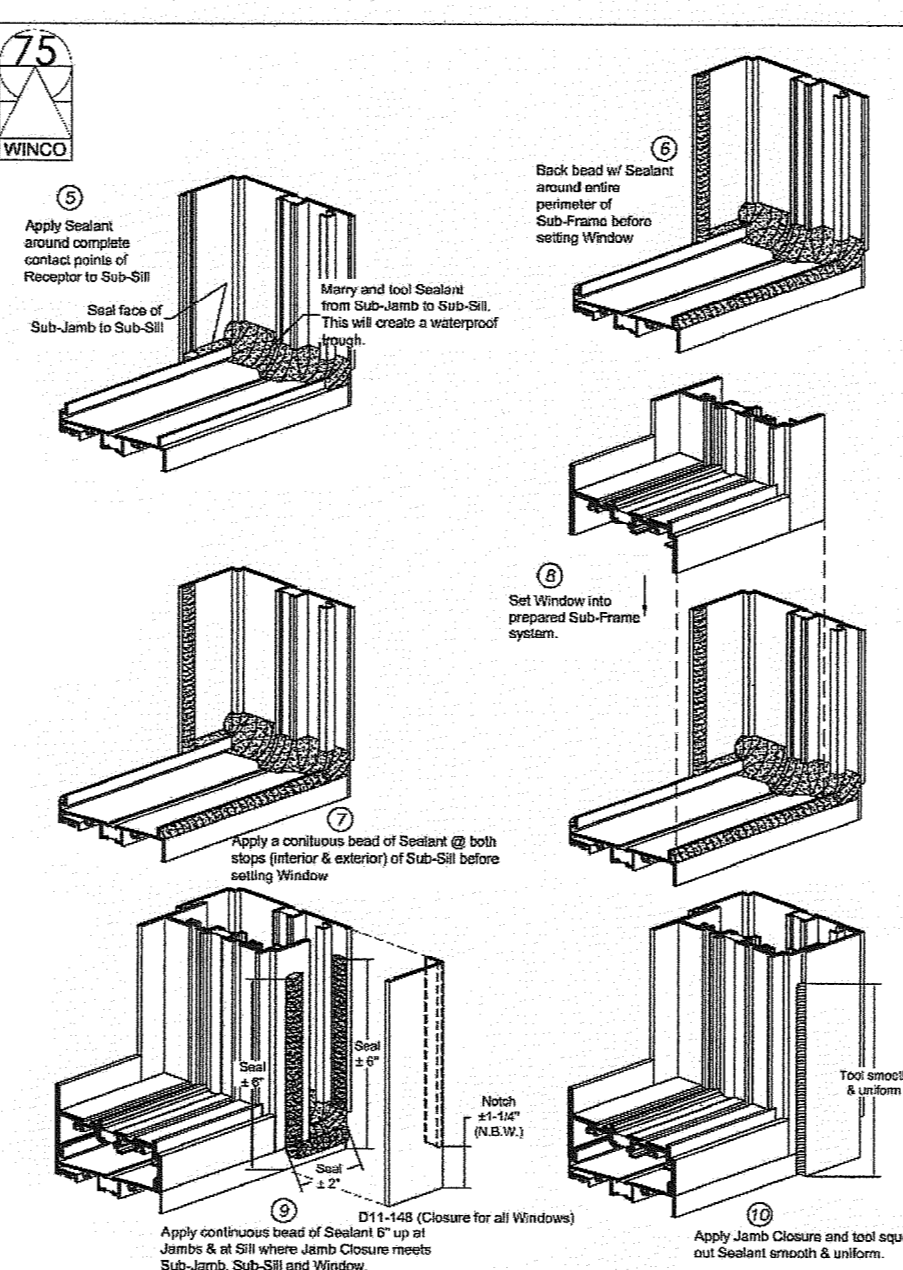
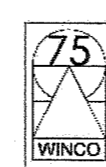


General Installation of Sub-Frame System

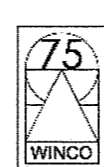
- Measure the opening for the horizontal and vertical opening dimensions. Square out Sub-Sill to measured R.O. minus 3/8" (subtract any shim allowance from this dimension). Cut the Sub-Frame Head and Head Closure to the measured rough opening dimension minus any shim allowance. Trim weather stripping to the appropriate length. Do not stretch weather stripping.
- Subtract the Receptor Sighting ("R") and any shim allowance from the R.O. height. Square out Sub-Frame Jamb and Jamb Closures to the calculated dimension. Note: The receptor jamb at the sill to fit cut-out.



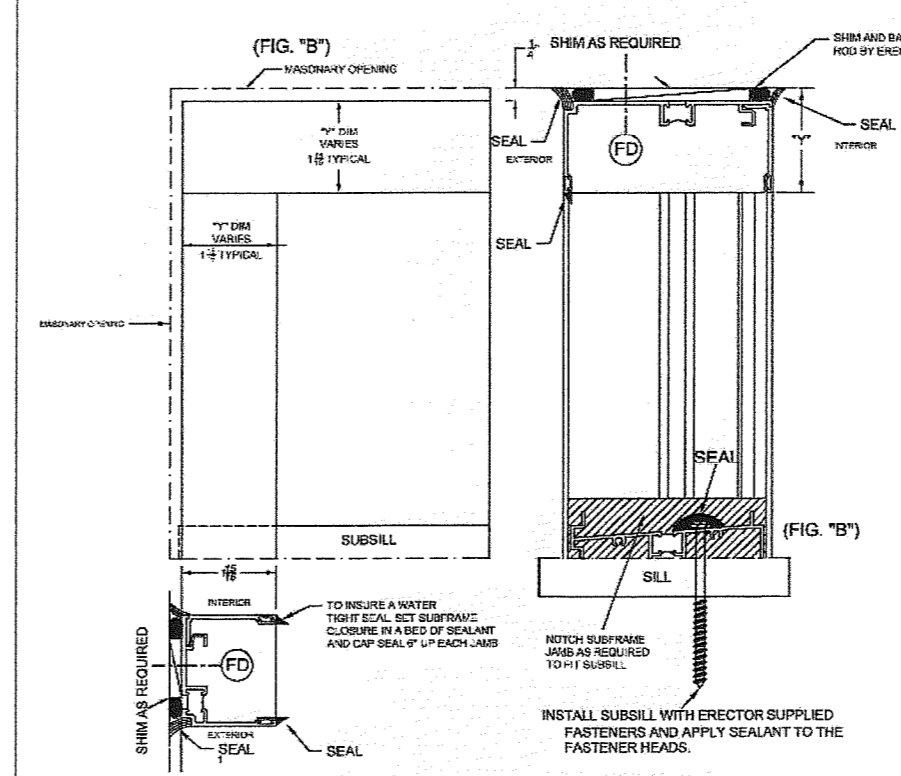
WINCO Installation Instructions - Page 5  
1-800-525-8089



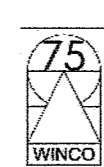
WINCO Installation Instructions - Page 6  
1-800-525-8089



- Install Sub-Frame Jamb level & Plumb, and shim as required. Using the Sub-Frame Jamb as guide, install Sub-Frame Head level & plumb, shim as required. Apply sealant to all fastener heads. Field seal all butt joints. Seal the Sub-Frame to the building around the exterior perimeter as shown in Figure 12 below. All sealant, shims and fasteners are furnished by erector.
- Cleaning compounds used to clean masonry structures are very harmful to our product's applied finishes and will cause permanent staining. These compounds and their residue should be removed immediately with mild soap and water mixture. You may refer to AAMA sections 609.1.85 and 610.7.19 for cleaning and maintenance of aluminum finishes.

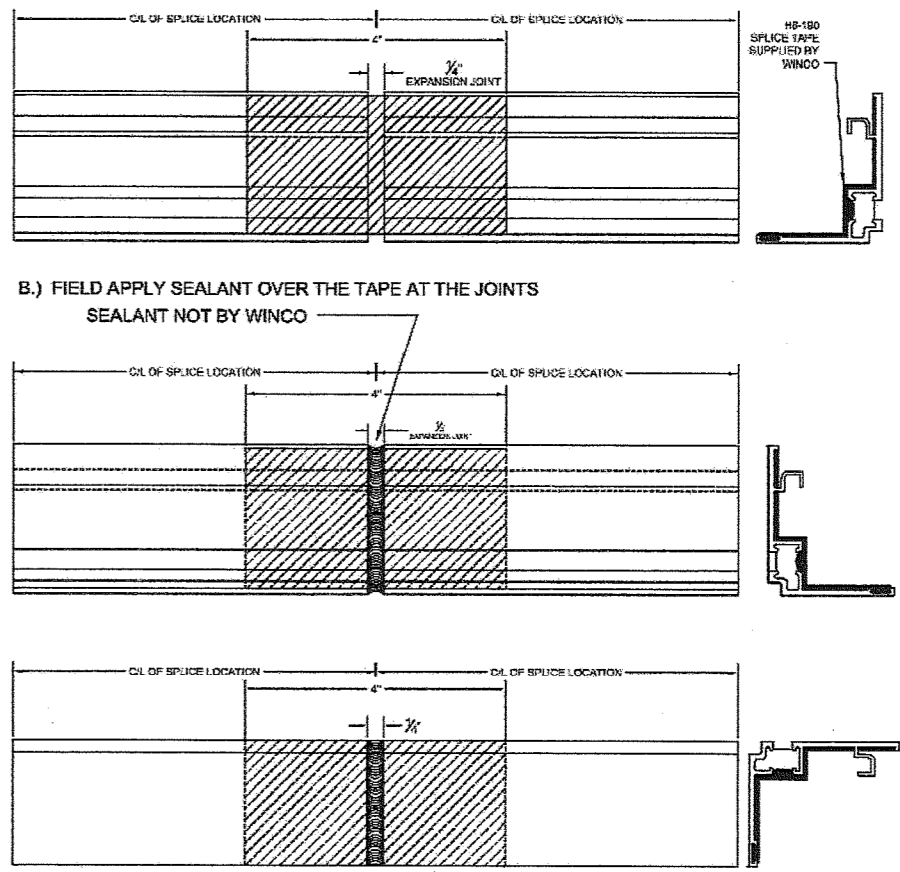


WINCO Installation Instructions - Page 7  
1-800-525-8089

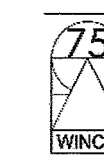


SPlicing SUBJAMBS AND SUBHEAD

- MEASURE OPENING AND REFER TO SHIP DRAWINGS TO DETERMINE SPLICE LOCATIONS. APPLY PERMA-BARRIER (H8-190) SPLICE TAPE AS SHOWN SUPPLIED BY WINCO
- FIELD APPLY SEALANT OVER THE TAPE AT THE JOINTS. SEALANT NOT BY WINCO

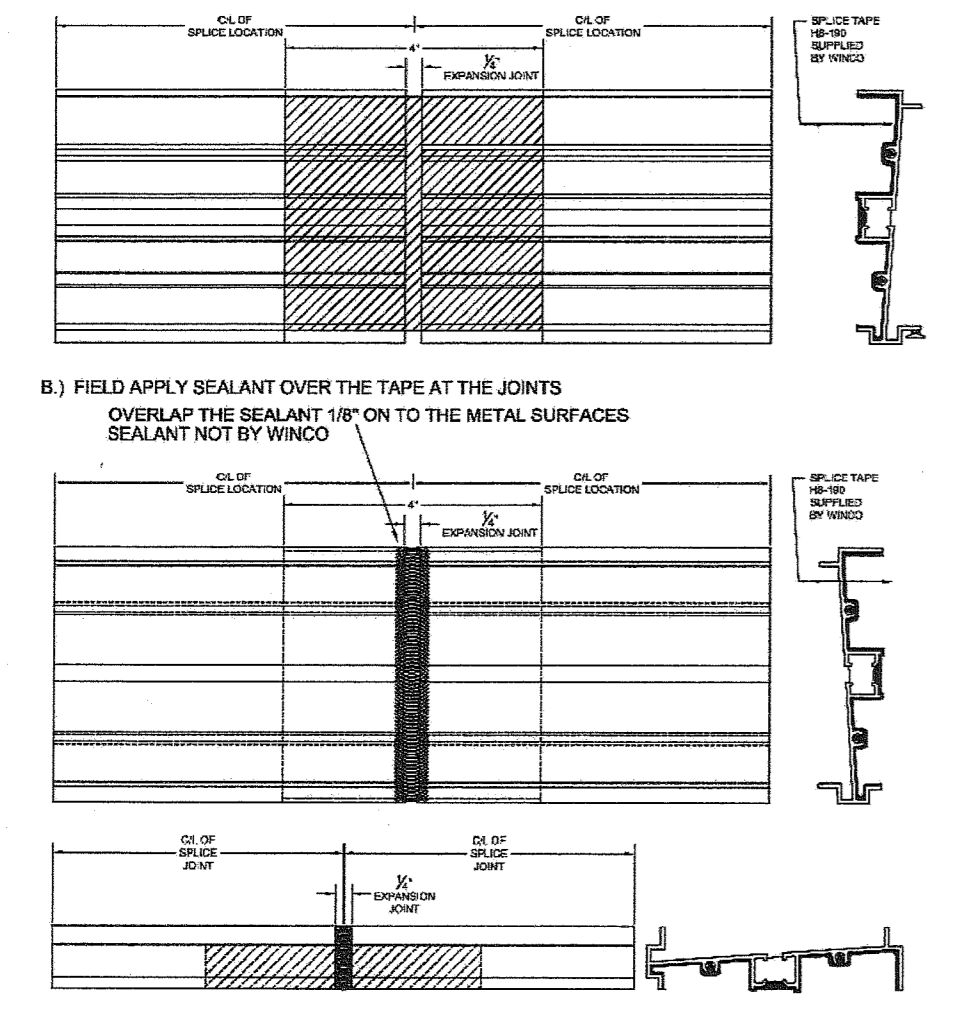


WINCO Installation Instructions - Page 8  
1-800-525-8089



SPlicing SUBSILLS

- MEASURE OPENING AND REFER TO SHIP DRAWINGS TO DETERMINE SPLICE LOCATIONS. FIELD APPLY H8-190 SPLICE TAPE AS SHOWN SUPPLIED BY WINCO
- FIELD APPLY SEALANT OVER THE TAPE AT THE JOINTS. OVERLAP THE SEALANT 1/8" ON TO THE METAL SURFACES. SEALANT NOT BY WINCO

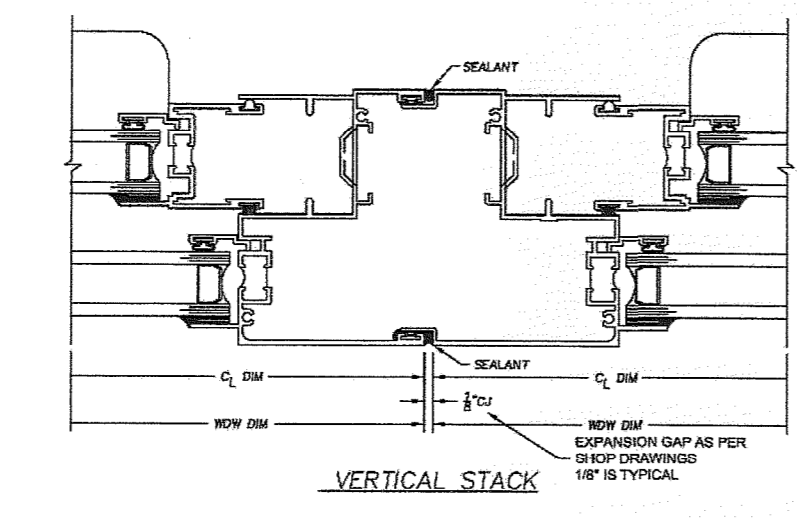


WINCO Installation Instructions - Page 9  
1-800-525-8089



VERTICAL STACK

- Stack the window units together before inserting them into the opening.
- Place units in the opening all to one side. Then after installing the last unit, adjust the windows in the other direction allowing proper stack joint clearance and penetrate joint requirements.

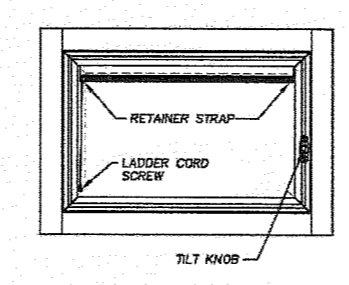


It is critical that both interior & exterior joints are sealed during installation. Back bead both stacking legs with sealant before window installation or cap seal joints after windows are installed.

WINCO Installation Instructions - Page 10  
1-800-525-8089

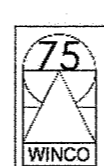


BLIND DROP PROCEDURE



- Open or remove interior panel (access sash).
- Cut and dispose blind retainer straps.
- Remove and dispose screw holding the blind leader cord.
- Carefully lower the blinds with the leader cord.
- Visually inspect the blind case. If necessary adjust any slats that may have been slightly bent due to lowering the blind and/or removing or opening the blind sash.
- Replace / close blind access sash.
- Open and close the blinds a couple of times by turning the tilt knob. This will position the blind slats in the leader cord correctly and will eliminate any slat positions.

WINCO Installation Instructions - Page 11  
1-800-525-8089



Notes:

Notes:

---



---



---



---



---



---



---



---



---



---

WINCO Installation Instructions - Page 12  
1-800-525-8089

DRAWING TITLE  
BLOWER/STORAGE BUILDINGS  
PRODUCT APPROVAL -3  
PROJECT  
SOUTHEAST COUNTY LANDFILL  
LANDFILL GAS COLLECTION  
AND CONTROL SYSTEM

HILLSBOROUGH COUNTY  
SOLID WASTE  
MANAGEMENT DEPARTMENT  
TAMPA, FLORIDA

CLIENT  
SCS ENGINEERS  
STEARNS, CONRAD AND SCHMIDT  
CONSULTING ENGINEERS  
4041 Park Plaza Blvd., Suite 100, Tampa, FL 33610  
PH (813) 821-0808 FAX (813) 823-6777  
FLORIDA CERTIFICATE OF AUTHORIZATION NO. 00004892  
TRCL NO. 03/20/055.00  
DATE: DEC 03/05  
DRAWN BY: EAB  
CHECK BY: EAB  
APP. BY: EAB

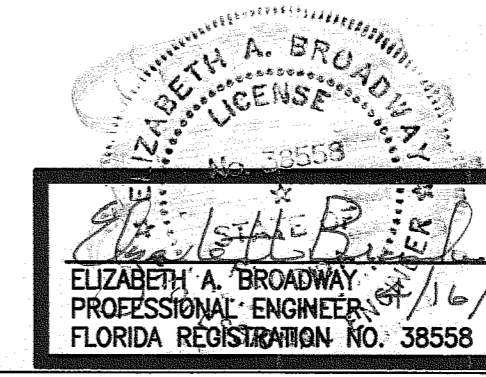
CADD FILE:  
BE-3531 - S-10  
DATE:  
JULY 2008  
SCALE:  
N.T.S.  
DRAWING NO.

S-10 of 30

RECORD DRAWING

DATE: APRIL 15, 2010

THE DATA SHOWN ON THIS SHEET IS FOR INFORMATION PURPOSES ONLY, AND WAS NOT DESIGNED BY BROADWAY ENGINEERING, P.A.



**BROADWAY ENGINEERING, P.A.**  
CIVIL, MECHANICAL, STRUCTURAL AND BUILDING DESIGN  
See Us At: www.Broadway-Eng.Com  
1335 W. Cass Street  
Tampa, Florida 33606 813-251-9244  
For 813-251-8330 Bus. Email: Info@broadway-Eng.Com  
PROFESSIONAL ENGINEER Cook. Email: DCo@broadway-Eng.Com  
BE-3531 Certificate of Authorization No. 4599