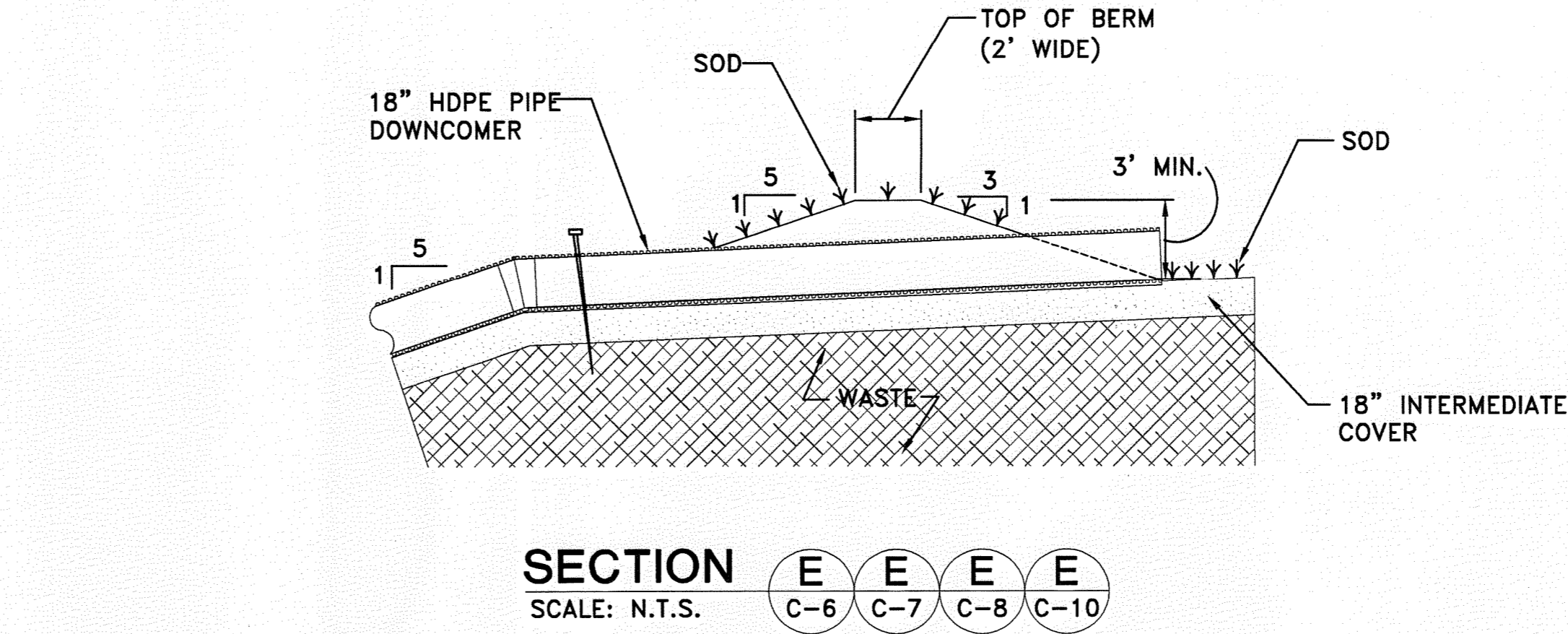
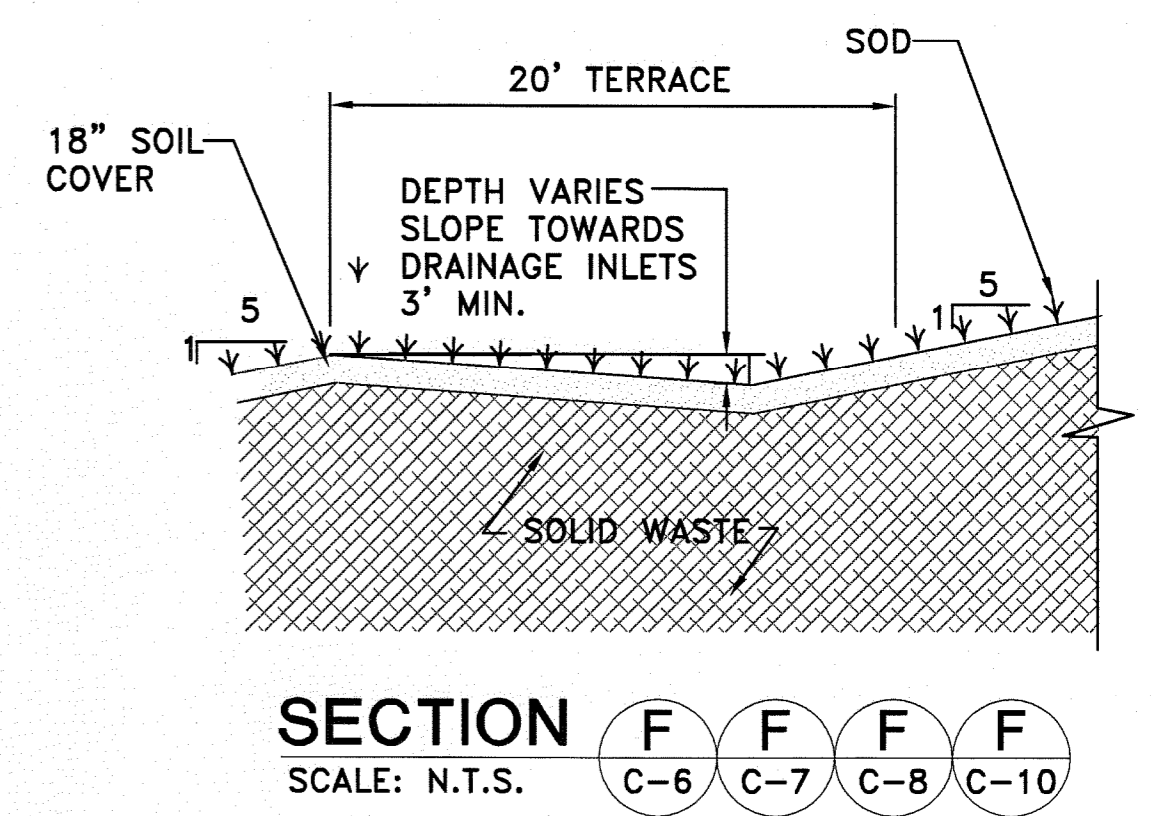


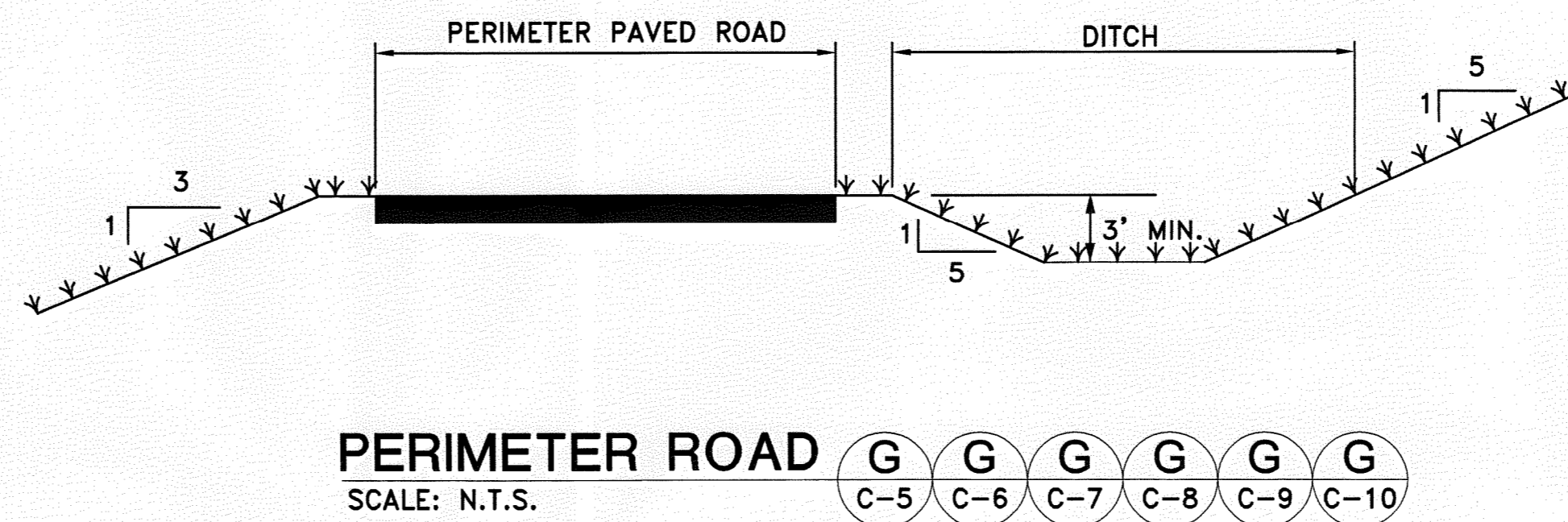
SECTION D D
SCALE: N.T.S. C-7 C-8



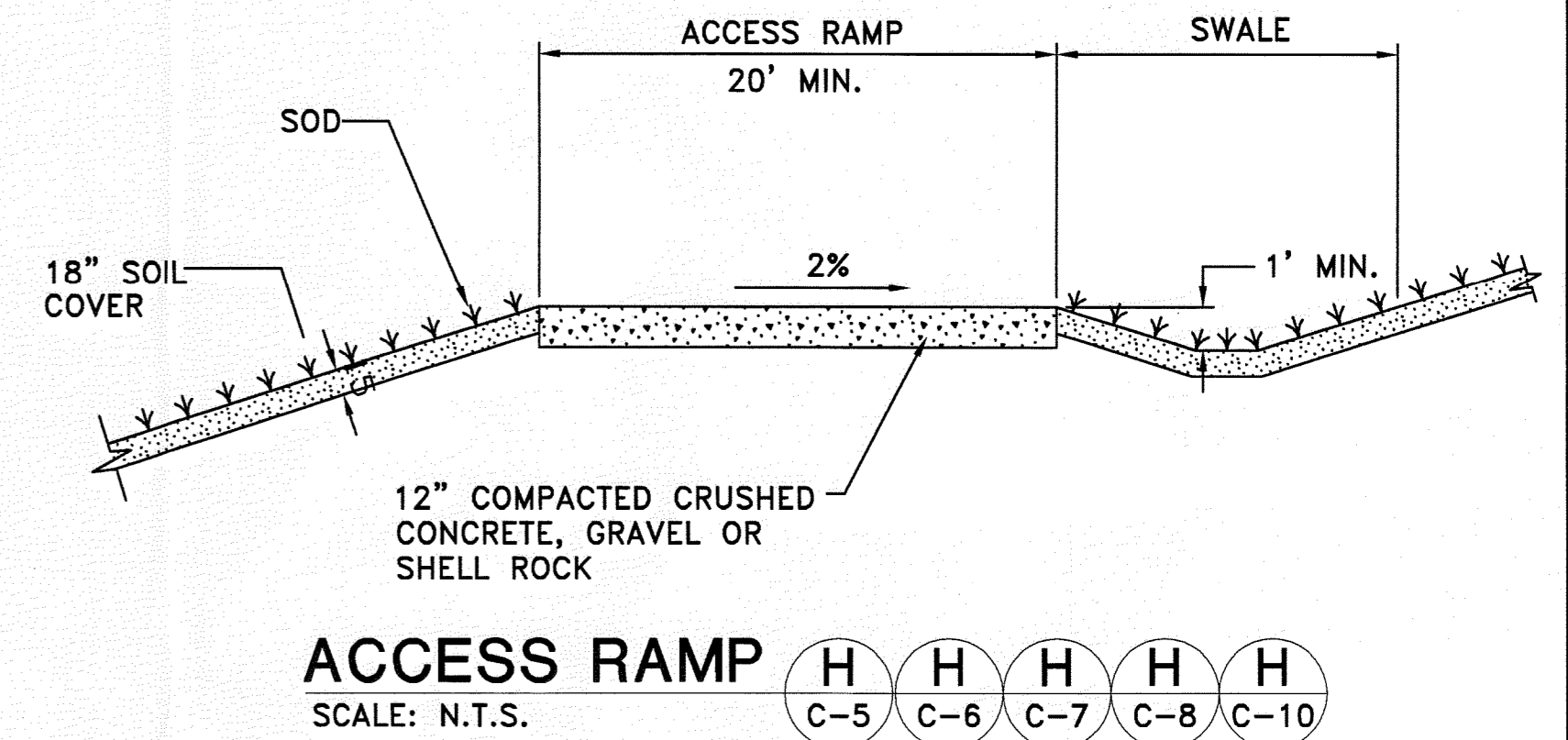
SECTION E E E E
SCALE: N.T.S. C-6 C-7 C-8 C-10



SECTION F F F F
SCALE: N.T.S. C-6 C-7 C-8 C-10

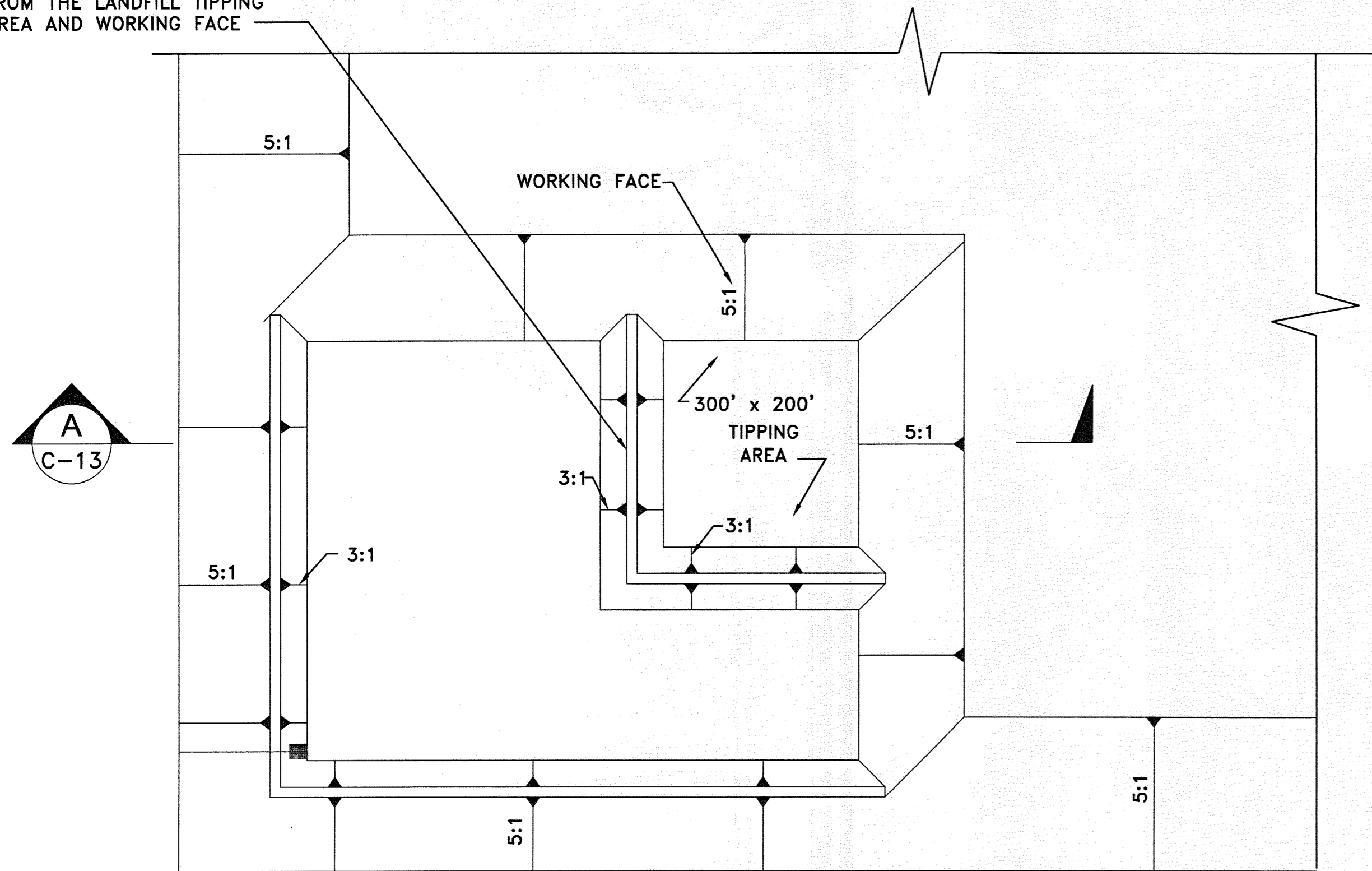


PERIMETER ROAD G G G G G G
SCALE: N.T.S. C-5 C-6 C-7 C-8 C-9 C-10

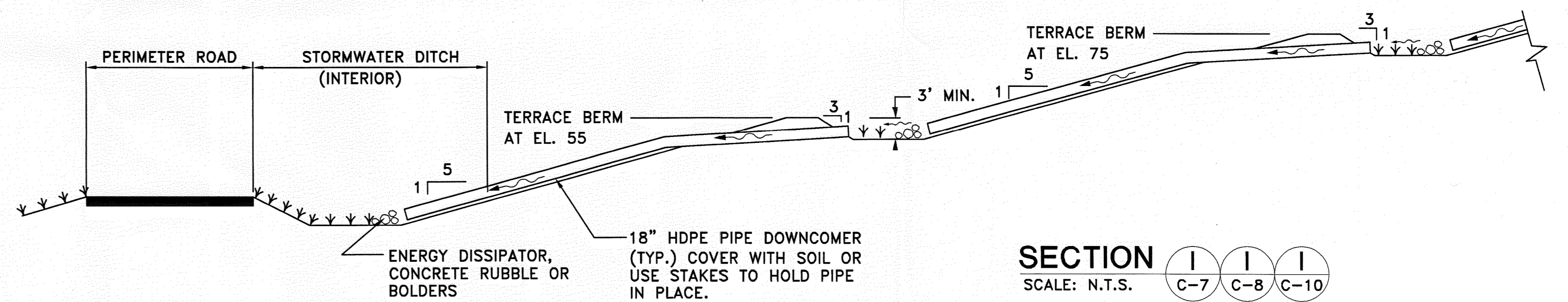


ACCESS RAMP H H H H H
SCALE: N.T.S. C-5 C-6 C-7 C-8 C-10

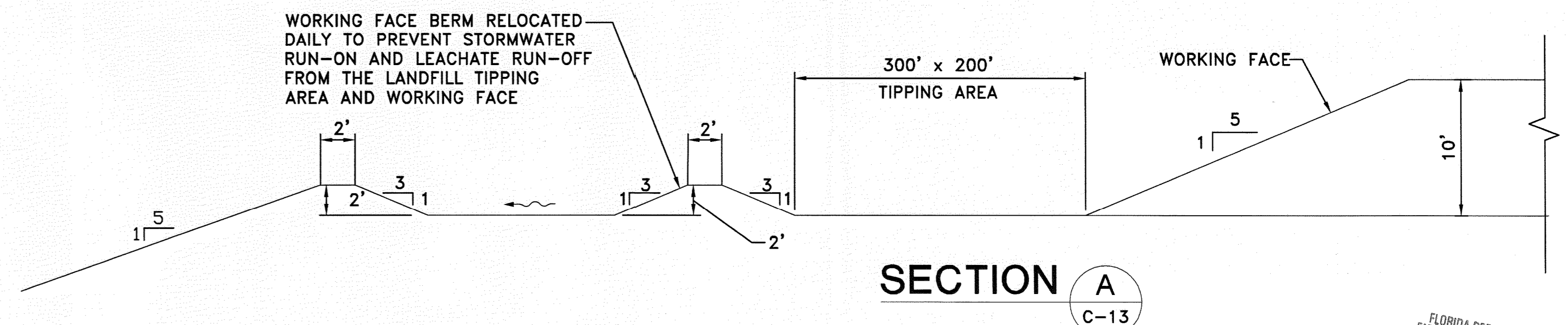
WORKING FACE BERM RELOCATED DAILY TO PREVENT STORMWATER RUN-ON AND LEACHATE RUN-OFF FROM THE LANDFILL TIPPING AREA AND WORKING FACE



PLAN



SECTION I I I
SCALE: N.T.S. C-7 C-8 C-10



SECTION A A
SCALE: N.T.S. C-13

TYPICAL WORKING FACE DETAIL
SCALE: N.T.S.

- ▲ -REVISED "SECTION D" STORMWATER ENERGY DISSIPATOR DETAIL.
- REVISED "SECTION I" TO SHOW THE STORMWATER DOWNCOMERS ABOVE GRADE WITHOUT THE STORMWATER INLETS AND THE ENERGY DISSIPATORS AS CONCRETE RUBBLE OR BOLDERS.
- REVISED "SECTION E" REMOVED TEXT "TEMPORARY".

FLORIDA DEPARTMENT OF ENVIRONMENTAL PROTECTION
MAY 18 2010
SOUTHWEST DISTRICT
TAMPA

C-13



482 South Keller Road
ORLANDO, FL 32810-6101
TEL. (407) 647-7275
FAX. (407) 647-0624
WWW.PBSJ.COM
POST BUCKLEY, SCHUH & JERNIGAN, Inc.
6/2/g/PBS&J
5300 West Cypress Street Suite 200
Tampa, FL 33607
FBPR Certificate of Authorization No.: 24

CLIENT
MANATEE COUNTY BOARD OF COUNTY COMMISSIONERS

PROJECT
LENA ROAD LANDFILL FILL SEQUENCE PLAN

TASK
DETAILS

ORIGINAL NOV. 2009
REVISIONS:
1. JAN. 5, 2010
2.
3.
4.
5.

Name: JOSEPH W. MILLER
Florida Professional Engineer
No. 12827
Address: 482 South Keller Road
Orlando, FL 32810-6101
Phone: (407) 647-7275
Fax: (407) 647-0624
www.pbsj.com

JOB NO. 10008517
DRAWN RGC
DESIGN RGC/JLM
CHECKED JLM
Q.C. DED
SHEET / #